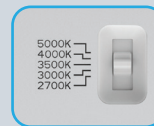


LED SPOTLIGHT-CANLESS MINI PANEL-BAFFLED TRIM 3", 4", 6", 8"



5 CCT SWITCH
ON DRIVER



**CRI
90**

COLOR SELECTABLE

2700K 3000K 3500K 4000K 5000K

DIMMABLE

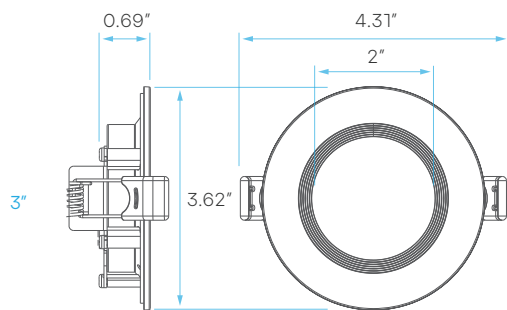
TRIAC

**AIR
TIGHT**

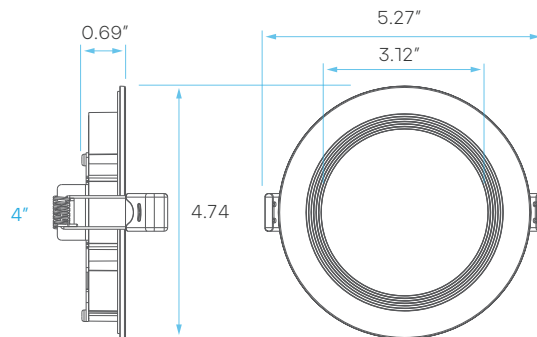
**IC
RATED**

**WET
LOCATION
RATED**

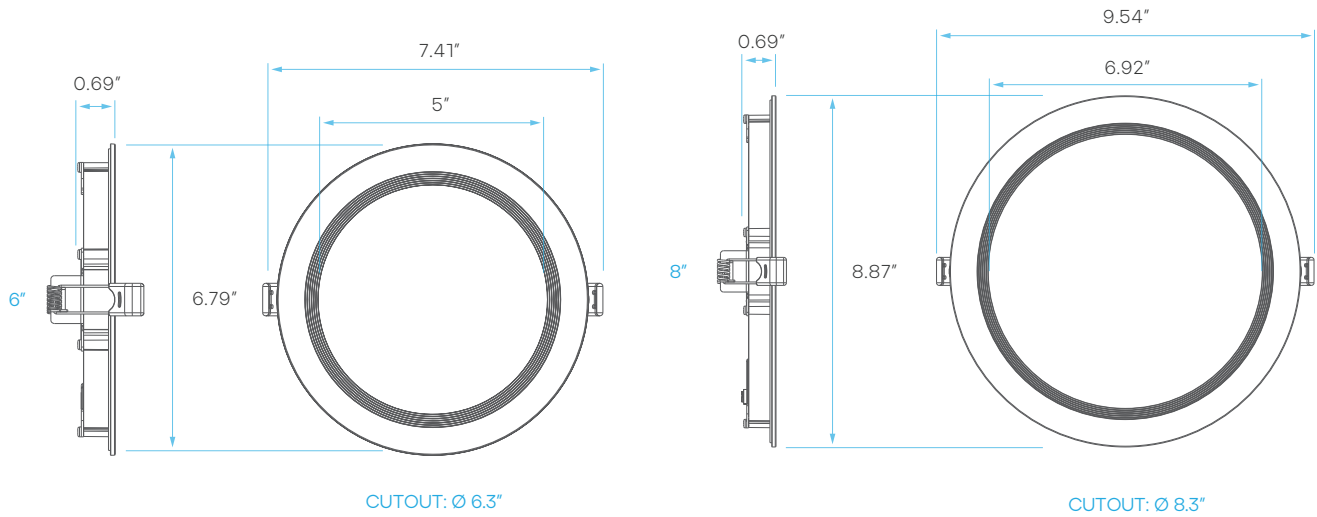
**5
YEAR
WARRANTY**



CUTOUT: Ø 3"



CUTOUT: Ø 4.29"



ELECTRICAL

	MODEL	DESCRIPTION	POWER	INPUT VOLTS	EFFICACY	LIFETIME	COST/YR	
ROUND	3"	LR23730	LED/MINI3/PANEL/5CCT/RD/B	6	120V	83	50,000	\$ 0.72
	4"	LR23731	LED/MINI4/PANEL/5CCT/RD/B	10.5	120V	83	50,000	\$ 1.26
	6"	LR23732	LED/MINI6/PANEL/5CCT/RD/B	14	120V	82	50,000	\$ 1.68
	8"	LR23733	LED/MINI8/PANEL/5CCT/RD/B	23	120V	83	50,000	\$ 2.77

PHOTOMETRIC

MODEL	DESCRIPTION	COLOR (CCT)	TEMP	LUMEN	CRI	UL	TITLE 24	ENERGY STAR	PLATE (KNOCKOUT)
LR23730	LED/MINI3/PANEL/5CCT/RD/B	2700K/3000K/3500K/4000K/5000K	CCT SELECT	500	90	YES	YES	YES	LR41002 (#0) LR41006 (#1) LR41010 (RO)
LR23731	LED/MINI4/PANEL/5CCT/RD/B	2700K/3000K/3500K/4000K/5000K	CCT SELECT	870	90	YES	YES	YES	LR41002 (#1) LR41006 (#3) LR41010 (R1) LR41011 (#4)
LR23732	LED/MINI6/PANEL/5CCT/RD/B	2700K/3000K/3500K/4000K/5000K	CCT SELECT	1150	90	YES	YES	YES	LR41002 (#2) LR41006 (#5) LR41010 (R3)
LR23733	LED/MINI8/PANEL/5CCT/RD/B	2700K/3000K/3500K/4000K/5000K	CCT SELECT	1900	90	YES	YES	YES	

COMPATIBILITY

LR35126
Emergency LED Driver

LR41002
New Construction Mounting Plate

KNOCKOUTS

- #0
- #1
- #2

KNOCKOUT SIZE

- #0 Ø3.14" (Ø80 mm)
- #1 Ø4.33" (Ø110 mm)
- #2 Ø6.29" (Ø160 mm)

LR41006
New Construction Mounting Plate

KNOCKOUTS

- #0
- #1
- #2
- #3
- #4
- #5

KNOCKOUT SIZE

- #0 Ø2.12" (Ø54 mm)
- #1 Ø3.15" (Ø80 mm)
- #2 Ø3.75" (Ø95 mm)
- #3 Ø4.25" (Ø108 mm)
- #4 Ø5.25" (Ø132 mm)
- #5 Ø6.25" (Ø159 mm)

LR41010
New Construction Mounting Plate

KNOCKOUT SIZE

- #L0 Ø2.12" (Ø54 mm)
- #L1 Ø2.83" (Ø72 mm)
- #L2 Ø3.75" (Ø95 mm)

KNOCKOUTS

- #0
- #1
- #2
- #3

KNOCKOUT SIZE

- #R0 Ø3.25" (Ø82 mm)
- #R1 Ø4.33" (Ø110 mm)
- #R2 Ø5.25" (Ø132 mm)
- #R3 Ø6.25" (Ø160 mm)

LR41011
New Construction Mounting Plate

KNOCKOUTS

- #0
- #1
- #2
- #3
- #4

KNOCKOUT SIZE

- #0 Ø2.48" (Ø63 mm)
- #1 Ø2.83" (Ø72 mm)
- #2 Ø3.34" (Ø85 mm)
- #3 Ø3.74" (Ø95 mm)
- #4 Ø4.25" (Ø108 mm)