

UNIDRIVER[®]

UniDriver Series Dimmable LED Driver

200W LDS200W-4002 120-277V UniDriver Series - Constant Voltage



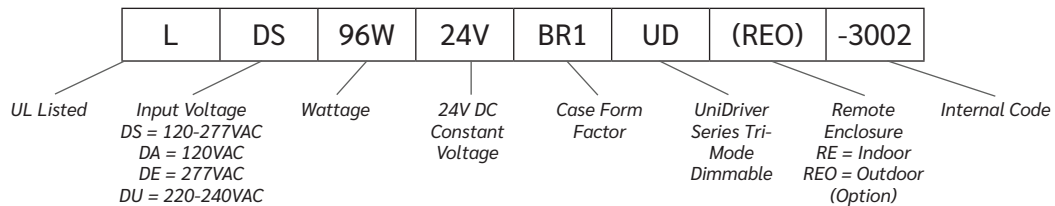
Efficiency	> 80%
Power Factor	> 0.9
Case TC	90C° Max.
Protection	Input / Output
Storage	-30°C / +90°C
Humidity	95% RH Max.
IP Rating	IP 67
Class	Class 2 Power Supply
Dimming	0-10V, TRIAC, ELV



Features:

- Universal Input 120V-277V AC 50/60Hz
- True Tri Mode Dimming at all input voltages: 0-10V, ELV & Triac
- Smooth, flicker free dimming 100%-0.1%
- Title 24 Compliant, AAA rating
- Isolated output power per NEC and UL safety requirements
- UL & ETL recognized/listed, meets UL 8750, 1310 requirements
- Auto-reset; short circuit, overload and thermal protection
- Low profile, small form factor, junction box mountable
- Efficient, high power factor > 0.90

MODEL NUMBER KEY (Constant Voltage)



This device complies with Part 15 of the FCC Rules. Operation is subject to the following two conditions: (1) this device may not cause harmful interference, and (2) this device must accept any interference received, including interference that may cause undesired operation.

General Specifications:

Constant Voltage

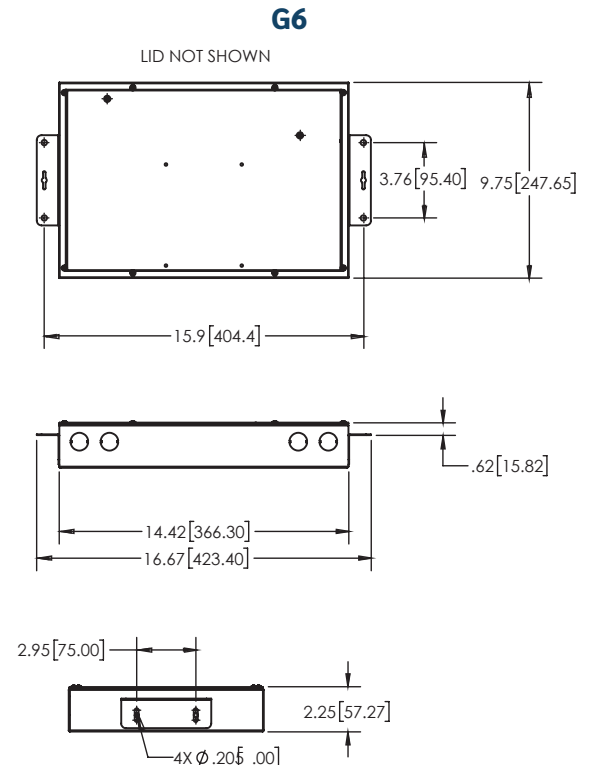
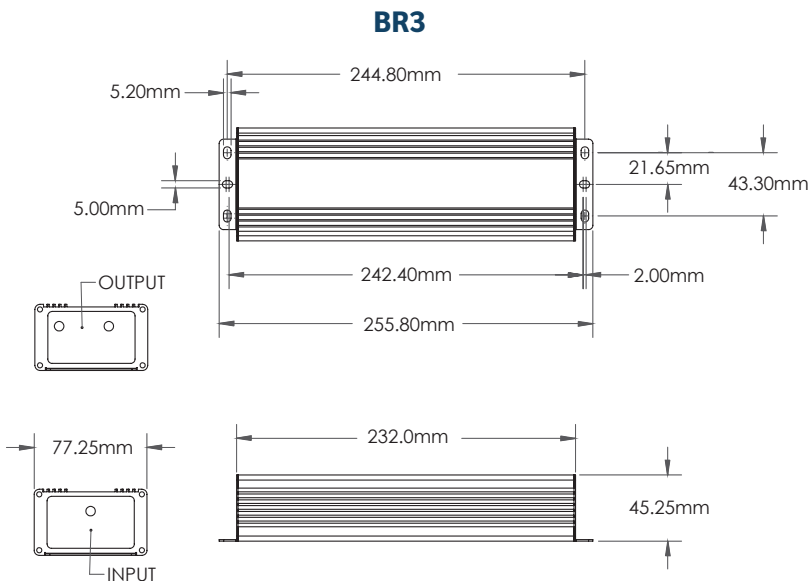
Model #	Input Voltage	Wattage	Output Voltage	Load	Form Factor
LDS200W12VBR3UD-4002	120-277V AC, 2.13A, 50/60Hz	200W	12V DC	12V DC LED, 16.67A Max.	BR3
LDS200W24VBR3UD-4002			24V DC	24V DC LED, 8.33A Max.	
LDS200W48VBR3UD-4002			48V DC	48V DC LED, 4.17A Max.	

Constant Voltage with Remote Enclosure

Model #	Input Voltage	Wattage	Output Voltage	Load	Form Factor
LDS200W12VBR3UDREO-4002	120-277V AC, 2.13A, 50/60Hz	200W	12V DC	12V DC LED, 16.67A Max.	G6
LDS200W24VBR3UDREO-4002			24V DC	24V DC LED, 8.33A Max.	
LDS200W48VBR3UDREO-4002			48V DC	48V DC LED, 4.17A Max.	

Mechanical Specifications

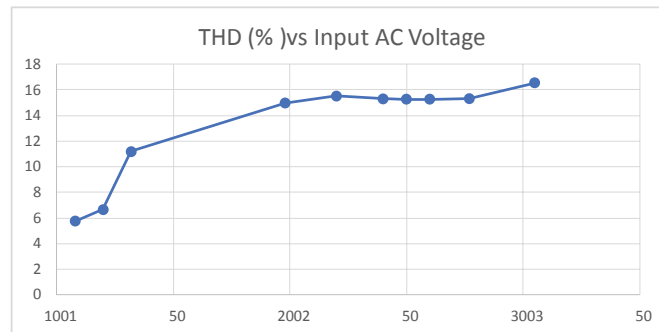
Available Form Factors	Dimensions
BR3	256 (232) x 77 x 45 mm
G6	424 x 248 x 58 mm



Electrical Characteristics

Full Power, No Dimming

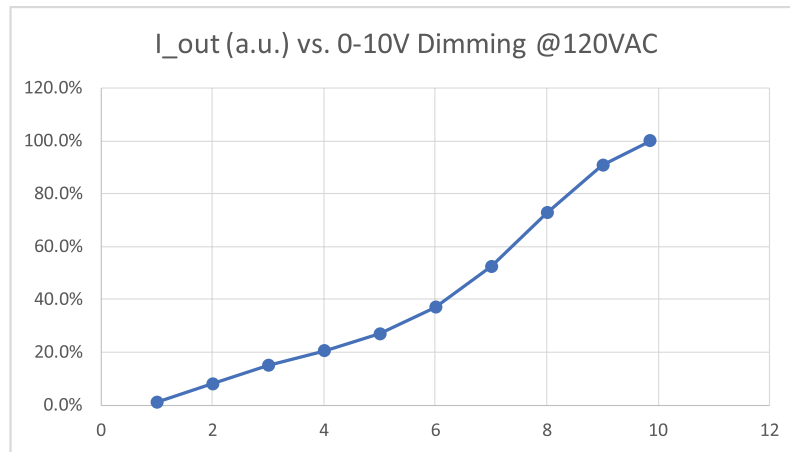
VAC	I _{in} (mA)	P _{in} (W)	PF	THD %	V _{out} (V)	I _{out} (mA)	IFP (min.)	IFP (max)	P _{out} (W)	Effi.	Flicker
108	2134.6	225.70	.996	5.76	23.96	8153	7860	8400	195.35	86.6%	3.3%
120	1905.5	223.70	.997	6.65	23.97	8165	7860	8400	195.72	87.5%	3.3%
132	1733.2	223	0.992	11.18	23.96	8158	7920	8400	195.47	87.7%	2.9%
198	1193.2	220.90	.982	14.98	23.97	8158	7920	8400	195.55	88.5%	2.9%
220	1066.3	219.84	0.979	15.52	23.97	8158	7920	8400	195.55	88.9%	2.9%
240	969.7	218.92	0.977	15.3	23.96	8158	7920	8400	195.47	89.3%	2.9%
250	928.9	218.70	.976	15.28	23.96	8158	7920	8400	195.47	89.4%	2.9%
260	890.9	218.50	.975	15.28	23.97	8158	7920	8400	195.55	89.5%	2.9%
277	831.9	217.90	.971	15.32	23.97	8158	7920	8400	195.55	89.7%	2.9%
305	756.8	217.60	.96	16.56	23.97	8170	7960	8420	195.83	90.0%	2.8%



Dimming Characteristics

120V AC 0-10V Dimming

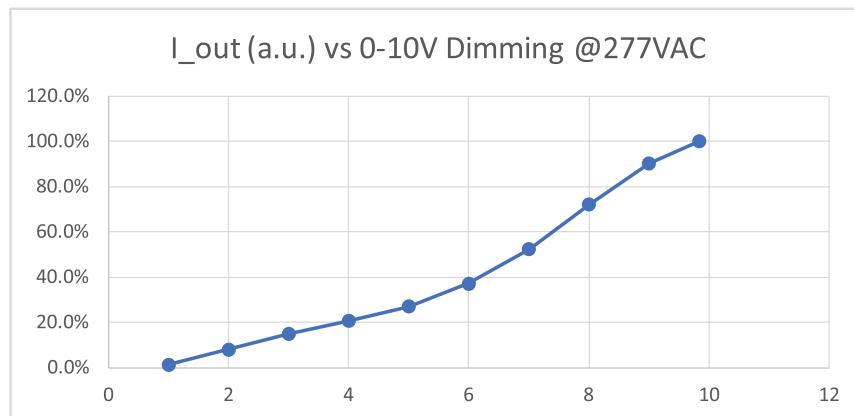
Dim V	I _{in} (mA)	P _{in} (W)	PF	THD %	V _{out} (V)	I _{out} (mA)	IFP (min.)	IFP (max)	P _{out} (W)	Effi.	Flicker	PWM
9.84	1889.5	221.9	0.996	6.89	23.96	8081	7920	8300	193.62	87.3%	2.3%	0.12
9	1718.2	201.4	0.993	101	22.66	7330	0	8580	166.10	82.5%	100.0%	0.8
8	1377.3	161.6	0.993	10.76	20.18	5880	0	8580	118.66	73.4%	100.0%	0.8
7	1002.3	117.3	0.989	13.91	17.34	4230	0	8580	73.35	62.5%	100.0%	0.8
6	724.8	84.55	0.985	15.88	15.15	2990	0	8580	45.30	53.6%	100.0%	0.8
5	541.9	62.95	0.981	17.85	13.65	2170	0	8580	29.62	47.1%	100.0%	0.8
4	430.6	41.09	0.978	18.11	12.69	1658	0	8580	21.04	0.5%	100.0%	0.8
3	327.8	37.9	0.971	19.07	11.84	1210	0	8580	14.33	37.8%	100.0%	0.8
2	199.3	22.8	0.961	22.11	10.65	640	0	8580	6.82	29.9%	100.0%	0.8
1	70.1	7.23	0.863	45.2	9.61	80	0	8580	0.7688	10.6%	100.0%	0.8
0	50.7	4.37	0.757	61.35	0	0		0	0	0.0%		0



Dimming Characteristics

277V AC 0-10V Dimming

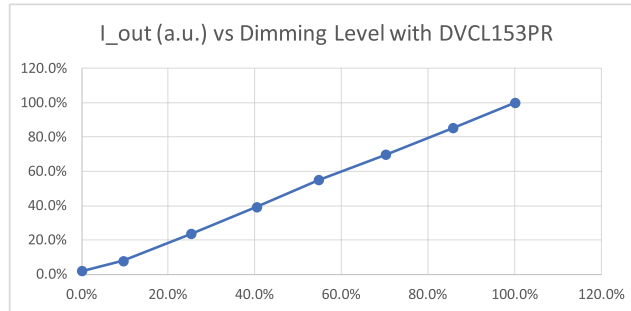
Dim V	I _{in} (mA)	P _{in} (W)	PF	THD %	V _{out} (V)	I _{out} (mA)	IFP (min.)	IFP (max)	P _{out} (W)	Effi.	Flicker	PWM
9.84	831.9	217.9	0.971	15.32	23.96	8140	7960	8420	195.03	89.5%	2.8%	0.12
9	750.5	196.1	0.969	15.47	22.51	7340	0	8580	165.22	84.3%	100.0%	0.8
8	608.4	158.1	0.964	15.63	20.02	5868	0	8580	117.48	74.3%	100.0%	0.8
7	448.8	115.6	0.956	16.02	17.22	4260	0	8580	73.36	63.5%	100.0%	0.8
6	327.5	83.25	0.934	16.95	15.01	3010	0	8580	45.18	54.3%	100.0%	0.8
5	249.8	62.53	0.92	17.89	13.53	2200	0	8580	29.77	47.6%	100.0%	0.8
4	200	49.4	0.903	19.56	12.56	1680	0	8580	21.10	42.7%	100.0%	0.8
3	157.2	37.5	0.875	22.3	11.73	1210	0	8580	14.19	37.8%	100.0%	0.8
2	103.7	22.8	0.804	29.98	10.55	640	0	8580	6.75	29.6%	100.0%	0.8
1	48.9	7.09	0.563	61.11	9.55	95	0	8580	0.91	12.8%	100.0%	0.8
0	37.6	3.73	0.409	70.5	4.09	0		0	0.00	0.0%		0



Dimming Characteristics

CL Dimming (DVCL-153PR)

Dim %	I _{in} (mA)	P _{in} (W)	PF	V _{out} (V)	I _{out} (mA)	IFP (min.)	IFP (max.)	P _{out} (W)	Effi.	Flicker	PWM
100	2007.2	224.1	0.95	23.97	8120	7920	8300	194.64	86.9%	2.3%	0.12
85	1825	192	0.894	21.9	6930	0	8580	151.77	79.0%	100.0%	0.8
70	1556.2	157.2	0.866	19.75	5670	0	8580	111.98	71.2%	100.0%	0.8
55	1279.5	122.5	0.819	17.55	4470	0	8580	78.45	64.0%	100.0%	0.8
40	1044.7	90.5	0.744	15.43	3180	0	8580	49.07	54.2%	100.0%	0.8
25	809.7	56.5	0.61	13.1	1920	0	8580	25.15	44.5%	100.0%	0.8
10	513.8	21.45	0.362	10.58	624	0	8580	6.60	30.8%	100.0%	0.8
0	279	7.71	0.244	9.75	161	0	8580	1.57	20.4%	100.0%	0.8



ELV Dimming (SELV-300P)

Dim %	I _{in} (mA)	P _{in} (W)	PF	V _{out} (V)	I _{out} (mA)	IFP (min.)	IFP (max.)	P _{out} (W)	Effi.	Flicker	PWM
100	1920.1	225.4	0.997	23.98	8143	7920	8380	195.27	86.6%	2.8%	0.12
85	1869.2	192.4	0.874	21.84	6900	0	8580	150.70	78.3%	100.0%	0.8
70	1580.5	157.2	0.845	19.71	5650	0	8580	111.36	70.8%	100.0%	0.8
55	1290.7	119.6	0.787	17.35	4280	0	8580	74.26	62.1%	100.0%	0.8
40	1064.5	89.4	0.711	15.38	3121	0	8580	48.00	53.7%	100.0%	0.8
25	839.6	56.7	0.571	13.11	1880	0	8580	24.65	43.5%	100.0%	0.8
10	583.8	24.4	0.353	10.77	714	0	8580	7.69	31.5%	100.0%	0.8
0	189.6	4.74	0.209	9.5	60	0	8580	0.57	12.0%	100.0%	0.8

