

Constant Voltage Magnetic Phase Dimmable 12/24VAC AC Transformer

P/N: M

The AC-SERIES is the most compact magnetic core dimmable transformer on the market making it the perfect choice for landscape and other indoor or outdoor lighting applications. Encased in a high-quality metal enclosure that includes multiple 3/8" knock-outs for easy installation, each unit is equipped with circuit breakers to protect both the driver and the load. All of our magnetic transformers are phase dimmable with a standard leading edge MLV TRIAC dimmer.

- Installation:** Integrated Junction Box with Multiple 3/8" Knock-outs
- Driver Type:** Class 2 and Higher Power Single Tap Options
- Dimming:** Phase Dimmable with Leading (Forward) Edge MLV TRIAC Dimmer Only
- Input Voltage:** 277VAC, 50/60Hz
- Output Voltage:** 12VAC or 24VAC
- Environmental:** Dry and Damp
- Listing:** ETL Listed
- Certifications:** Conforms to UL8750, C22.2 NO. 223
- Warranty:** 5-Year Warranty



AC-SERIES is also available in:

- AC-SERIES 120VAC

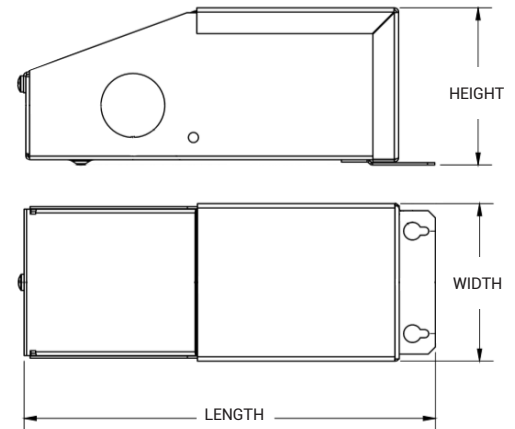
Refer to Magnitudeinc.com for more details.

Ordering Guide with Auto Reset Breakers

Example: M20L12-277

M L - 277

TYPE	MAX POWER	LISTING	OUTPUT	INPUT
M - Magnetic	20 ¹ - 20W (Class 2) 40 ¹ - 40W (Class 2) 60 ¹ - 60W (Class 2) 96 ^{1, 2} - 96W (Class 2)	L - ETL Listed	12 - 12VAC 24 - 24VAC	277 - 277VAC
	¹ Class 2 ² 24VAC only			



Ordering Guide with Manual Reset Breakers

Example: M150SOD-277

M S - 277

TYPE	MAX POWER	OUTPUT
M - Magnetic	150 - 150W 200 - 200W 300 - 300W 500 - 500W	OD - 12VAC
M - Magnetic	150 - 150W 200 - 200W 300 - 300W 500 - 500W	24OD - 24VAC

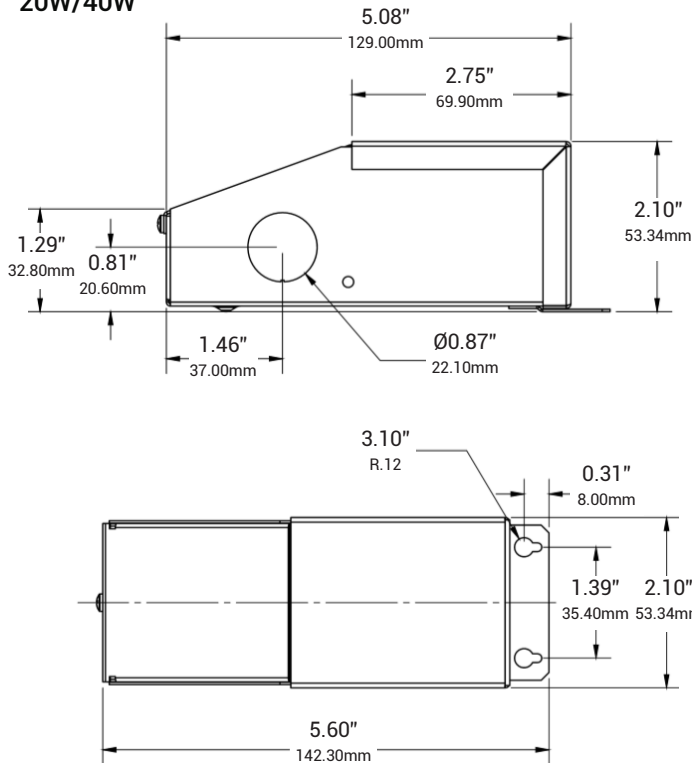
DIMENSIONS	20W / 40W	60W	150W / 200W	300W	500W
LENGTH	5.60" (142.2mm)	6.55" (166.37mm)	9.80" (248.9mm)	9.80" (248.9mm)	10.50" (266.7mm)
WIDTH	2.10" (53.34mm)	2.55" (64.77mm)	3.00" (76.2mm)	4.20" (106.7mm)	4.62" (117.4mm)
HEIGHT	2.10" (53.34mm)	2.55" (64.77mm)	3.00" (76.2mm)	3.50" (88.9mm)	4.26" (108.2mm)

Specifications

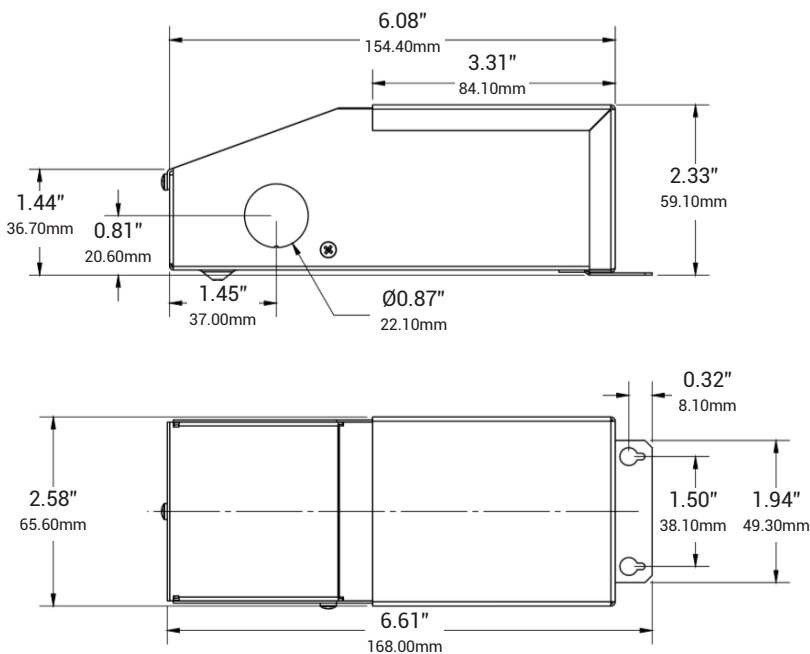
INPUT								
Input Voltage Range	277VAC ± 5%							
Input Frequency	50 / 60Hz	50 / 60Hz	50 / 60Hz	50 / 60Hz	50 / 60Hz	50 / 60Hz	50 / 60Hz	50 / 60Hz
Input Current	0.195A (12VAC) 0.195A (24VAC)	0.36A (12VAC) 0.35A (24VAC)	0.54A (12VAC) 0.54A (24VAC)	0.54A	1.27A (12VAC) 1.27A (24VAC)	1.66A (12VAC) 1.66A (24VAC)	2.5A (12VAC) 2.5A (24VAC)	
Efficiency	> 89.8% (12VAC) 88.61 (24VAC)	> 90.3% (12VAC) > 88.6% (24VAC)	> 89.2% (12VAC) > 90.5% (24VAC)	> 91.2%	> 91.5%	> 91.5%	> 92.0%	
OUTPUT								
Max Load	20W	40W	60W	96W	150W	200W	300W	500W
Output Voltage @ Max Load	11.4 VAC 23.0 VAC	11.4 VAC 23.0 VAC	11.5 VAC 23.0 VAC	23.0 VAC	11.5 VAC 23.0 VAC	11.5 VAC 12.5 VAC Boost 23.0 VAC 25.0 VAC Boost	11.5 VAC 12.5 VAC Boost 23.0 VAC 25.0 VAC Boost	MAGNITUDE TO PROVIDE 500W DATA
Output Current @ Max Load	1.65A (12VAC) 850mA (24VAC)	3.32A (12VAC) 1.60A (24VAC)	4.80A (12VAC) 2.17A (24VAC)	4.30A	12.50A (12VAC) 6.25A (24VAC)	12.50A (12VAC) 10.90A (24VAC)	25.00A (12VAC) 12.50A (24VAC)	
Open Circuit Output Voltage	12.5 VAC 25.0 VAC	12.5 VAC 25.0 VAC	12.5 VAC 25.0 VAC	25.0 VAC	12.5 VAC 23.0 VAC	12.5 VAC 13.5 VAC Boost 23.0 VAC 25.0 VAC Boost	12.5 VAC 13.5 VAC Boost 23.0 VAC 25.0 VAC Boost	24.0 VAC
ENVIRONMENTAL								
Operating Temperature	-30°C - +50°C (-22°F - 122°F)							
Min. Installation Spacing	5"							5"
Thermal Class	B130°C							B130°C
DIMMING								
Minimum Dimming Level	1%							
PROTECTION								
Circuit Breaker	Secondary Manual Push to Reset							
MECHANICAL HOUSING								
Primary Leads	18 AWG	18 AWG	18 AWG	18 AWG	18 AWG	18 AWG	18 AWG	
Secondary Leads	16 AWG (12VAC) 18 AWG (24VAC)	16 AWG (12VAC) 18 AWG (24VAC)	14 AWG (12VAC) 16 AWG (24VAC)	14 AWG	12 AWG (12VAC) 14 AWG (24VAC)	12 AWG	12 AWG	
Length	5.60" (142.2mm)	5.60" (142.2mm)	6.55" (168.0mm)	6.62" (168.0mm)	9.80" (248.9mm)	9.80" (248.9mm)	9.80" (248.9mm)	10.50" (266.7mm)
Width	2.10" (53.34mm)	2.10" (53.34mm)	2.55" (64.8mm)	2.58" (65.6mm)	3.00" (76.2mm)	3.00" (76.2mm)	4.20" (106.7mm)	4.62" (117.4mm)
Height	2.10" (53.34mm)	2.10" (53.34mm)	2.55" (64.8mm)	2.33" (59.1mm)	3.00" (76.2mm)	3.00" (76.2mm)	3.50" (88.8mm)	4.26" (108.2mm)
Weight	35oz (990g)	35oz (990g)	50oz (1.4kg)	50oz (1.4kg)	87oz	87oz	140oz	
Housing Material	Coated Metal							
Housing Color	Black							
Junction Box	Yes							
Mounting	Two hole flange mount							
APPROVAL MARKINGS								
Certificates / Approval Signs	ETL Listed, conforms to UL8750							

Mechanical Diagram

20W/40W

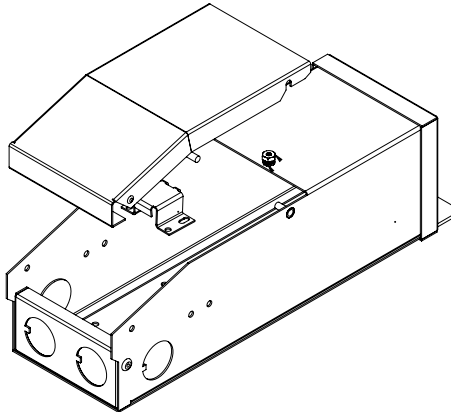
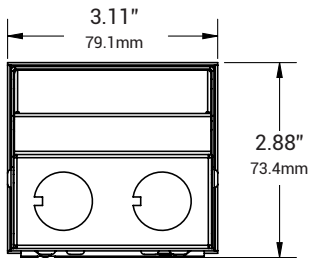
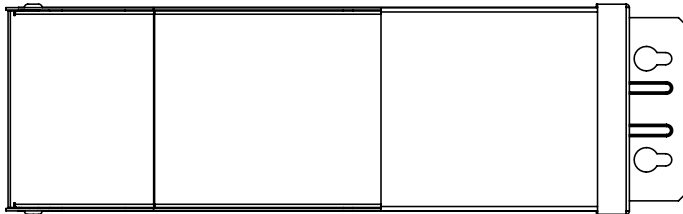
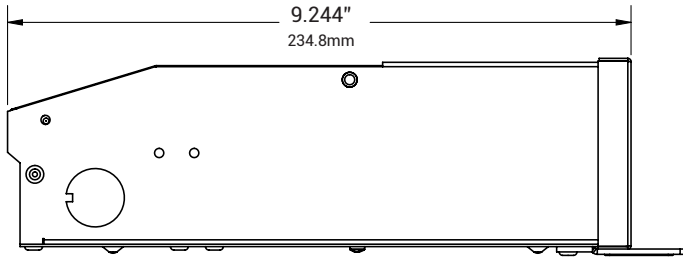


60W/96W



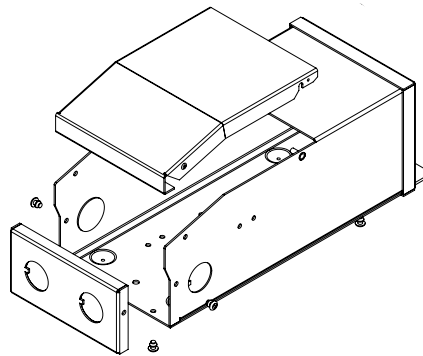
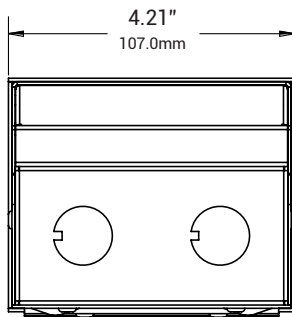
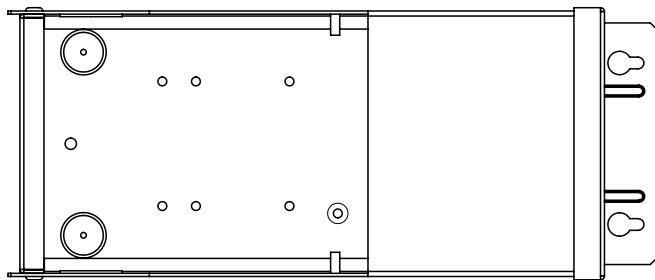
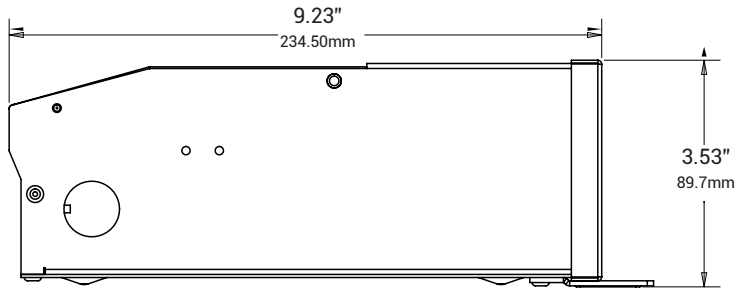
Mechanical Diagram

150W/200W



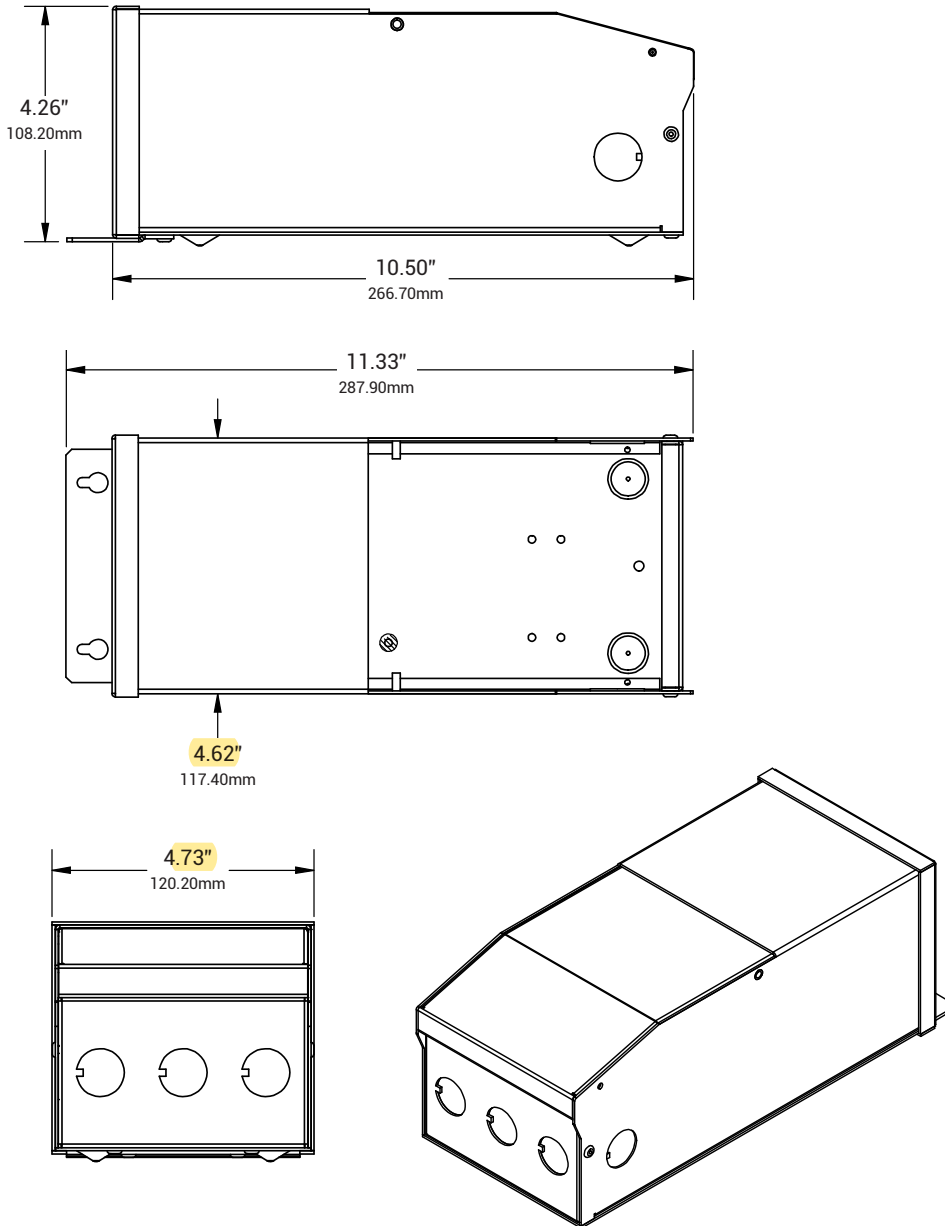
Mechanical Diagram

300W



Mechanical Diagram

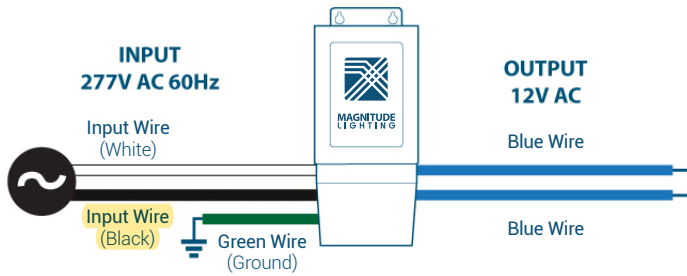
500W



Wiring Diagram

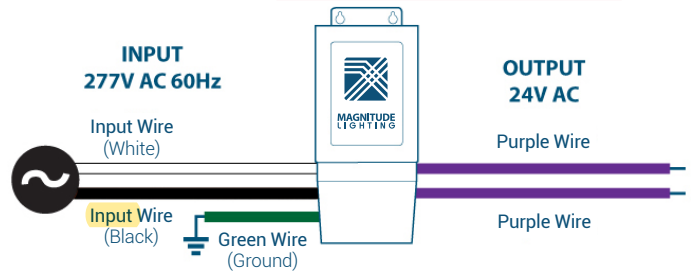
12VAC OUTPUT

(20-60W)



24VAC OUTPUT

(20-96W)



150W - 500W

