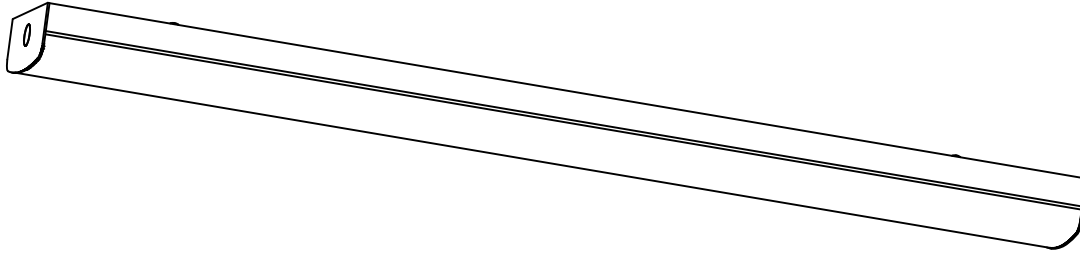


CCT & WATTAGE SELECTABLE WRAP LR25157



SAFETY INFORMATION

Please read and understand this entire manual before attempting to assemble, operate or install the product.

CAUTION

Turn off the power at fuse or circuit breaker box before installation and maintenance. NOTE: This fixture is suitable for a 120-347V fused circuit. Fixture must be installed according to National Electric Code and local building codes. If you are unsure about wiring, consult a qualified electrician. DO NOT USE ON A DIMMING CIRCUIT. Suitable for damp location.

WARNING

Avoid fire or electric shock. Follow installation instructions carefully. If unsure about electrical installation, consult a qualified electrician. Wear rubber-soled shoes and work on a sturdy wooden ladder. Ground fixture to avoid potential electric shock. Handle metal parts carefully to prevent cuts. To avoid a hazard to children, account for all parts and destroy all packing materials.

NOTICE

This device complies with part 15 of the FCC Rules. Operation is subject to the following two conditions: (1) This device may not cause harmful interference, and (2) this device must accept any interference received, including interference that may cause undesired operation.

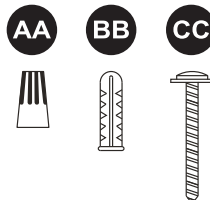
INSTALLATION INSTRUCTIONS

Select suitable location that can support the weight of the fixture.

Suitable for use in the following locations:

- Ambient Temp: -20~+40°C
- Indoor use
- Damp locations

Not compatible with dimmers



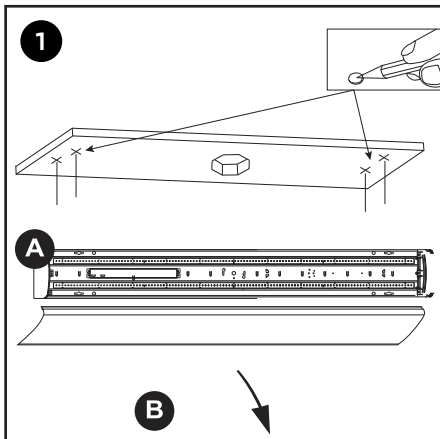
A



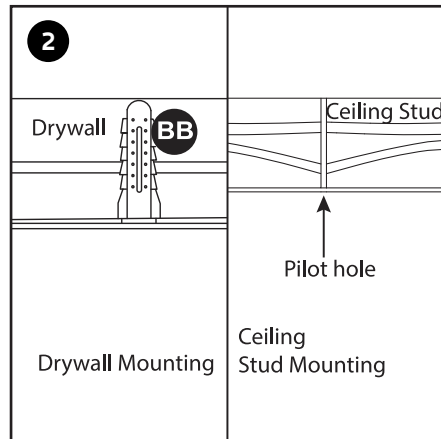
B



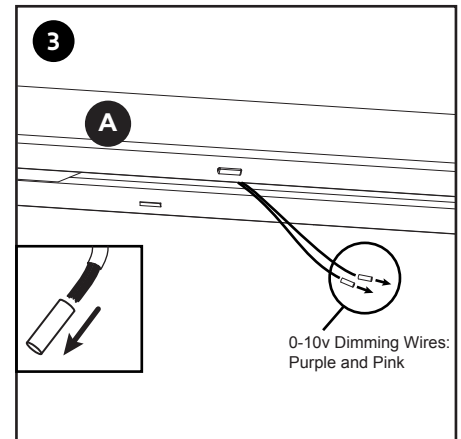
Part	Item Name	Qty.
A	Fixture Body	1
B	Lens	1
AA	Wire Nuts	5
BB	Anchors	4
CC	Wood Screws	4



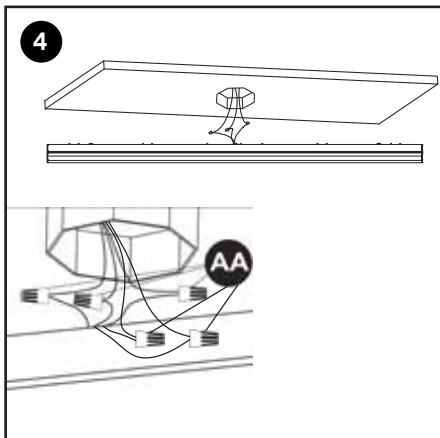
1. Remove lens (B) from fixture (A) by gently pulling sides of lens apart. Align the fixture wires over the junction box so that the fixture body covers the entire junction box opening, and orient the fixture to the intended installation position. With helper holding the fixture in this position, installer shall mark the four locations of the mounting holes at both ends of the fixture. Set the fixture aside.



2. **DRYWALL MOUNTING:** If the mounting holes go through drywall without a stud, drill four small pilot holes using a 1/8-in. drill bit (not included), and install drywall anchors (BB) into the holes with a hammer (not included).
CEILING STUD MOUNTING: If the mounting holes go through ceiling studs, drill four small pilot holes using a 5/32-in. drill bit (not included) for the wood screws (CC). NOTE: Do not install wood screws (CC) yet.

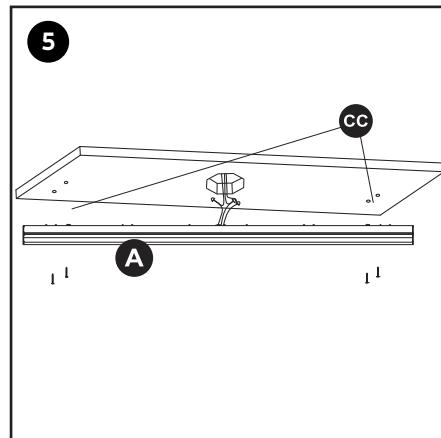


3. Remove the heat shrink tubing wrap from the ends of the purple, pink wires in order to expose the copper wires prior to connecting to the building's supply lines.

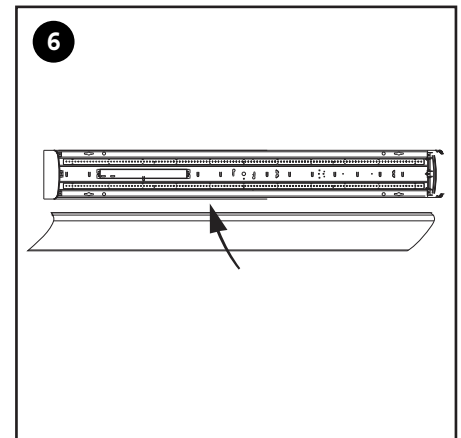


4. Two people are required for this step. Check that black, white and green wires are extending from the back of the fixture (A). Ensure that power is shut off. One person should hold the fixture (A) up to the junction box and the second person should connect the supply wires to the fixture wires - black to black, white to white, and green to copper/bare. Connect the purple and pink wires to corresponding purple and pink wires in the building dimming system.
WARNING: If there is no ground supply wire, stop installation and consult a qualified electrician.

Once wire connections are made, secure each with a wire nut (AA) and tuck all wiring into the junction box.



5. Align the fixture (A) so that the mounting holes match up to the pilot holes or drywall anchors (BB). Ensure that the wiring is tucked into the junction box behind the fixture (A). Secure the fixture (A) to the mounting surface using all four wood screws (CC).



6. Gently push lens onto fixture to complete installation.