



FHSCP-UNV-10W-BLS-SD



Emergency LED Driver

- Universal Voltage: 120-277V~
- Output Voltage Range: 15-55V ---
- Output Current: 181-666mA
- Output Wattage: 10W
- Output Type: LED Class 2
- Number of Output Channels: 1 Channel
- Dry and Damp

General Specifications

Input Voltage / Frequency	120-277V~, 50/60Hz
Input Current	0.1A Max
Input Power	5W Typical
Maintain Power	<0.85W
Input Power Pass-Through Rating (AC Driver Line)	5A
Max Output Rating (LED+ LED-Terminal)	3A Max
	55V Max
Output Power	10W
Voltage Range	15-55V ---
Current Rated	181-666mA
Number of Output Channels	1Channel
Input Surge Protection	3KV/6KV Ring wave, 1KV/2KV Combine surge
Test Switch	Bi-Color Wet Location Test Switch (FHS-TSTWL-BC)
Protections	Output Open Protection
	Output Overload Protection
	Output Short Circuit Protection
RFI/EMI	FCC Part15A
Ambient Operating Temperature Range	0°C To 55°C (32°F To 131°F) (≤10W)
Tc	62°C (143. 6°F)
Sound Rating	A
Battery Type	Lithium-ion
Battery Voltage	10. 95V
Pack Capacity	2600mAh
Battery Rating	28.47Wh
Battery Count	3 Cells
Battery Recharge Time	24 Hours
Battery Discharge Time	Min 1.5 Hours
IP Rating	IP20
Test Switch Remote Mounting Distance	20' (6m) Max.
Service Life	50,000 hours @Tc 62°C (143. 6°F)
Warranty	@Tc 62°C (143. 6°F) 5 Years From the date of manufacture when properly installed
Safety Standard	UL 924, UL 1310, CSA C22.2 No.141

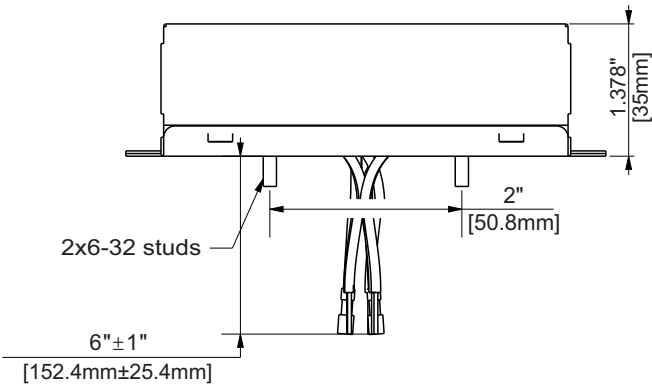


FHSCP-UNV-10W-BLS-SD



Mechanical Data

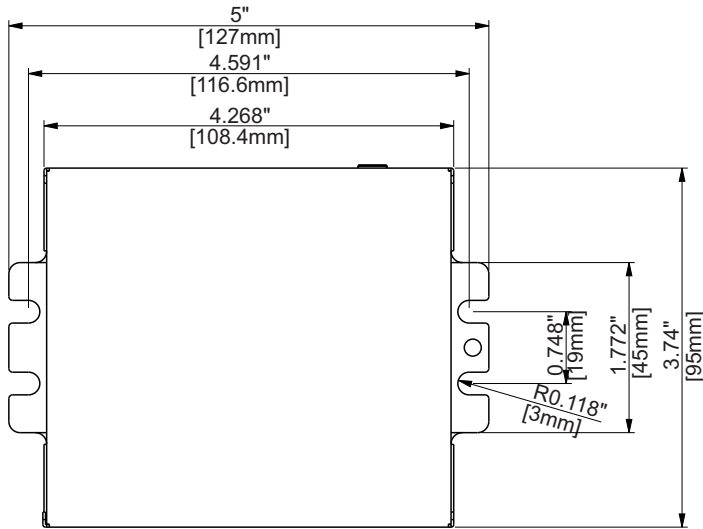
Side View



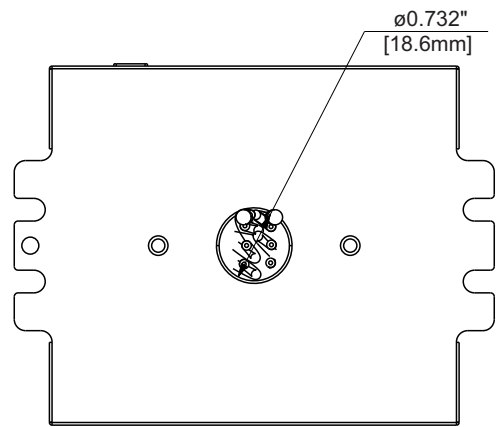
Overall Dimensions

Overall Dimensions	
Length	5" [127mm]
Width	3.74" [95mm]
Height	1.378" [35mm]

Front View



Back View



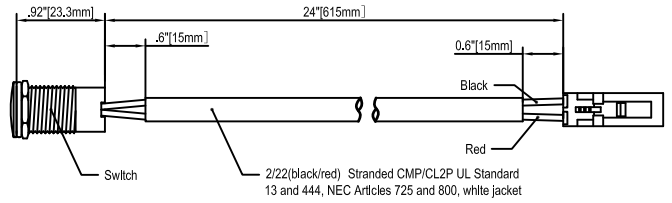


FHSCP-UNV-10W-BLS-SD

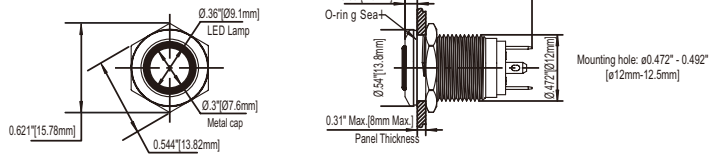


Accessories

Bi-Color Wet Location Test Switch: FHS-TSTWL-BC



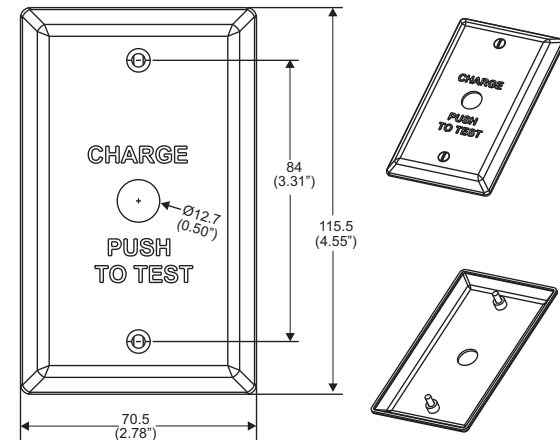
Overall Switch Dimension



Wall Plate: FHSWLPWH

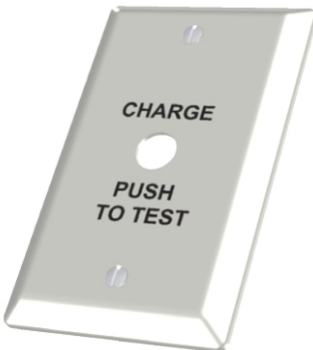


Wall plate and screw color: white with black lettering



1. "Charge push to Test" plate
2. (2) 6-32 x 1/2" LG mounting screws

Wall Plate: FHSWLPWH (Pure White Wall Plate)



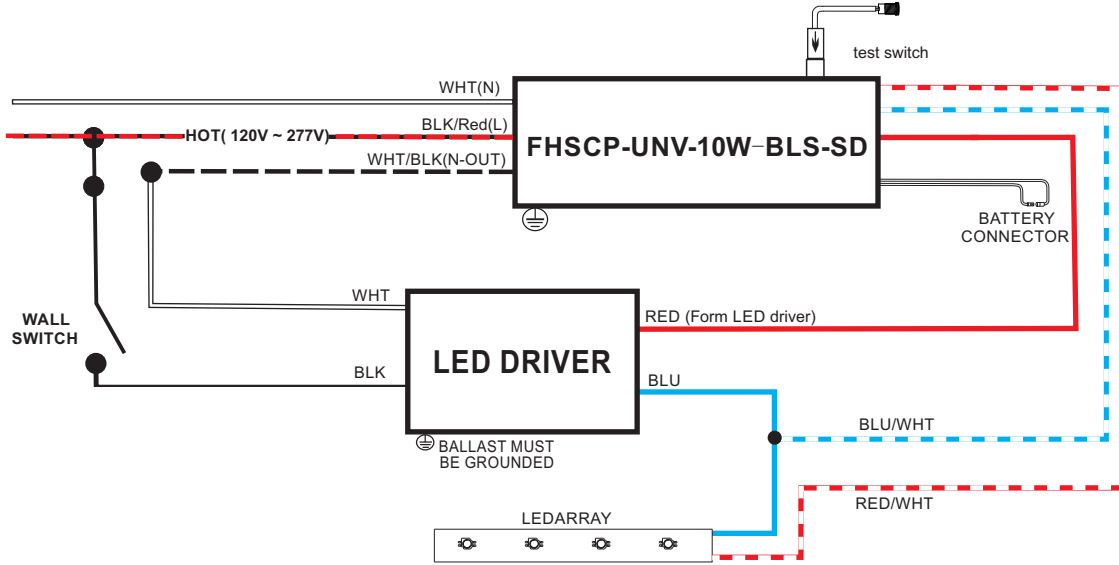
Wall plate and screw color: Pure white with black lettering



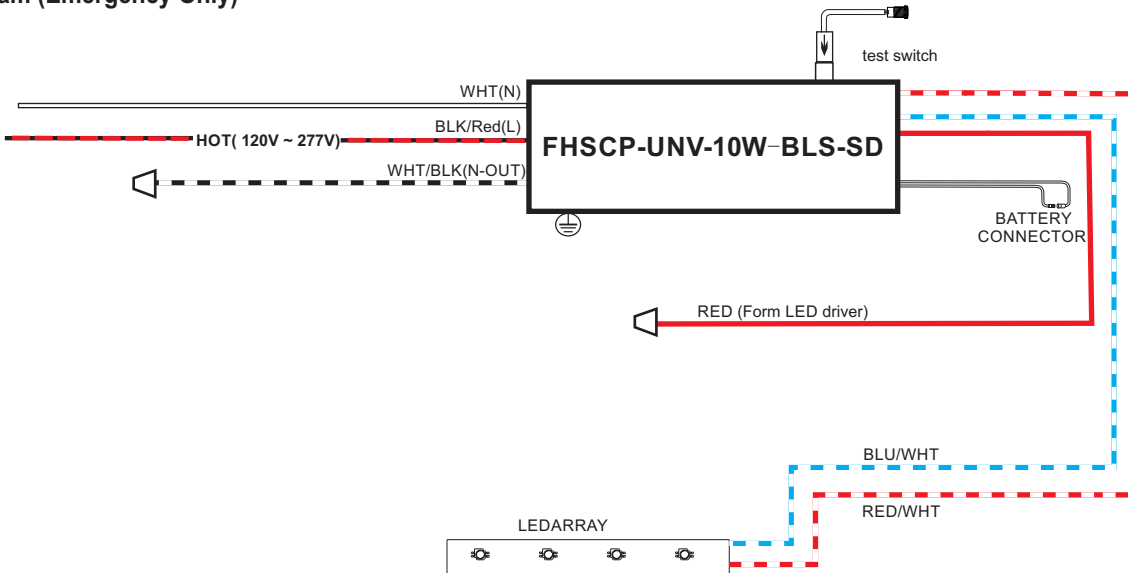
FHSCP-UNV-10W-BLS-SD



Wiring Diagram



Wiring Diagram (Emergency Only)





FHSCP-UNV-10W-BLS-SD



SELF-DIAGNOSTIC INSTRUCTIONS / OPERATION:

If the self-diagnostic feature is enabled:











The emergency LED driver will conduct a self-check for sixty(60) seconds every thirty(30) days; and a ninety(90) minutes self-check every 12 months. After every self-check the LED indicator light will indicate a status signal. Check indicator status chart below to diagnose the status signal.

If the self-diagnostic feature is disabled:

User must conduct a manual test every thirty (30) days to ensure the emergency LED light source illuminates as intended. A full discharge test shall be conducted once a year; the LED light source shall illuminate for a minimum of ninety (90) minutes.

***Self-Diagnostic feature is factory enabled**

TEST SWITCH INDICATOR STATUS:

LED Indicators Status	EM Driver Status / Mode
 Solid Green	System OK / AC OK (Self-Diagnostic Enabled or Disabled)
 Slow Flashing Red, 4s on / 1s off	Battery NOT detected, check battery switch or connection
 Flashing Red, 1s on / 1s off	Battery Failure, replace battery
 Flashing Green, 1s on / 1s off	Self-Diagnostic test underway
 Slow Flashing Green, 0.1s on / 3s off	Normal working in EM mode
 Solid Red	No load or output over voltage protection triggered , Check LED connection
 Flashing 0.5s on/3s off	Self-diagnose process current fault/The battery voltage is abnormal
 Solid Red	Over Current Protection
 Flashing Green, 2s on/0.5s off	Enables Self-diagnosis
 Flashing Green, 0.5s on/2s off	Cancel self-diagnosis

TEST SWITCH OPERATIONS

EM Test:

Press and hold the test button (>1s) to enter EM mode in normal AC powered.

Manual Self-Diagnostic:

After charging twelve (12) hours at least, quickly press the test button three(3) times to force the controller to enter Self-Diagnostic cycle and discharge for 90 minutes. To quit the Self-Diagnostic cycle after engaged, press and hold the test button for three (3) seconds.

Query Self-Diagnostic Status:

Fast click 2 times within 2s to query the Self-Diagnostic status. The indicator would blink for current status for 3 cycles. 2s ON/0.5s OFF stands for Enabled. 0.5s ON/2s OFF stands for Disabled.

How to Enable and Disable Self-Diagnostic Status:

Press and hold the test button for one second, then release, and press and hold the test button for 2 seconds.

Cancel reporting error:

In standby, press and hold the button for about 5s to cancel the error indication.

Emergency Battery Disconnect:

Press and hold the test switch for 5 seconds during EM output condition to turn off EM output. This is useful for production environment to turn off the EM output once a luminaire has completed functionality testing.



FHSCP-UNV-10W-BLS-SD



Guidelines

Grounding

- Driver must be grounded by means of the Driver case.

LED load

- Fulham's Hotspot Constant Power Emergency LED drivers are designed to drive passive LEDs, -COB's and -LED assemblies. Proper function is not guaranteed when (LED) loads with active components are used.

Mounting / Cooling

- Above an output power of 10W, the driver needs to be mounted on a heat conductive surface of at least 200cm². Always test if the surface is sufficient enough before installing the driver.

Short-circuit protection

- In case of a short circuit the LED driver switches to protection mode. After the removal of the short-circuit the LED driver will recover automatically.

No-load Operation

- In no-load operation the output voltage will not exceed the specified open circuit output voltage.

Hot Swapping

- This driver does not support hot swapping of the LEDs

Remote Mounting

- Up to 20ft with 18AWG. Contact Fulham for higher remoute distance.

Battery Maintenance

- In order to maintain proper operation and warranty coverage, the battery must be recharged once per year prior to installation.

Warranty

- Reference Fulham's limited Warranty: <https://cdn.fulham.com/PDFs/Limited-Warranty.pdf>



FHSCP-UNV-10W-BLS-SD



Part Number Matrix

FHS

LED Driver

FHS = Fire Horse EM Driver

CP

Output Type

CP= Constant Power

UNV

Input Voltage

UNV= 120V-277V

10

Power

10= 10W

BLS

Characteristic

BLS= Back Side Wire

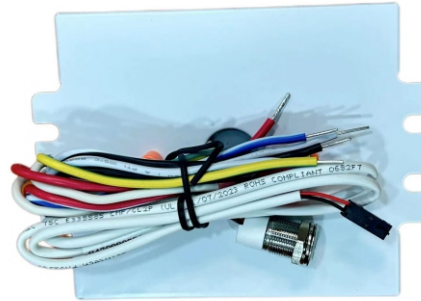
SD

Special Features

SD= Self Diagnostic

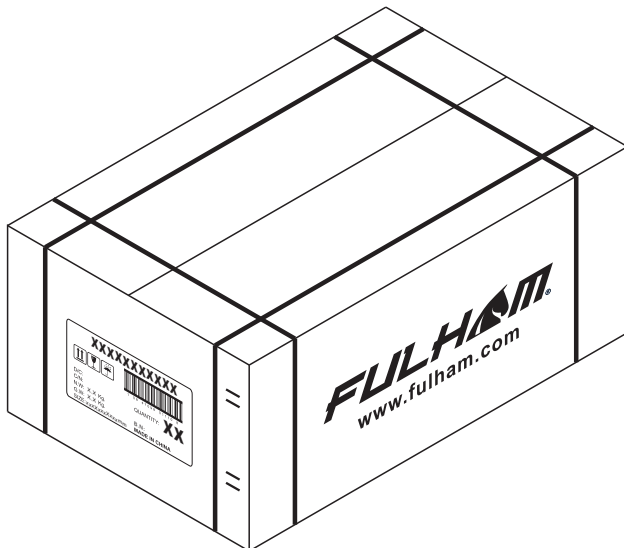
Product Image: LED Driver

FHSCP-UNV-10W-BLS-SD



Packaging

Master Carton



OUTER DIMENSION		
L	W	H
18.27"(464mm)	14.33"(364mm)	7.48"(190mm)
Net Weight	Gross Weight	QUANTITY
11.02lbs 5kg	14.33lbs 6.5kg	10pcs