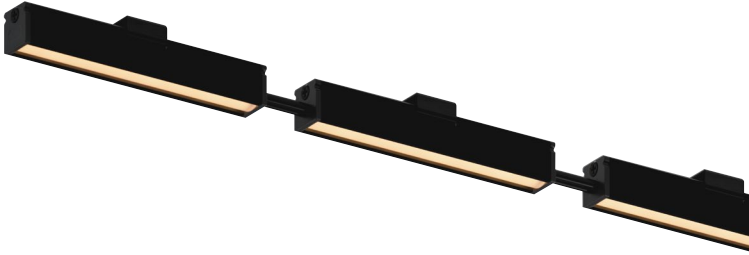


## MICRO

### Microline 7x7 Flex



#### FEATURES

- Discreet 1/4" x 1/4" form factor.
- Max 240 lumens per foot delivered.
- Wide range of mounting and finish options available.
- Homogenous light distribution.

#### HOUSING

- Multiple small form extruded aluminum bodies
- Available in black, white, polished brass, gold, and brushed chrome finishes

#### MOUNTING

- Surface mount with U-clips or L mounting brackets.
- Capable of being mounted directly to magnetic surfaces.

#### ELECTRICAL/CONTROLS

- 5W per foot.
- 24V constant voltage remote driver required.
- Maximum 19' run per 96W driver. See wiring guide.

#### LISTING

- cULus Listed to UL2108

#### LED INFO

- SMD LED: 90, 95 CRI: SDCM = 3-step MacAdam Ellipse,
- Lumen Maintenance: L<sub>70</sub> > 50,000 hrs

#### PROJECT INFORMATION

|               |  |      |  |
|---------------|--|------|--|
| JOB NAME      |  | TYPE |  |
| ORDERING CODE |  |      |  |

#### ORDERING CODE

|                    |  |   |  |
|--------------------|--|---|--|
| <b>SERIES</b>      | <b>MICRO</b>   | microline   |  |
| <b>TYPE</b>        | <b>MF1</b>   | microline flex 7x7 standard   |  |
| <b>LED</b>         | <b>SW</b>  | standard white  |  |
| <b>SIZE</b>        |  | 1 1 link, 2", 45lm delivered<br>2 2 link, 4-1/4", 90lm delivered<br>3 3 link, 6-1/2", 135lm delivered<br>4 4 link, 8-15/16", 180lm delivered<br>5 5 link, 11-1/4", 225lm delivered<br>6 6 link, 13-1/2", 270lm delivered<br>7 7 link, 15-7/8", 315lm delivered<br>8 8 link, 18-1/4", 360lm delivered<br>9 9 link, 20-1/2", 405lm delivered<br>10 10 link, 22-7/8", 450lm delivered<br>11 11 link, 25-3/16", 495lm delivered<br>12 12 link, 27-1/2", 540lm delivered<br>13 13 link, 29-7/8", 585lm delivered<br>14 14 link, 32-1/8", 630lm delivered<br>15 15 link, 34-1/2", 675lm delivered<br>16 16 link, 36-3/4", 720lm delivered<br>17 17 link, 39-1/8", 765lm delivered<br>18 18 link, 41-7/16", 810lm delivered<br>19 19 link, 43-3/4", 855lm delivered<br>20 20 link, 46-1/16", 900lm delivered |  |
| <b>CCT</b>         | 18K 1800K (0.75)<br>22K 2200K (0.80)<br>24K 2400K (0.88)<br>27K 2700K (0.95)<br>30K 3000K (1.00)<br>35K 3500K (1.03)<br>40K 4000K (1.06) |   |  |
| <b>CRI</b>         | 90' 90 CRI+<br>95 95 CRI+  |   |  |
| <b>LENS OPTION</b> | C clear lens (1.00)<br>D diffused (0.75)<br>UD ultra diffused (0.51)   |   |  |
| <b>FINISH</b>      | BK black<br>WH white<br>AL brushed chrome<br>GD gold<br>BS polished brass  |   |  |
| <b>VOLTAGE</b>     | 24   | 24V   |  |
| <b>ACCESSORIES</b> | See page 2 for details.  |   |  |

Follow the steps to specify your fixture, example:

**MICRO - MF1 - SW - 3 - 30K - 95 - C - BK - 24**

#### NOTES

1. Available in 18K/22K/24K.

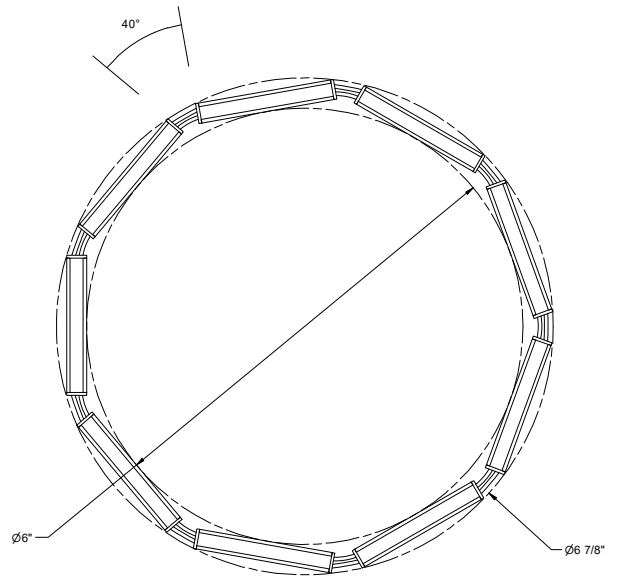
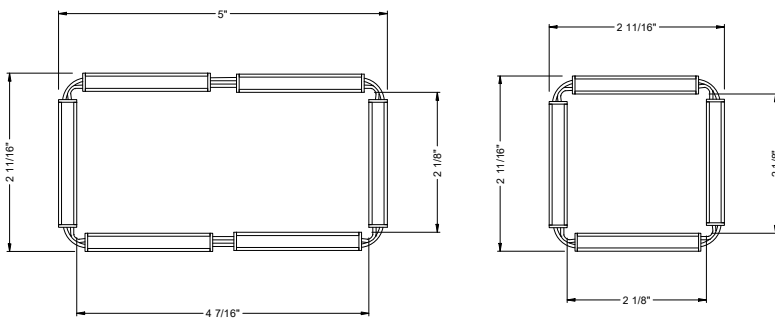
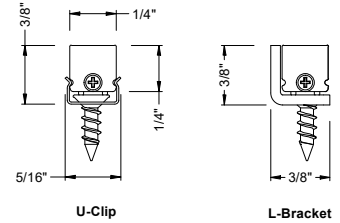
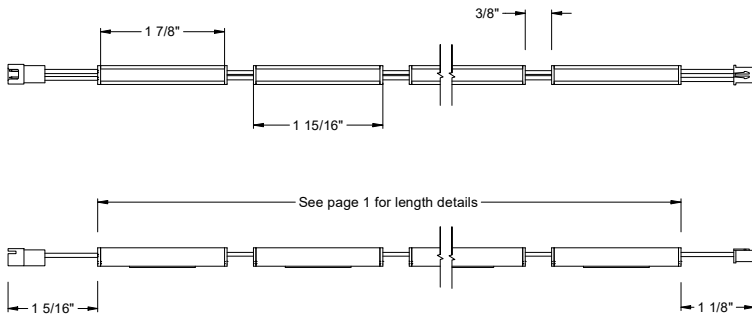
## PROJECT INFORMATION

|               |  |      |  |
|---------------|--|------|--|
| JOB NAME      |  | TYPE |  |
| ORDERING CODE |  |      |  |

## POWER TABLE

| MICRO     | DELIVERED LUMENS | LED POWER  |
|-----------|------------------|------------|
| NO. LINKS | LUMENS (3000K)   | W (95CRI+) |
| 1 LINK    | 45               | 1          |
| 2 LINK    | 90               | 2          |
| 3 LINK    | 135              | 3          |
| 4 LINK    | 180              | 3          |
| 5 LINK    | 225              | 4          |
| 6 LINK    | 270              | 5          |
| 7 LINK    | 315              | 5          |
| 8 LINK    | 360              | 6          |
| 9 LINK    | 405              | 7          |
| 10 LINK   | 450              | 8          |
| 11 LINK   | 495              | 8          |
| 12 LINK   | 540              | 9          |
| 13 LINK   | 585              | 10         |
| 14 LINK   | 630              | 10         |
| 15 LINK   | 675              | 11         |
| 16 LINK   | 720              | 12         |
| 17 LINK   | 765              | 13         |
| 18 LINK   | 810              | 13         |
| 19 LINK   | 855              | 14         |
| 20 LINK   | 900              | 15         |

## PRODUCT DIMENSIONS



## ACCESSORIES

|                                      |   |
|--------------------------------------|---|
| <b>MICRO-EXT-HARNESS<sup>1</sup></b> | 40" extension harness, microline to driver            |
| <b>MICRO-DRIVER-HARNESS</b>          | 12" wire leads with female plug, included with driver |
| <b>MICRO-LBRKT<sup>2,3</sup></b>     | mounting L-bracket                                    |
| <b>MICRO-UCLIP<sup>2,3</sup></b>     | mounting U-clip                                       |
| <b>MICRO-SCREW<sup>2,3</sup></b>     | screw for U-clip and brackets                         |

### NOTES

- Do not use more than five (5) harness extensions on a single run.
- Mounting accessories are only for additional or spare circumstances.  
All Microline include adequate quantity of mounting components.
- Must order one per link.

| PROJECT INFORMATION |  |      |  |
|---------------------|--|------|--|
| JOB NAME            |  | TYPE |  |
| ORDERING CODE       |  |      |  |

## REMOTE DRIVER - 24VDC DRIVER

|                    |              |                                 |
|--------------------|--------------|---------------------------------|
| SERIES             | P70501-MICRO | LED driver with box and harness |
| VOLTAGE            | 24           | 24V                             |
| DIMMING            | DIM10        | 0-10V dimming to 1%             |
| ELECTRICAL OPTIONS | 96           | 96W                             |

ORDERING CODE

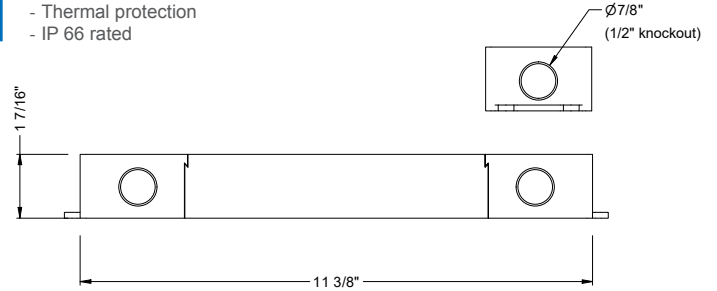
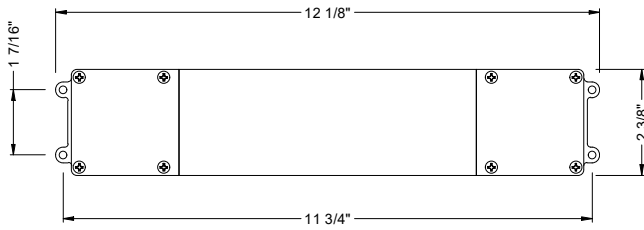
Follow the steps to specify your fixture, example:  
P70501 - MICRO - 24 - DIM10 - 96

### DESCRIPTION

- 0-10V dimmable smooth flicker free dimming down to 1%
- Integrated junction box with multiple 7/8" knockouts
- UL2043 plenum rated

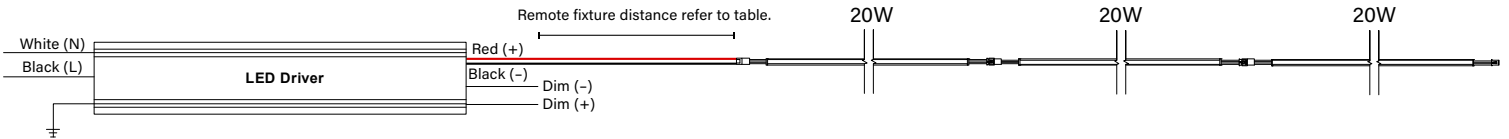
### ELECTRICAL/CONTROLS

- 120-277Vac, 50/60Hz input
- 24Vdc, 96W output
- 0-10V compatible
- Operating temperature: -13°F to 104°F
- Class II rated
- Short circuit protection
- Overload protection
- Over-voltage protection
- Thermal protection
- IP 66 rated



## WIRING GUIDES

### SERIES

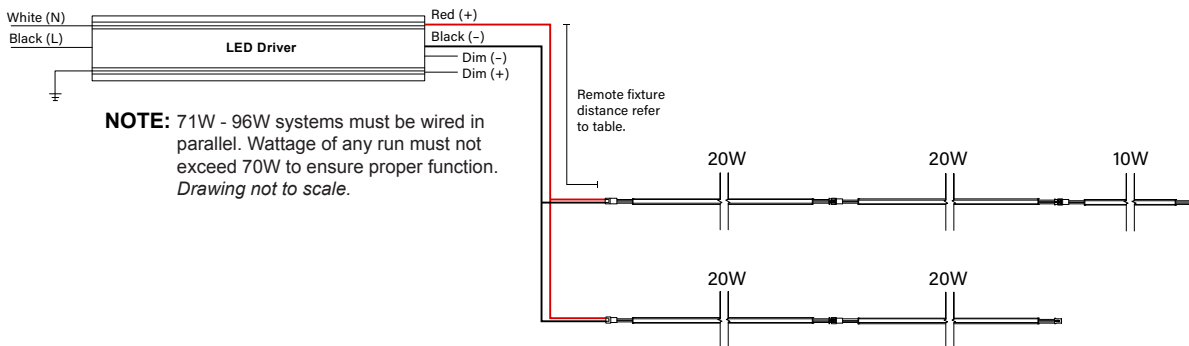


**NOTE:** 0W - 70W systems wired in series OK.  
Drawing not to scale.

| REMOTE FIXTURE DISTANCE                       |               |
|---|---------------|
| AWG VALUE                                     | DISTANCE (FT) |
| 20 AWG (USING MICRO-EXT-HARNESS) <sup>1</sup> | 16.4          |
| 16 AWG (BY OTHERS)                            | 30            |
| 14 AWG (BY OTHERS)                            | 50            |
| 12 AWG (BY OTHERS)                            | 70            |

1. Five (5) harness extension maximum used to achieve distance.

### PARALLEL



**NOTE:** 71W - 96W systems must be wired in parallel. Wattage of any run must not exceed 70W to ensure proper function.  
Drawing not to scale.

## MICRO

### Microline 7x7 Wall Wash Flex



#### FEATURES

- Discreet 1/4" x 1/4" form factor.
- Max 290 lumens per foot delivered.
- Full range of mounting and finish options available.
- Homogenous light distribution.

#### HOUSING

- Multiple small form extruded aluminum bodies
- Available in black, white, polished brass, gold, and brushed chrome finishes

#### MOUNTING

- Surface mount with U-clips or L mounting brackets.
- Capable of being mounted directly to magnetic surfaces.

#### ELECTRICAL/CONTROLS

- 5W per foot.
- 24V constant voltage remote driver required.
- Maximum 19' run per 96W driver. See wiring guide.

#### LISTING

- cULus Listed to UL2108

#### LED INFO

- SMD LED: 90, 95 CRI: SDCM = 3-step MacAdam Ellipse,
- Lumen Maintenance: L<sub>70</sub> > 50,000 hrs

#### PROJECT INFORMATION

|               |  |      |  |
|---------------|--|------|--|
| JOB NAME      |  | TYPE |  |
| ORDERING CODE |  |      |  |

#### ORDERING CODE

|                     |                         |                                     |        |
|---------------------|-------------------------|-------------------------------------|--------|
| <b>SERIES</b>       | <b>MICRO</b>            | microline                           |        |
| <b>TYPE</b>         | <b>MF1-WW</b>           | microline flex 7x7 wall wash        |        |
| <b>LED</b>          | <b>SW</b>               | standard white                      |        |
| <b>SIZE</b>         |                         |                                     |        |
|                     | 1                       | 1 link, 2", 55lm delivered          |        |
|                     | 2                       | 2 link, 4-1/4", 110lm delivered     |        |
|                     | 3                       | 3 link, 6-1/2", 165lm delivered     |        |
|                     | 4                       | 4 link, 8-15/16", 220lm delivered   |        |
|                     | 5                       | 5 link, 11-1/4", 275lm delivered    |        |
|                     | 6                       | 6 link, 13-1/2", 330lm delivered    |        |
|                     | 7                       | 7 link, 15-7/8", 385lm delivered    |        |
|                     | 8                       | 8 link, 18-1/4", 440lm delivered    |        |
|                     | 9                       | 9 link, 20-1/2", 495lm delivered    |        |
|                     | 10                      | 10 link, 22-7/8", 550lm delivered   |        |
|                     | 11                      | 11 link, 25-3/16", 605lm delivered  |        |
|                     | 12                      | 12 link, 27-1/2", 660lm delivered   |        |
|                     | 13                      | 13 link, 29-7/8", 715lm delivered   |        |
|                     | 14                      | 14 link, 32-1/8", 770lm delivered   |        |
|                     | 15                      | 15 link, 34-1/2", 825lm delivered   |        |
|                     | 16                      | 16 link, 36-3/4", 880lm delivered   |        |
|                     | 17                      | 17 link, 39-1/8", 935lm delivered   |        |
|                     | 18                      | 18 link, 41-7/16", 990lm delivered  |        |
|                     | 19                      | 19 link, 43-3/4", 1045lm delivered  |        |
|                     | 20                      | 20 link, 46-1/16", 1100lm delivered |        |
| <b>CCT</b>          | <b>18K</b>              | 1800K                               | (0.75) |
|                     | <b>22K</b>              | 2200K                               | (0.80) |
|                     | <b>24K</b>              | 2400K                               | (0.88) |
|                     | <b>27K</b>              | 2700K                               | (0.95) |
|                     | <b>30K</b>              | 3000K                               | (1.00) |
|                     | <b>35K</b>              | 3500K                               | (1.03) |
|                     | <b>40K</b>              | 4000K                               | (1.06) |
| <b>CRI</b>          | <b>90'</b>              | 90 CRI+                             |        |
|                     | <b>95</b>               | 95 CRI+                             |        |
| <b>LENS OPTIONS</b> | <b>C</b>                | clear lens                          | (1.00) |
|                     | <b>D</b>                | diffused                            | (0.85) |
|                     | <b>UD</b>               | ultra diffused                      | (0.60) |
| <b>FINISH</b>       | <b>BK</b>               | black                               |        |
|                     | <b>WH</b>               | white                               |        |
|                     | <b>BS</b>               | polished brass                      |        |
|                     | <b>GD</b>               | gold                                |        |
|                     | <b>AL</b>               | brushed chrome                      |        |
| <b>VOLTAGE</b>      | <b>24</b>               | 24V                                 |        |
| <b>ACCESSORIES</b>  | See page 2 for details. |                                     |        |

Follow the steps to specify your fixture, example:  
**MICRO - MF1 - WW - SW - 3 - 30K - 95 - C - BK - 24**

#### NOTES

1. Available in 18K/22K/24K.

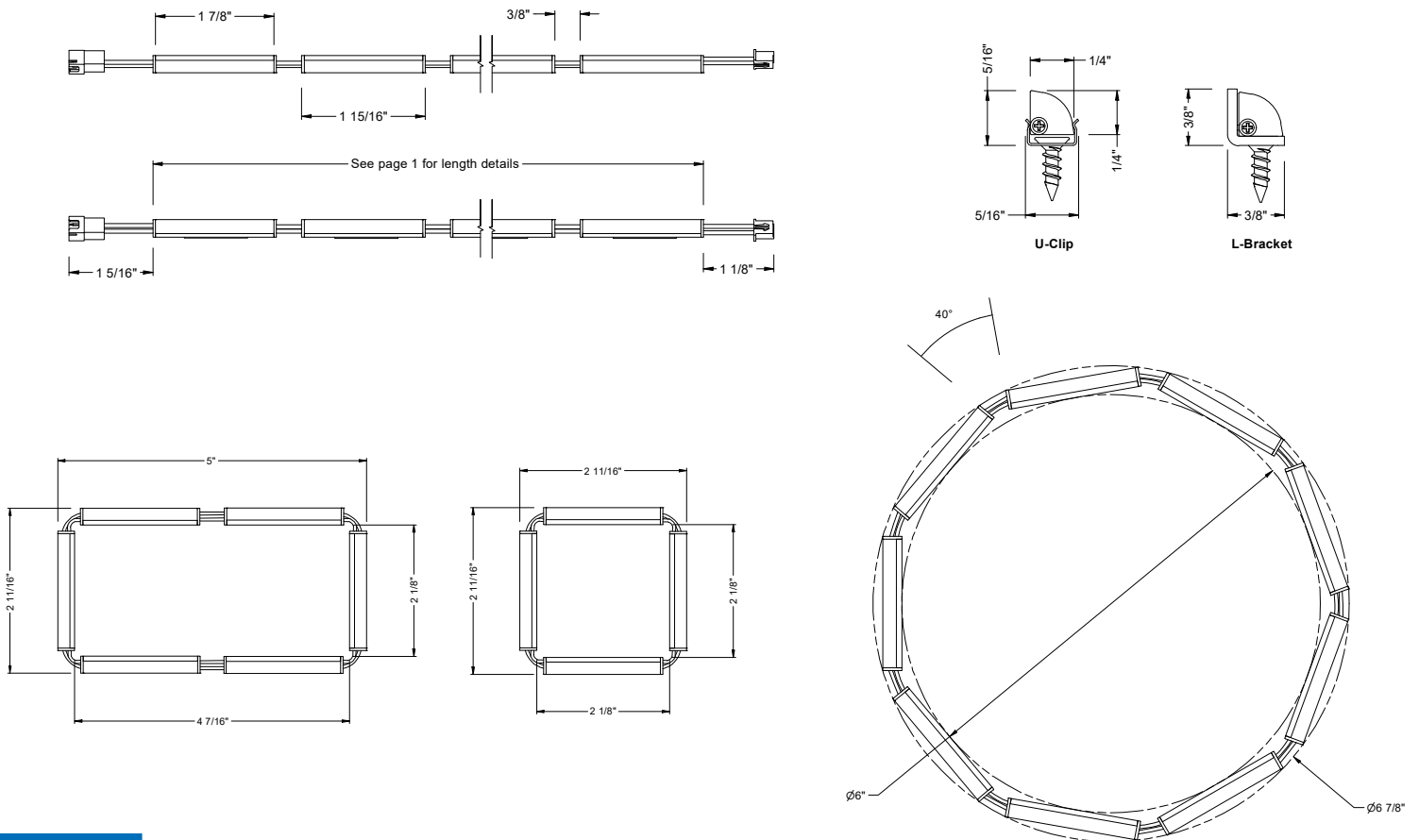
## PROJECT INFORMATION

|               |  |      |  |
|---------------|--|------|--|
| JOB NAME      |  | TYPE |  |
| ORDERING CODE |  |      |  |

## POWER TABLE

| MICRO     | DELIVERED LUMENS | LED POWER  |
|-----------|------------------|------------|
| NO. LINKS | LUMENS (3000K)   | W (95CRI+) |
| 1 LINK    | 55               | 1          |
| 2 LINK    | 110              | 2          |
| 3 LINK    | 165              | 3          |
| 4 LINK    | 220              | 3          |
| 5 LINK    | 275              | 4          |
| 6 LINK    | 330              | 5          |
| 7 LINK    | 385              | 5          |
| 8 LINK    | 440              | 6          |
| 9 LINK    | 495              | 7          |
| 10 LINK   | 550              | 8          |
| 11 LINK   | 605              | 8          |
| 12 LINK   | 660              | 9          |
| 13 LINK   | 715              | 10         |
| 14 LINK   | 770              | 10         |
| 15 LINK   | 825              | 11         |
| 16 LINK   | 880              | 12         |
| 17 LINK   | 935              | 13         |
| 18 LINK   | 990              | 13         |
| 19 LINK   | 1045             | 14         |
| 20 LINK   | 1100             | 15         |

## PRODUCT DIMENSIONS



## ACCESSORIES

|                                      |   |
|--------------------------------------|---|
| <b>MICRO-EXT-HARNESS<sup>1</sup></b> | 40" extension harness, microline to driver            |
| <b>MICRO-DRIVER-HARNESS</b>          | 12" wire leads with female plug, included with driver |
| <b>MICRO-LBRKT<sup>2,3</sup></b>     | mounting L-bracket                                    |
| <b>MICRO-UCLIP<sup>2,3</sup></b>     | mounting U-clip                                       |
| <b>MICRO-SCREW<sup>2,3</sup></b>     | screw for U-clip and brackets                         |

### NOTES

- Do not use more than five (5) harness extensions on a single run.
- Mounting accessories are only for additional or spare circumstances.
- All Microline include adequate quantity of mounting components.

3. Must order one per link.

## PROJECT INFORMATION

|               |  |      |  |
|---------------|--|------|--|
| JOB NAME      |  | TYPE |  |
| ORDERING CODE |  |      |  |

## REMOTE DRIVER - 24VDC DRIVER

|                    |              |                                 |
|--------------------|--------------|---------------------------------|
| SERIES             | P70501-MICRO | LED driver with box and harness |
| VOLTAGE            | 24           | 24V                             |
| DIMMING            | DIM10        | 0-10V dimming to 1%             |
| ELECTRICAL OPTIONS | 96           | 96W                             |

### ORDERING CODE

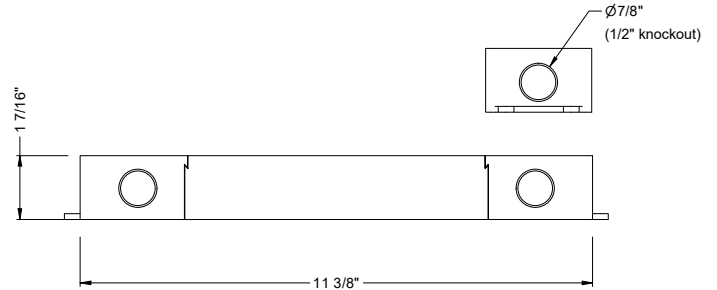
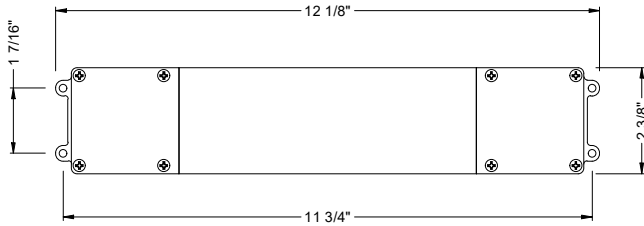
Follow the steps to specify your fixture, example:  
**P70501 - MICRO - 24 - DIM10 - 96**

### DESCRIPTION

- 0-10V dimmable smooth flicker free dimming down to 1%
- Integrated junction box with multiple 7/8" knockouts
- UL2043 plenum rated

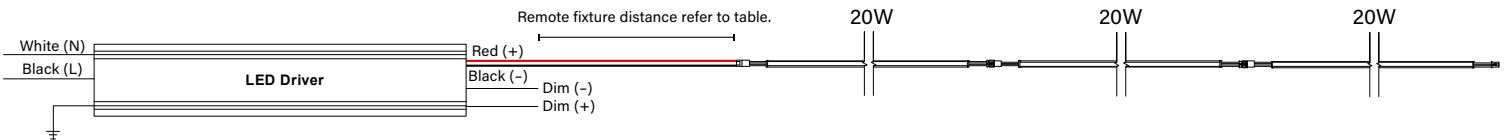
### ELECTRICAL/CONTROLS

- 120-277Vac, 50/60Hz input
- 24Vdc, 96W output
- 0-10V compatible
- Operating temperature: -13°F to 104°F
- Class II rated
- Short circuit protection
- Overload protection
- Over-voltage protection
- Thermal protection
- IP 66 rated



## WIRING GUIDES

### SERIES

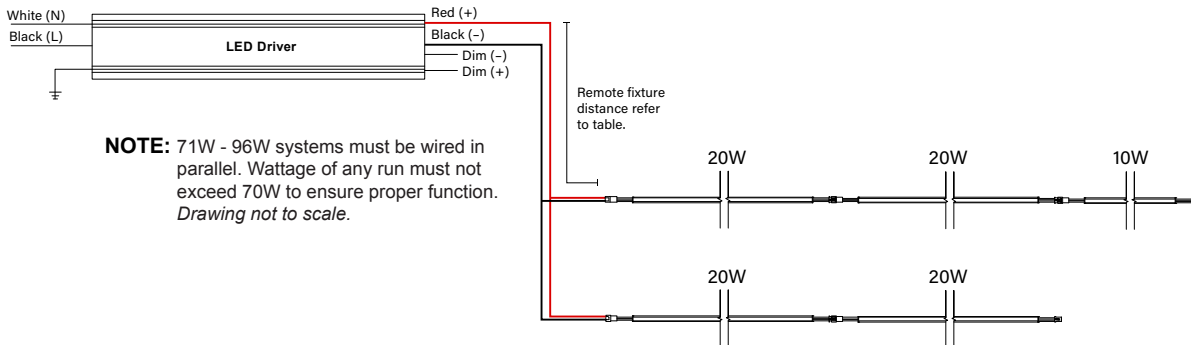


**NOTE:** 0W - 70W systems wired in series OK.  
*Drawing not to scale.*

| REMOTE FIXTURE DISTANCE           |               |
|-----------------------------------|---------------|
| AWG VALUE                         | DISTANCE (FT) |
| 20 AWG (USING MICRO-EXT-HARNESS)1 | 16.4          |
| 16 AWG (BY OTHERS)                | 30            |
| 14 AWG (BY OTHERS)                | 50            |
| 12 AWG (BY OTHERS)                | 70            |

1. Five (5) harness extension maximum used to achieve distance.

### PARALLEL



**NOTE:** 71W - 96W systems must be wired in parallel. Wattage of any run must not exceed 70W to ensure proper function.  
*Drawing not to scale.*