

JOB NAME _____

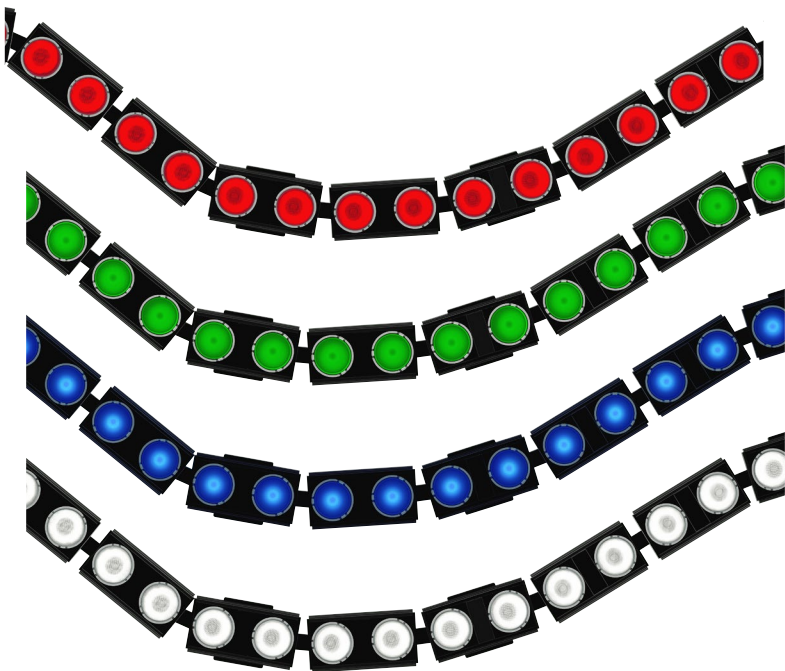
CONTACT _____

ORDERING CODE _____

COBRA FLEX

Flexible Cove RGBW

formalighting
COLLECTION



S Curve - 14 link

DESCRIPTION

COBRA Linear is a surface mounted modular system in extruded aluminum. It is segmented with two 366 lm LED segments for flexible radius of 29° max. COBRA is offered in 15 different lengths. They are hard connected for durability and consistency to maintain a 1.18" pitch between the LEDs. Offered in several CCTs at 90CRI. Ideal for indirect cove illumination, to create a wall grazing effect for columns and curved architectural surfaces. Mounting accessories included. Optional glare shield, honeycomb louver and color filters are offered. COBRA carries the first 5 Year FIXTURE WARRANTY.

HOUSING

- Anodized extruded aluminum
- Consult factory for custom finishes and lengths

MOUNTING

- Surface mount with U-clips, included.

ELECTRICAL/CONTROLS

- 3.5W per link at 4X 250mA
- RED: 34 lm / link, GREEN: 66 lm / link, BLUE: 20 lm / link, WHITE (4000K): 55 lm / link
- TOTAL: 168 lm per link (All ON)
- Remote class 2 power supply required
- Maximum 14 Link run per driver
- Series shunt bypass ensures remaining operate if single link failure

LISTINGS

- cULus Listed to UL2108

LED INFO

- TX-3535 RGBW:
- 80 CRI, R9 > 70: SDCM = 3-step MacAdam Ellipse; Lumen Maintenance: L₇₀ > 56,000 hrs

ORDERING CODE

LM-79

SERIES	COBRA	cove light	
TYPE	CF1 CF1-L ¹	cobra flex, standard cobra flex, louver	
LED	RGBW	red, green, blue, white	
SIZE	1 2 3 4 5 6 7 8 9 10 11 12 13 14	1 link, 2-1/8" 2 link, 4-1/2" 3 link, 6-7/8" 4 link, 9-1/4" 5 link, 11-1/2" 6 link, 13-15/16" 7 link, 16-5/16" 8 link, 18-5/8" 9 link, 21" 10 link, 23-3/8" 11 link, 25-3/4" 12 link, 28-1/8" 13 link, 30-1/2" 14 link, 32-7/8"	
CCT	30K 40K	3000K 4000K	(1.00) (1.03)
CRI	80	80 CRI	
LENS OPTION	30D	30 degrees	
FINISH	BK	black	
MOUNTING OPTIONS	S	surface mount	
ACCESSORIES	See page 2 for details.		
DIMMING	See last page for details.		

ORDERING CODE _____

Follow the steps to specify your fixture, example:

COBRA - CF1 - 14 - RGBW - 30K - 80 - 30D - BK - S

NOTES

1. Louver not available with honey comb accessory.

RGBW (LED)

COBRA	DELIVERED LM					VOLTAGE Vdc (TOTAL)	LED POWER W (80 CRI)	SYSTEM POWER W (80 CRI)
	RED	GREEN	BLUE	WHITE	ALL			
1 LINK	34	66	20	55	175	4	3	5
2 LINK	67	132	40	110	349	8	6	8
3 LINK	101	200	60	165	526	11	9	11
4 LINK	135	266	80	220	701	15	12	14
5 LINK	170	330	100	275	875	18	14	16
6 LINK	205	395	120	330	1050	22	17	19
7 LINK	240	460	140	385	1225	26	20	22
8 LINK	275	525	160	440	1400	29	23	25
9 LINK	310	590	180	495	1575	33	26	28
10 LINK	345	655	200	550	1750	36	28	30
11 LINK	380	720	220	605	1925	40	31	33
12 LINK	415	785	240	660	2100	44	34	36
13 LINK	450	855	260	715	2280	47	37	39
14 LINK	485	920	280	775	2460	50	40	42

Power Factor ≥ 0.9

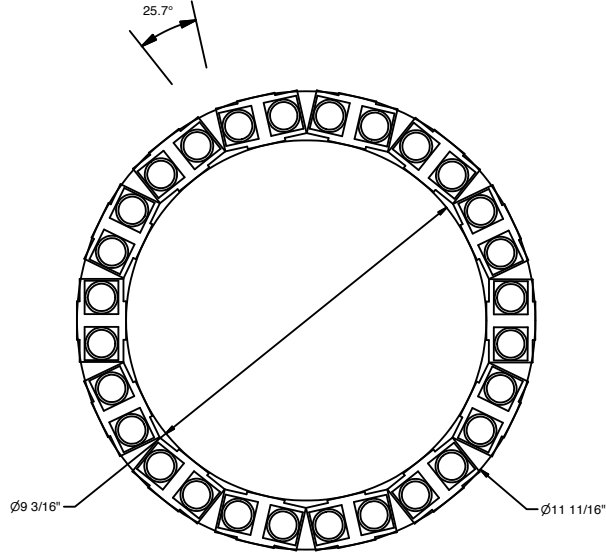
RELATED PRODUCTS



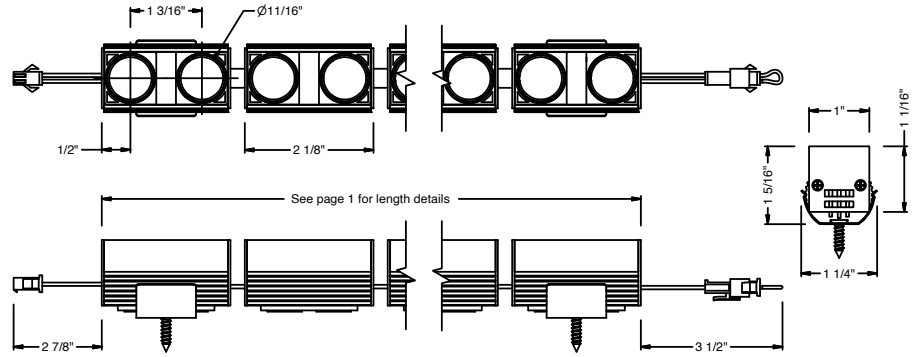
Cobra Linealuce - Rigid Cove

PRODUCT DIMENSIONS

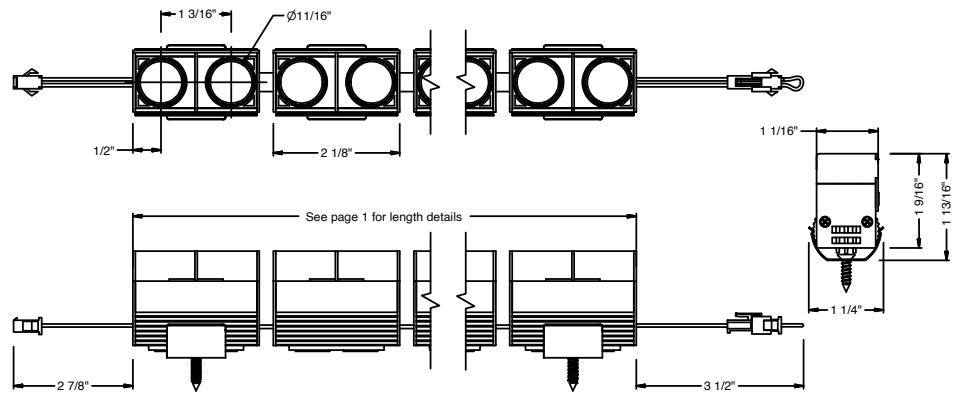
CURVED RADIUS FOR CF1



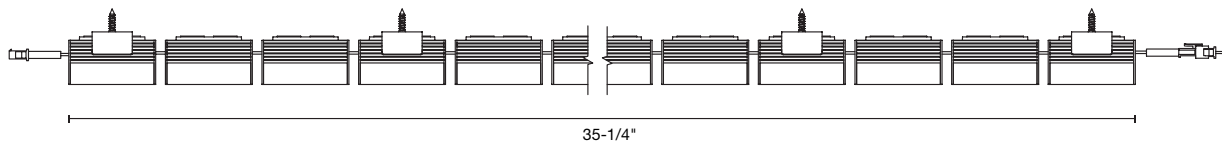
CF1 - STANDARD



CF1 - LOUVER



CF1-15

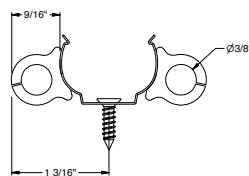
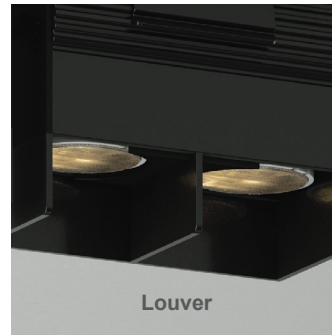


ACCESSORIES

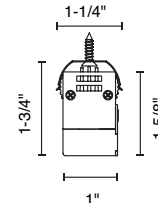
- COBRA-HCL²
- COBRA-EXT-HARNESS-RGBW
- COBRA-UCLIP¹
- COBRA-SCREW¹
- 76127³

- honeycomb louver
- 39" extension harness, interconnections
- mounting U-clip (included)
- screw for U-clip (included)
- cable management holder w/ adhesive.

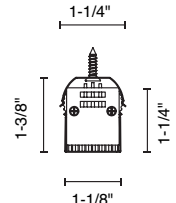
- NOTES**
1. Mounting accessories are only for additional or spare circumstances. All Cobras include adequate quantity of mounting components.
 2. Must order one per link.
 3. Use 4 / 6 / 10 pcs. for 4-12 led / 16-20 led / 24-28 led respectively.



Cable Holder



Louver



Honeycomb

REMOTE DRIVER - DMX ORDERING CODE

SERIES	P70471-COBRA	LED driver with box and harnesses
DIMMING	DMXZ	DMX dim to zero
ELECTRICAL OPTIONS	250	250mA

ORDERING CODE

Follow the steps to specify your fixture, example:
P70471 - COBRA - DMXZ - 250

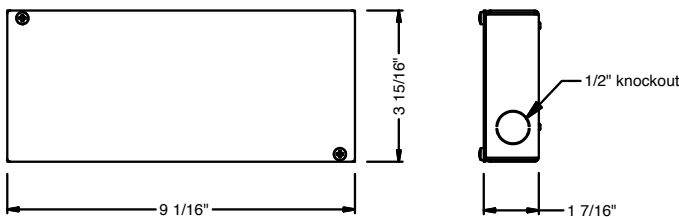
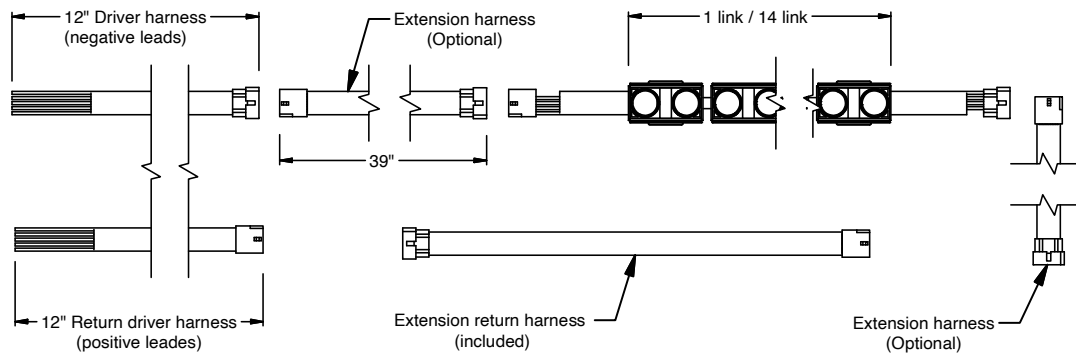
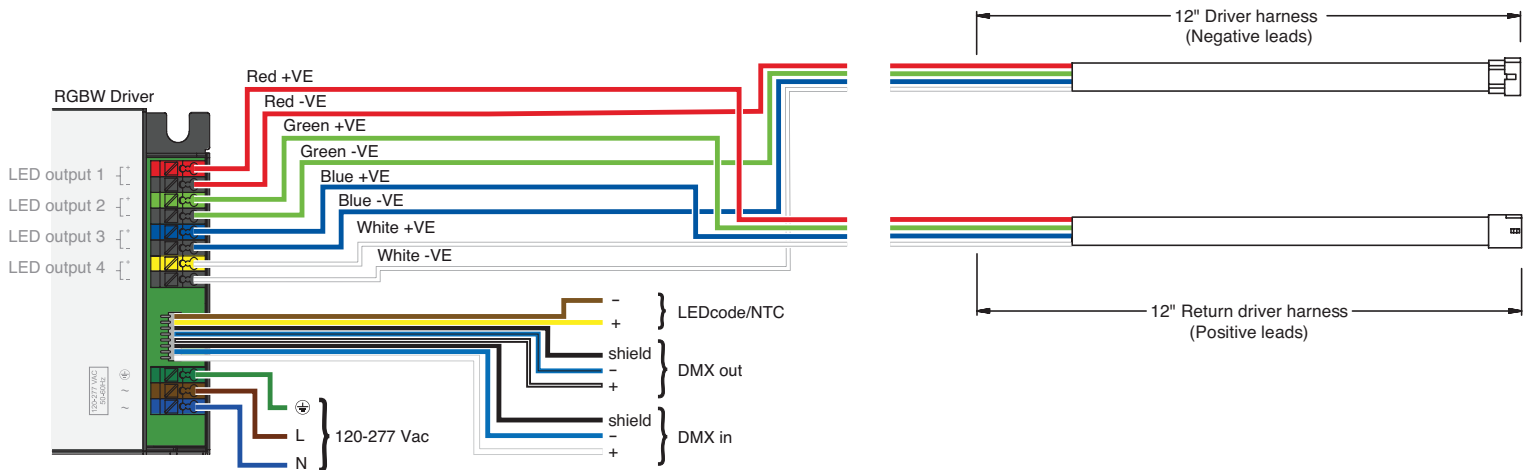
MAXIMUM WIRING DISTANCE FROM DRIVER TO FIRST COBRA AT FULL LOAD	
AWG VALUE	DISTANCE (FT)
20	46
18	72
17	92
16	118

DESCRIPTION

- DMX dimmable protocol LED drive with smooth flicker free dimming
- Remote mounting distance up to 46' (20AWG), 72' (18AWG) to LED load
- Max 250mA programmed current

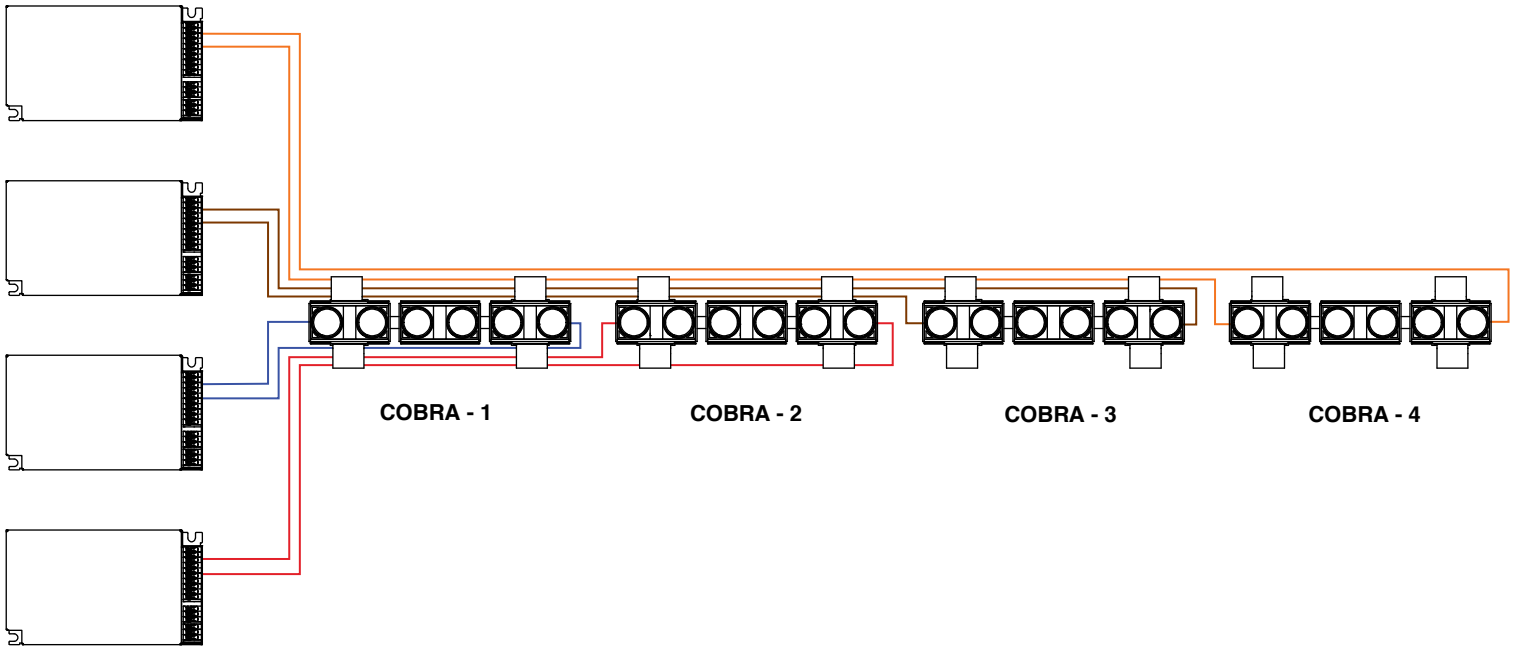
ELECTRICAL/CONTROLS

- 120-277Vac, 50/60Hz input
- 50W max output
- 8-55Vdc output per channel
- Isolated dimming circuit
- DMX compatible
- Operating temperature: -13°F to 122°F
- Class II rated
- Suitable for use in damp and dry locations
- Short circuit protection
- Overload protection
- Over-voltage protection
- Thermal protection
- Box: Length = 9", Width = 4", Height = 1-3/8"
- Driver: Length = 5-1/8", Width = 3", Height = 1-1/8"



BOX

WIRE MANAGEMENT GUIDE



Note: Maximum four individual circuit Cobras in-line with wire management clips.