

LUXRITE®

LED CANLESS - SPOTLIGHT SAN DIEGO COLLECTION

2"



LR22628



LR22637

3"



LR22630



LR22638

4"



LR22632



LR22640

5"



LR22634



LR22642

6"



LR22636



LR22644



COLOR SELECTABLE

2700K 3000K 3500K 4000K 5000K

HIGH
OUTPUT

DIMMABLE

TRIAC

IC
RATED

WET
LOCATION
RATED

120V

5
YEAR
WARRANTY



LR22628
LEDRMP2/HO/5CCT/RD/WT/D



LR22637
LEDRMP2/HO/5CCT/SQ/WT/D



LR22628



LR22637

APERTURE	2"
DISTRIBUTION	FIXED
APPLICATION	NEW CONSTRUCTION/REMODEL

ELECTRICAL

POWER	8W
INPUT VOLTS	120V
INPUT CURRENT	67mA
FREQUENCY	60Hz
DIMMING TYPE	TRIAC
DIMMING RANGE	10-100%
FEED WIRE GAUGE	24AWG
BREAKER SPECIFICATION *(15A @120V)	149pcs*

*Mathematically estimated value. Actual capacity may vary by breaker type and installation environment.

PHOTOMETRIC

COLOR CCT	2700K/3000K/3500K/4000K/5000K
CRI	80
LUMEN	LR22628: 660lm
	LR22637: 660lm
EFFICACY	LR22628: 82lm/w
	LR22637: 82lm/w
BEAM ANGLE	100°

CERTIFICATIONS & SAFETY

LR22628	ETL, ENERGY STAR
LR22637	ETL, ENERGY STAR
WET LOCATION	YES
IC RATED	YES
AIR TIGHT	NO
OPERATING TEMP.	-4°F to 104°F
COST/YR	\$ 0.96
WARRANTY	5 YR

MATERIAL & APPLICATION

HOUSING	ALUMINUM
LENS	PC
CUTOUT	Ø2.12"
MOUNTING TYPE	RECESSED
AREA OF APPLICATION	RESIDENTIAL, COMMERCIAL
CEILING TYPE	DRYWALL, WOOD

DRIVER

	POWER	INPUT VOLTS	INPUT CURRENT	FREQUENCY	INPUT POWER	OUTPUT VOLTAGE	DIMENSIONS	KNOCKOUTS
INCLUDED DRIVER	8W	120V	67mA	60Hz	8W max	36V DC	7.5"L X 1.5"W X 1.5"H	2

MODEL	DESCRIPTION	EM POWER	INPUT VOLTS	INPUT CURRENT	FREQUENCY	INPUT POWER	OUTPUT VOLTAGE	RECHARGE TIME	EMERGENCY TIME
LR35126**	LED/EMR/15W/AC/SF/E	15	100-347V	100mA	50/60Hz	12W max	170V DC	24HR	90MINS

*AMBIENT TEMPERATURE: 41°F ~ 122°F
*SOLD SEPARATELY

DIMENSIONS

CUTOUT: Ø2.12"

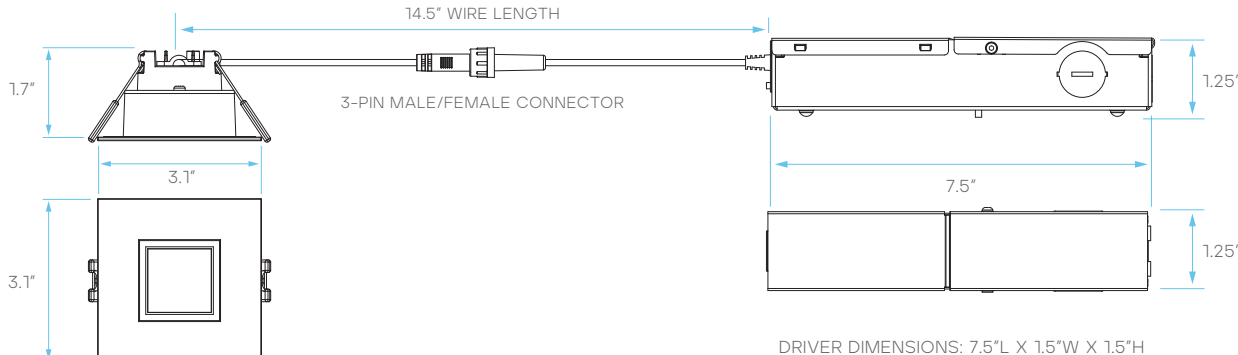
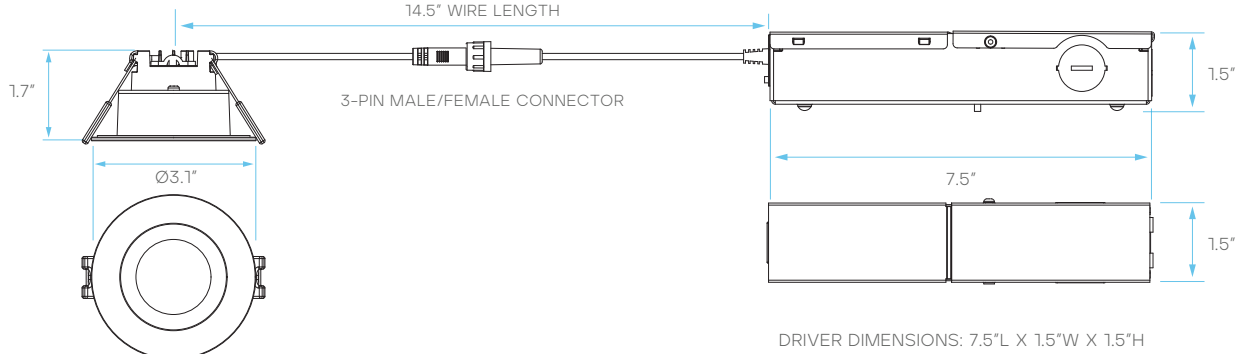
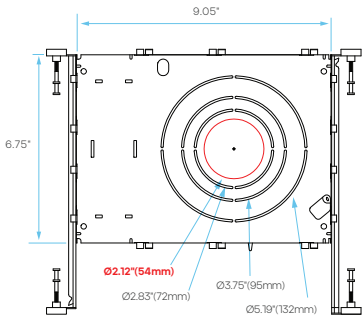


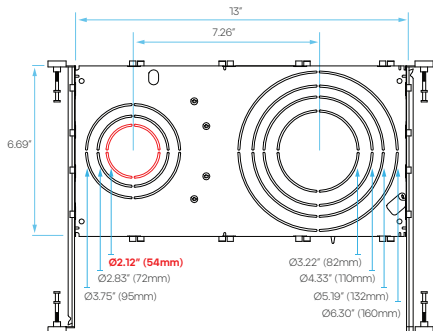
PLATE COMPATIBILITY*

*SOLD SEPARATELY

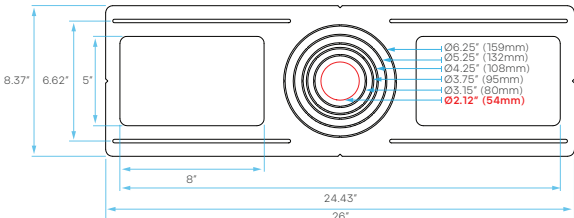
LR41004
KNOCKOUT
O



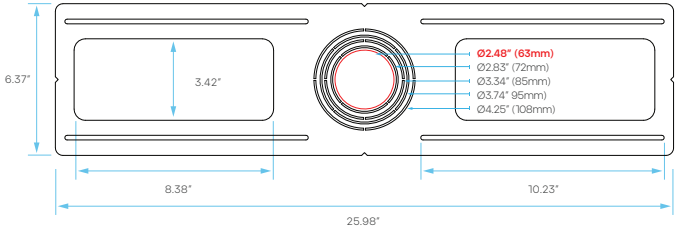
LR41010
KNOCKOUT
LO



LR41006
KNOCKOUT
O



LR41011
KNOCKOUT
O



LR22630
LEDRMP3/HO/5CCT/RD/WT/D



LR22638
LEDRMP3/HO/5CCT/SQ/WT/D



LR22630



LR22638

APERTURE	3"
DISTRIBUTION	FIXED
APPLICATION	NEW CONSTRUCTION/REMODEL

ELECTRICAL

POWER	10W
INPUT VOLTS	120V
INPUT CURRENT	83mA
FREQUENCY	60Hz
DIMMING TYPE	TRIAC
DIMMING RANGE	10-100%
FEED WIRE GAUGE	24AWG
BREAKER SPECIFICATION *(15A @120V)	119pcs*

*Mathematically estimated value. Actual capacity may vary by breaker type and installation environment.

PHOTOMETRIC

COLOR CCT	2700K/3000K/3500K/4000K/5000K
CRI	80
LUMEN	LR22630: 820lm
	LR22638: 820lm
EFFICACY	LR22630: 82lm/w
	LR22638: 82lm/w
BEAM ANGLE	100°

CERTIFICATIONS & SAFETY

LR22630	ETL, ENERGY STAR
LR22638	ETL, ENERGY STAR
WET LOCATION	YES
IC RATED	YES
AIR TIGHT	NO
OPERATING TEMP.	-4°F to 104°F
COST/YR	\$ 1.20
WARRANTY	5 YR

MATERIAL & APPLICATION

HOUSING	ALUMINUM
LENS	PC
CUTOUT	Ø3.22"
MOUNTING TYPE	RECESSED
AREA OF APPLICATION	RESIDENTIAL, COMMERCIAL
CEILING TYPE	DRYWALL, WOOD

DRIVER

	POWER	INPUT VOLTS	INPUT CURRENT	FREQUENCY	INPUT POWER	OUTPUT VOLTAGE	DIMENSIONS	KNOCKOUTS
INCLUDED DRIVER	10W	120V	83mA	60Hz	10W max	36V DC	5.25"L X 3"W X 1.5"H	2

MODEL	DESCRIPTION	EM POWER	INPUT VOLTS	INPUT CURRENT	FREQUENCY	INPUT POWER	OUTPUT VOLTAGE	RECHARGE TIME	EMERGENCY TIME
LR35126**	LED/EMR/15W/AC/SF/E	15	100-347V	100mA	50/60Hz	12W max	170V DC	24HR	90MINS

*AMBIENT TEMPERATURE: 41°F ~ 122°F
*SOLD SEPARATELY

DIMENSIONS

CUTOUT: Ø3.22"

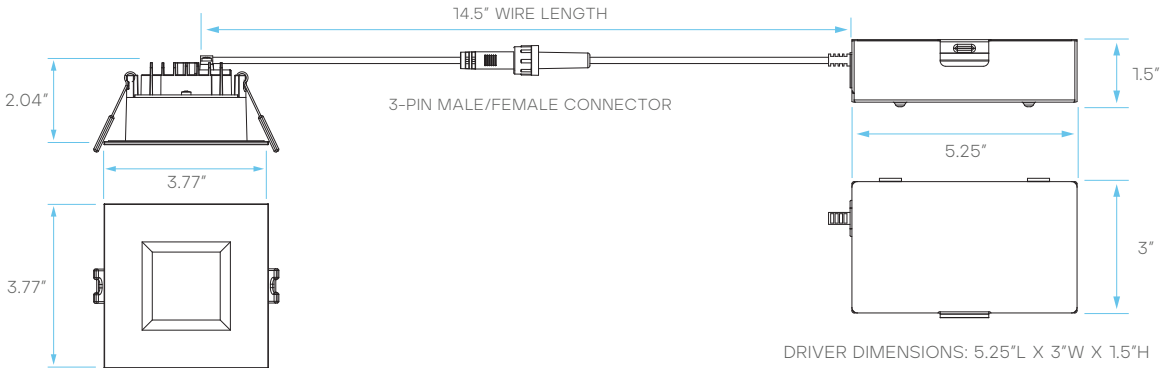
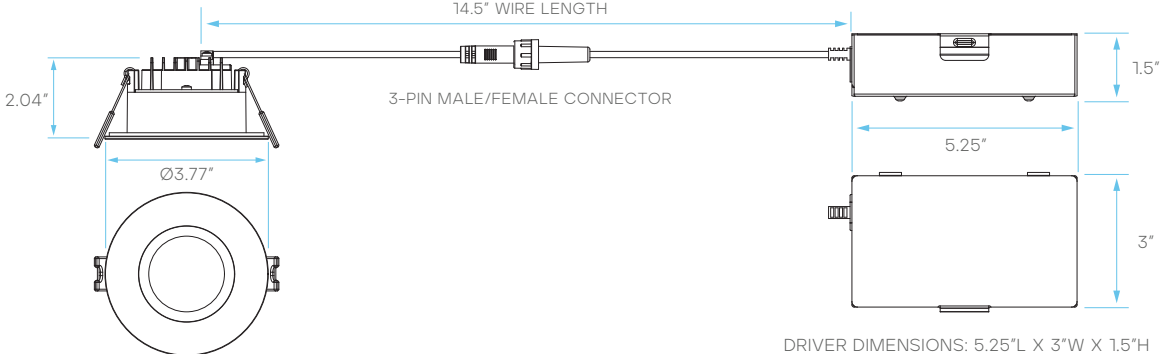
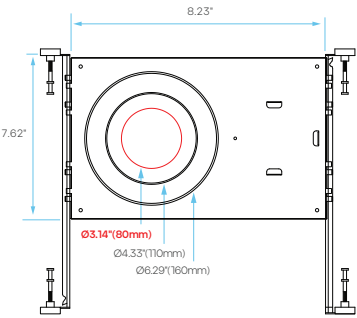


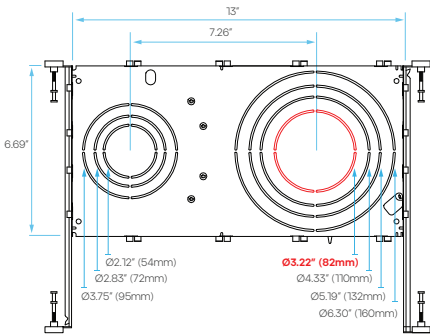
PLATE COMPATIBILITY*

*SOLD SEPARATELY

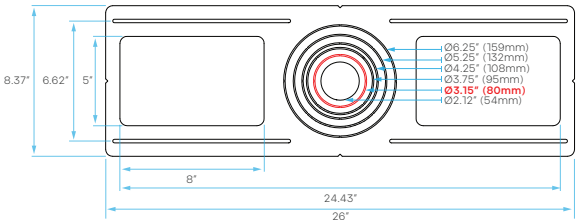
LR41002
KNOCKOUT
0



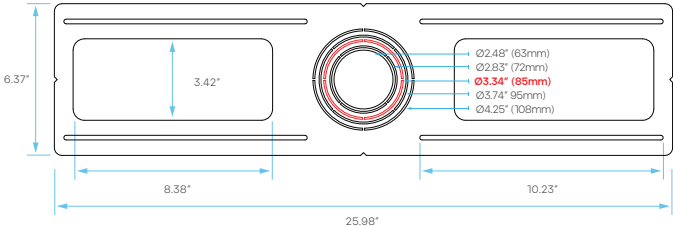
LR41010
KNOCKOUT
R0



LR41006
KNOCKOUT
1



LR41011
KNOCKOUT
2



LR232632

LEDRMP4/HO/5CCT/RD/WT/D



LR22640

LEDRMP4/HO/5CCT/SQ/WT/D



LR22632



LR22640

APERTURE	4"
DISTRIBUTION	FIXED
APPLICATION	NEW CONSTRUCTION/REMODEL

ELECTRICAL

POWER	15W
INPUT VOLTS	120V
INPUT CURRENT	125mA
FREQUENCY	60Hz
DIMMING TYPE	TRIAC
DIMMING RANGE	10-100%
FEED WIRE GAUGE	24AWG
BREAKER SPECIFICATION (15A @120V)	79pcs*

*Mathematically estimated value. Actual capacity may vary by breaker type and installation environment.

PHOTOMETRIC

COLOR CCT	2700K/3000K/3500K/4000K/5000K
CRI	80
LUMEN	LR22632: 1300lm LR22640: 1300lm
EFFICACY	LR22632: 87lm/w LR22640: 87lm/w
BEAM ANGLE	100°

CERTIFICATIONS & SAFETY

LR22632	ETL, ENERGY STAR
LR22640	ETL, ENERGY STAR
WET LOCATION	YES
IC RATED	YES
AIR TIGHT	NO
OPERATING TEMP.	-4°F to 104°F
COST/YR	\$ 1.80
WARRANTY	5 YR

MATERIAL & APPLICATION

HOUSING	ALUMINUM
LENS	PC
CUTOUT	Ø4.33"
MOUNTING TYPE	RECESSED
AREA OF APPLICATION	RESIDENTIAL, COMMERCIAL
CEILING TYPE	DRYWALL, WOOD

DRIVER

	POWER	INPUT VOLTS	INPUT CURRENT	FREQUENCY	INPUT POWER	OUTPUT VOLTAGE	DIMENSIONS	KNOCKOUTS
INCLUDED DRIVER	15W	120V	125mA	60Hz	15W max	36V DC	4.25"L X 3.5"W X 1.5"H	4

MODEL	DESCRIPTION	EM POWER	INPUT VOLTS	INPUT CURRENT	FREQUENCY	INPUT POWER	OUTPUT VOLTAGE	RECHARGE TIME	EMERGENCY TIME
LR35126**	LED/EMR/15W/AC/SF/E	15	100-347V	100mA	50/60Hz	12W max	170V DC	24HR	90MINS

*AMBIENT TEMPERATURE: 41°F ~ 122°F
*SOLD SEPARATELY

DIMENSIONS

CUTOUT: Ø4.33"

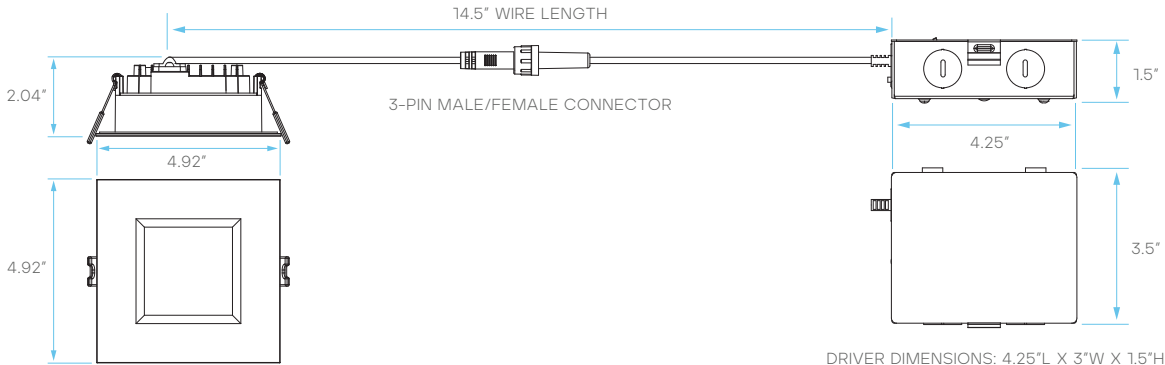
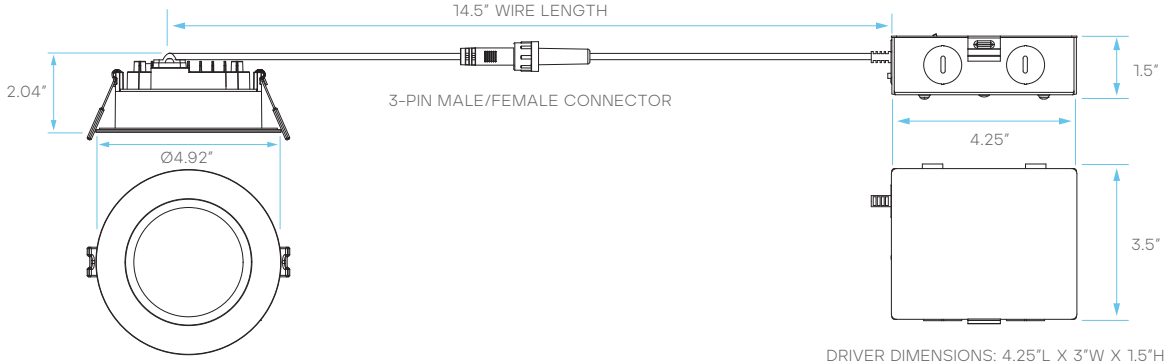
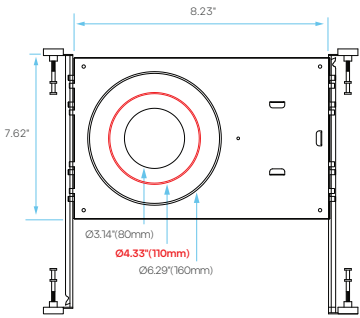


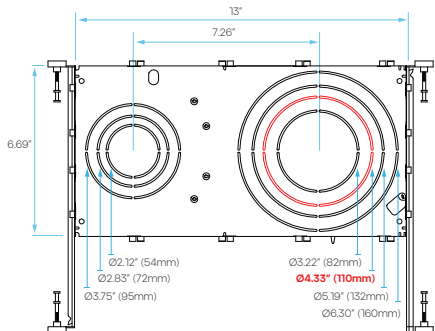
PLATE COMPATIBILITY*

*SOLD SEPARATELY

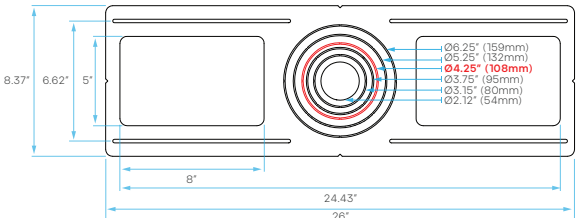
LR41002
KNOCKOUT
1



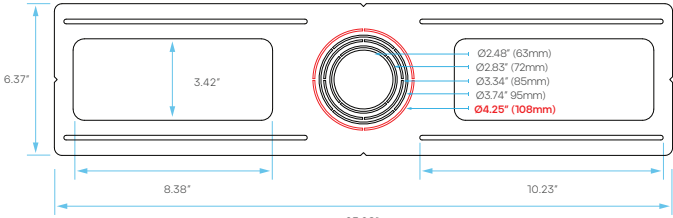
LR41010
KNOCKOUT
R1



LR41006
KNOCKOUT
3



LR41011
KNOCKOUT
4



LR22634
LEDRMP5/HO/5CCT/RD/WT/D



LR22642
LEDRMP5/HO/5CCT/SQ/WT/D



LR22634



LR22642

APERTURE	5"
DISTRIBUTION	FIXED
APPLICATION	NEW CONSTRUCTION/REMODEL

ELECTRICAL

POWER	18W
INPUT VOLTS	120V
INPUT CURRENT	150mA
FREQUENCY	60Hz
DIMMING TYPE	TRIAC
DIMMING RANGE	10-100%
FEED WIRE GAUGE	24AWG
BREAKER SPECIFICATION (15A @120V)	66pcs*

*Mathematically estimated value. Actual capacity may vary by breaker type and installation environment.

PHOTOMETRIC

COLOR CCT	2700K/3000K/3500K/4000K/5000K
CRI	80
LUMEN	LR22634: 1600lm
	LR22642: 1600lm
EFFICACY	LR22634: 89lm/w
	LR22642: 89lm/w
BEAM ANGLE	100°

CERTIFICATIONS & SAFETY

LR22634	ETL, ENERGY STAR
LR22642	ETL, ENERGY STAR
WET LOCATION	YES
IC RATED	YES
AIR TIGHT	NO
OPERATING TEMP.	-4°F to 104°F
COST/YR	\$ 2.16
WARRANTY	5 YR

MATERIAL & APPLICATION

HOUSING	ALUMINUM
LENS	PC
CUTOUT	Ø5.90"
MOUNTING TYPE	RECESSED
AREA OF APPLICATION	RESIDENTIAL, COMMERCIAL
CEILING TYPE	DRYWALL, WOOD

DRIVER

	POWER	INPUT VOLTS	INPUT CURRENT	FREQUENCY	INPUT POWER	OUTPUT VOLTAGE	DIMENSIONS	KNOCKOUTS
INCLUDED DRIVER	18W	120V	150mA	60Hz	18W max	36V DC	4.25"L X 3.5"W X 1.5"H	4

MODEL	DESCRIPTION	EM POWER	INPUT VOLTS	INPUT CURRENT	FREQUENCY	INPUT POWER	OUTPUT VOLTAGE	RECHARGE TIME	EMERGENCY TIME
LR35124**	LED/EMR/30W/AC/FC/E	30W	100-277V	100mA	50/60Hz	7W max	50-150V DC	24HR	90MINS

*AMBIENT TEMPERATURE: 32°F ~ 122°F
**SOLD SEPARATELY

DIMENSIONS

CUTOUT: Ø5.90"

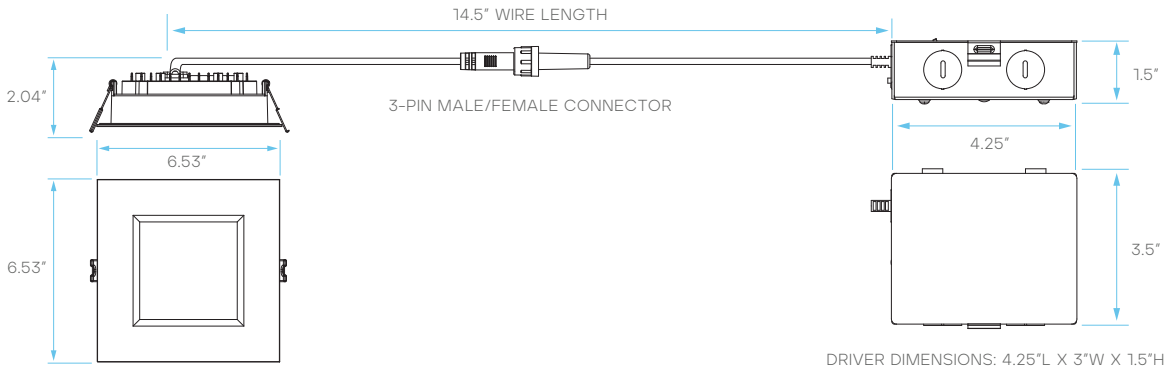
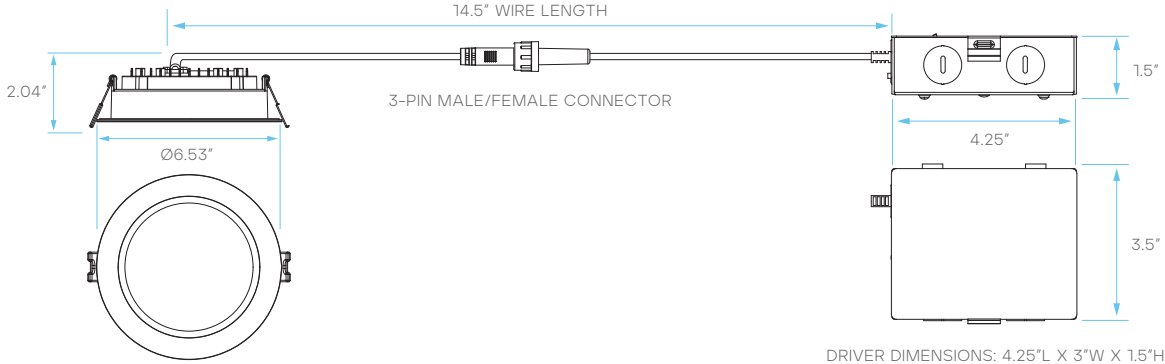
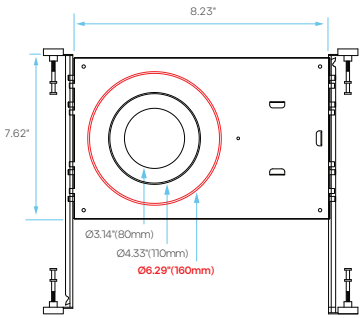


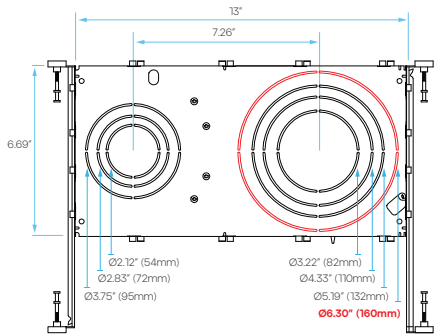
PLATE COMPATIBILITY*

*SOLD SEPARATELY

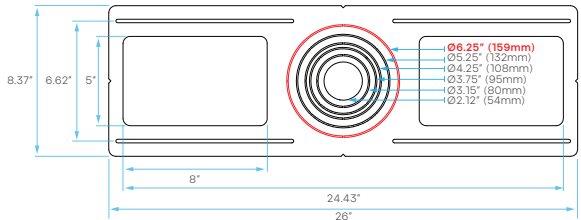
LR41002
KNOCKOUT
2



LR41010
KNOCKOUT
R3



LR41006
KNOCKOUT
5



LR22636
LEDRMP6/HO/5CCT/RD/WT/D



LR22644
LEDRMP6/HO/5CCT/SQ/WT/D



LR22636



LR22644

APERTURE	6"
DISTRIBUTION	FIXED
APPLICATION	NEW CONSTRUCTION/REMODEL

ELECTRICAL

POWER	18W
INPUT VOLTS	120V
INPUT CURRENT	150mA
FREQUENCY	60Hz
DIMMING TYPE	TRIAC
DIMMING RANGE	10-100%
FEED WIRE GAUGE	24AWG
BREAKER SPECIFICATION (15A @120V)	66pcs*

*Mathematically estimated value. Actual capacity may vary by breaker type and installation environment.

PHOTOMETRIC

COLOR CCT	2700K/3000K/3500K/4000K/5000K
CRI	80
LUMEN	LR22636: 1800lm
	LR22644: 1800lm
EFFICACY	LR22636: 100lm/w
	LR22644: 100lm/w
BEAM ANGLE	100°

CERTIFICATIONS & SAFETY

LR22636	ETL, ENERGY STAR
LR22644	ETL, ENERGY STAR
WET LOCATION	YES
IC RATED	YES
AIR TIGHT	NO
OPERATING TEMP.	-4°F to 104°F
COST/YR	\$ 2.16
WARRANTY	5 YR

MATERIAL & APPLICATION

HOUSING	ALUMINUM
LENS	PC
CUTOUT	Ø6.29"
MOUNTING TYPE	RECESSED
AREA OF APPLICATION	RESIDENTIAL, COMMERCIAL
CEILING TYPE	DRYWALL, WOOD

DRIVER

	POWER	INPUT VOLTS	INPUT CURRENT	FREQUENCY	INPUT POWER	OUTPUT VOLTAGE	DIMENSIONS	KNOCKOUTS
INCLUDED DRIVER	18W	120V	150mA	60Hz	18W max	36V DC	4.25"L X 3.5"W X 1.5"H	4

MODEL	DESCRIPTION	EM POWER	INPUT VOLTS	INPUT CURRENT	FREQUENCY	INPUT POWER	OUTPUT VOLTAGE	RECHARGE TIME	EMERGENCY TIME
LR35124**	LED/EMR/30W/AC/FC/E	30W	100-277V	100mA	50/60Hz	7W max	50-150V DC	24HR	90MINS

*AMBIENT TEMPERATURE: 32°F ~ 122°F
**SOLD SEPARATELY

DIMENSIONS

CUTOUT: Ø6.29"

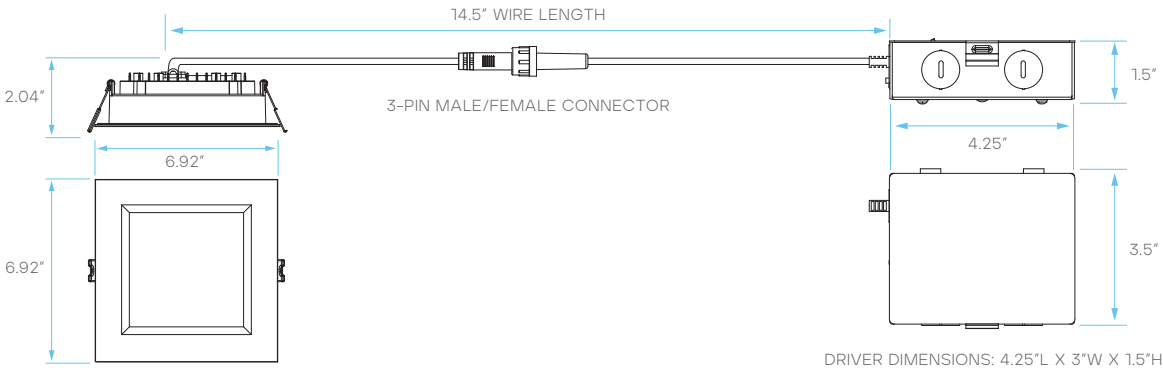
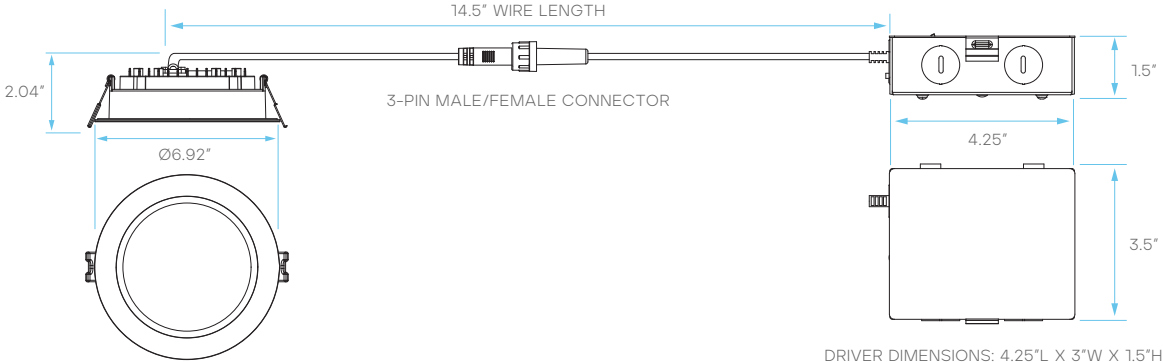
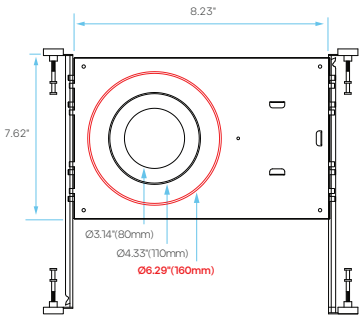


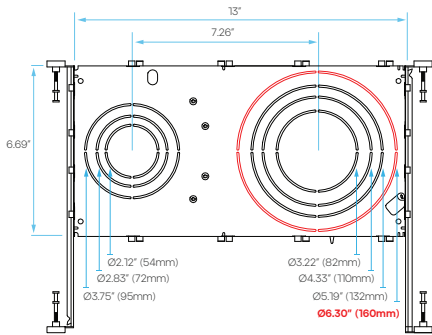
PLATE COMPATIBILITY*

*SOLD SEPARATELY

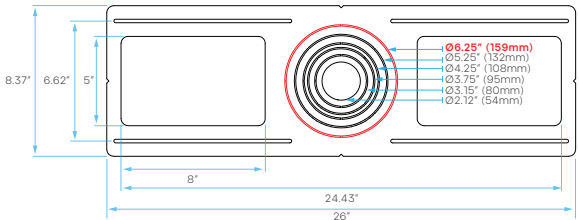
LR41002
KNOCKOUT
2



LR41010
KNOCKOUT
R3







LR41006
KNOCKOUT
5

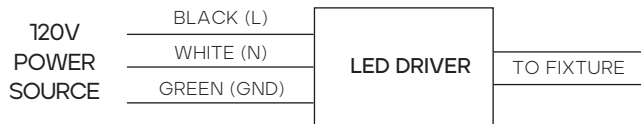


TRIM REPLACEMENT*

*SOLD SEPARATELY

	MODEL	DESCRIPTION	SIZE	FINISH	SHAPE	APPLICATION
	LR22650	LEDRMP3/HO/5CCT/TRIM/RD/BK	3"	BLACK	ROUND	FIXED
	LR22652	LEDRMP4/HO/5CCT/TRIM/RD/BK	4"	BLACK	ROUND	FIXED
	LR22654	LEDRMP5/HO/5CCT/TRIM/RD/BK	5"	BLACK	ROUND	FIXED
	LR22656	LEDRMP6/HO/5CCT/TRIM/RD/BK	6"	BLACK	ROUND	FIXED

WIRING DIAGRAM



SUGGESTED COMPATIBLE DIMMER*

LUTRON	CTCL-153P
	DVCL-153PDH
	DVCL-153P
LEVITON	6672
	6674
PASS & SEYMOUR	HCL453PTCCCV6

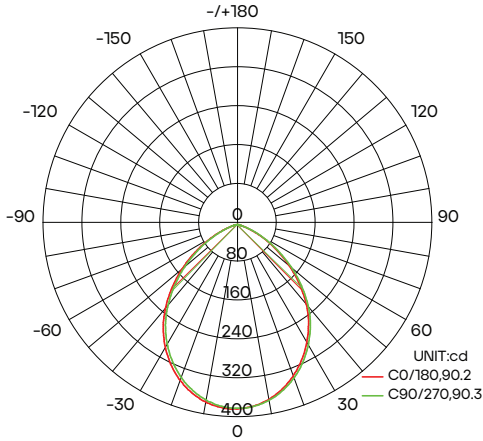
*Dimmer performance may vary based on load, wiring, and installation conditions. Inclusion on this chart does not guarantee compatibility for every installation, and omission does not indicate incompatibility. Refer to the dimmer manufacturer's installation instructions and verify minimum load requirements to avoid field issues.

PACKAGING

MODEL	STYLE	INNER BOX DIMENSIONS	MASTER CARTON DIMENSIONS	CASE
LR22628	INNER BOX + MASTER CARTON	4.33" X 4.13" X 8.26"	21.26" X 9.25" X 17.32"	20
LR22637	INNER BOX + MASTER CARTON	4.33" X 4.13" X 8.26"	21.26" X 9.25" X 17.32"	20
LR22630	INNER BOX + MASTER CARTON	6.29" X 4.56" X 4.09"	14.40" X 13.18" X 8.77"	12
LR22638	INNER BOX + MASTER CARTON	6.41" X 4.60" X 4.17"	14.52" X 13.42" X 8.93"	12
LR22632	INNER BOX + MASTER CARTON	5.98" X 4.48" X 5.23"	14.17" X 12.55" X 11.06"	12
LR22640	INNER BOX + MASTER CARTON	5.98" X 4.56" X 5.27"	14.29" X 12.55" X 11.14"	12
LR22634	INNER BOX + MASTER CARTON	7.40" X 4.56" X 6.96"	15.39" X 14.40" X 14.52"	12
LR22642	INNER BOX + MASTER CARTON	7.59" X 4.48" X 6.96"	15.78" X 14.17" X 14.52"	12
LR22636	INNER BOX + MASTER CARTON	7.75" X 4.68" X 7.28"	16.10" X 14.76" X 15.15"	12
LR22644	INNER BOX + MASTER CARTON	7.75" X 4.52" X 7.36"	16.10" X 14.29" X 15.31"	12

Luxrite® Luxiflow® tool is for informational purposes only, it is not intended to provide lighting or electrical advise.

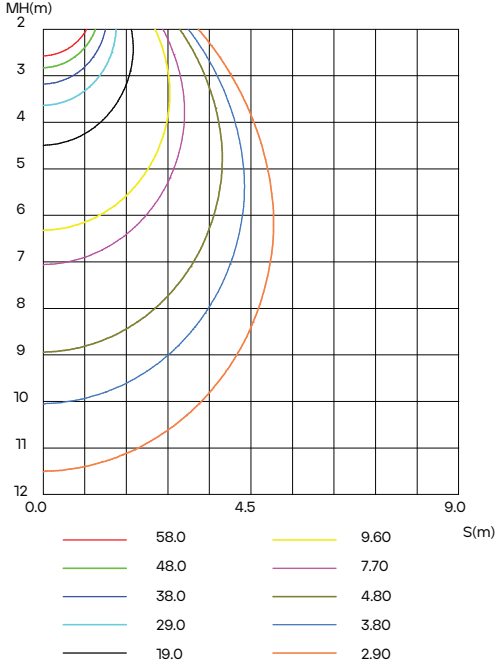
LUMINOUS INTENSITY DISTRIBUTION DIAGRAM



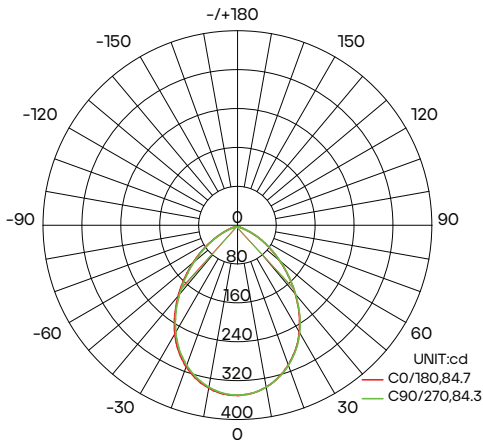
AVERAGE BEAM ANGLE(50%): 90.2 DEG

*DIAGRAM SHOWING LR22628 AT 2700K

C0 PLANE ISOLUX DIAGRAM (UNIT: lx)



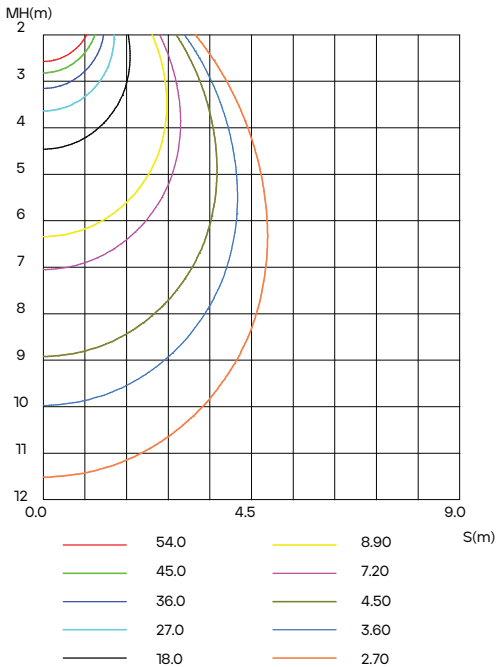
LUMINOUS INTENSITY DISTRIBUTION DIAGRAM



AVERAGE BEAM ANGLE(50%): 84.5 DEG

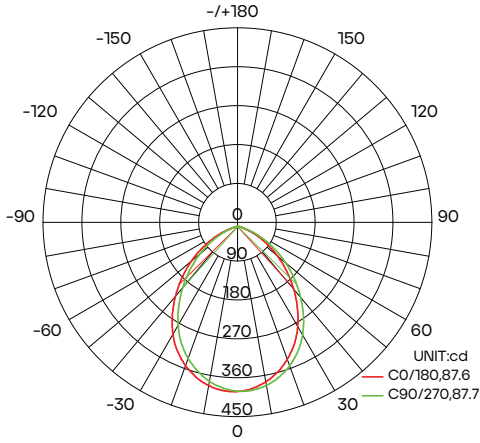
*DIAGRAM SHOWING LR22637 AT 2700K

C0 PLANE ISOLUX DIAGRAM (UNIT: lx)



Luxrite® Luxiflow® tool is for informational purposes only, it is not intended to provide lighting or electrical advise.

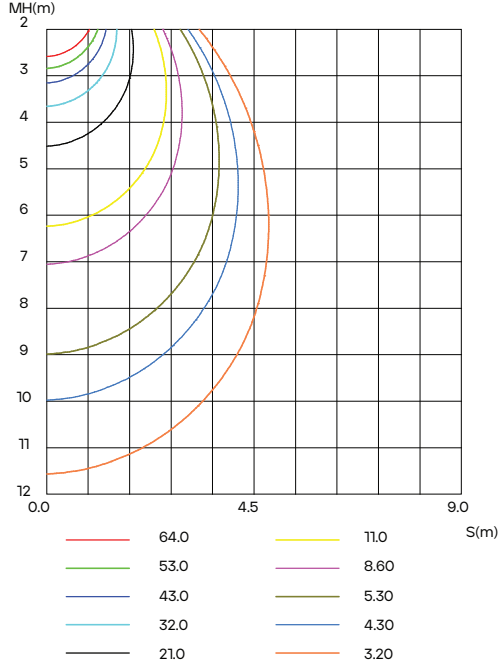
LUMINOUS INTENSITY DISTRIBUTION DIAGRAM



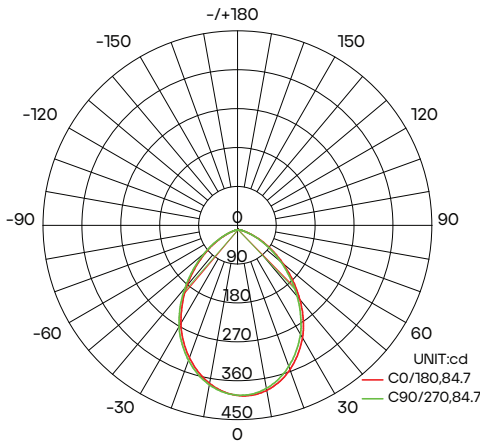
AVERAGE BEAM ANGLE(50%): 87.6 DEG

*DIAGRAM SHOWING LR22630 AT 2700K

C0 PLANE ISOLUX DIAGRAM (UNIT: lx)



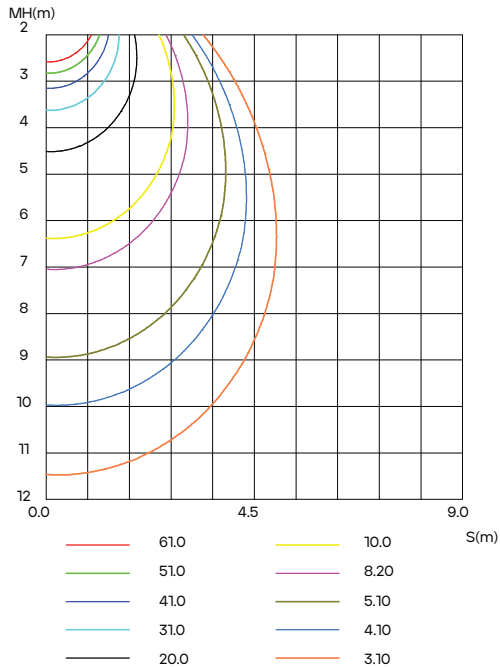
LUMINOUS INTENSITY DISTRIBUTION DIAGRAM



AVERAGE BEAM ANGLE(50%): 84.7 DEG

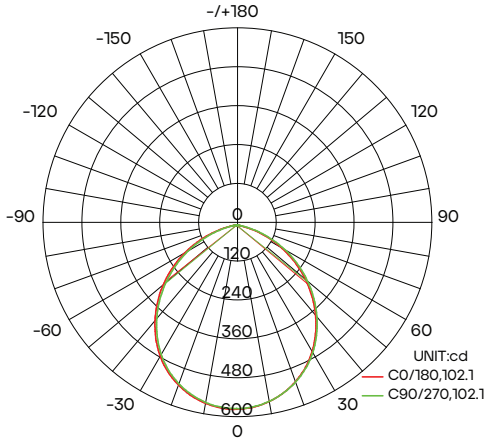
*DIAGRAM SHOWING LR22638 AT 2700K

C0 PLANE ISOLUX DIAGRAM (UNIT: lx)



Luxrite® Luxiflow® tool is for informational purposes only, it is not intended to provide lighting or electrical advise.

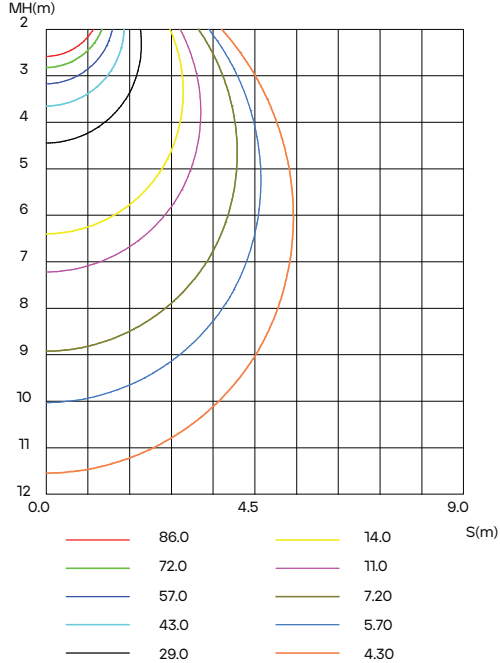
LUMINOUS INTENSITY DISTRIBUTION DIAGRAM



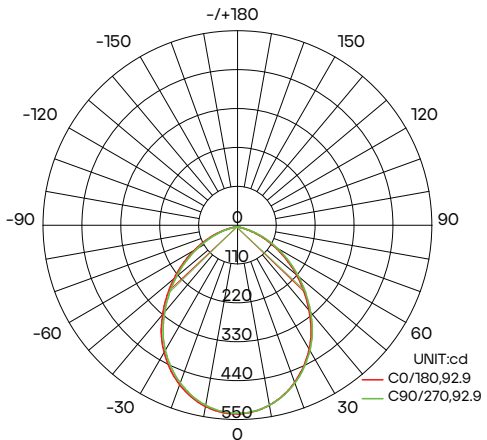
AVERAGE BEAM ANGLE(50%): 102.1 DEG

*DIAGRAM SHOWING LR22632 AT 2700K

C0 PLANE ISOLUX DIAGRAM (UNIT: lx)



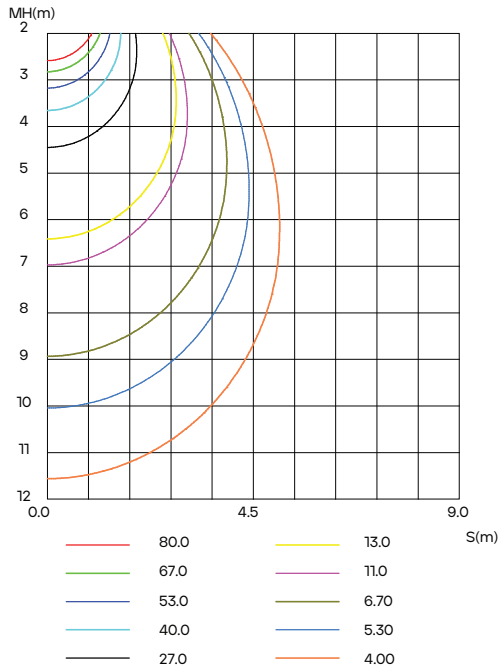
LUMINOUS INTENSITY DISTRIBUTION DIAGRAM



AVERAGE BEAM ANGLE(50%): 92.9 DEG

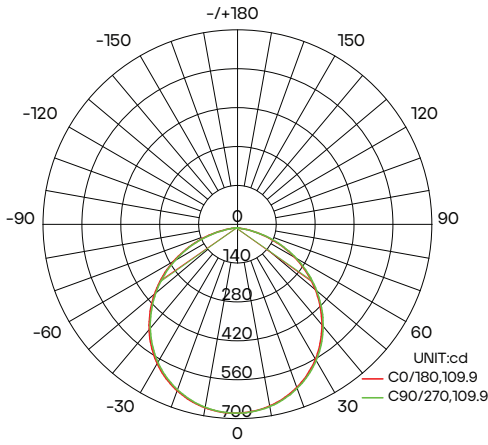
*DIAGRAM SHOWING LR22640 AT 2700K

C0 PLANE ISOLUX DIAGRAM (UNIT: lx)



Luxrite® Luxiflow® tool is for informational purposes only, it is not intended to provide lighting or electrical advise.

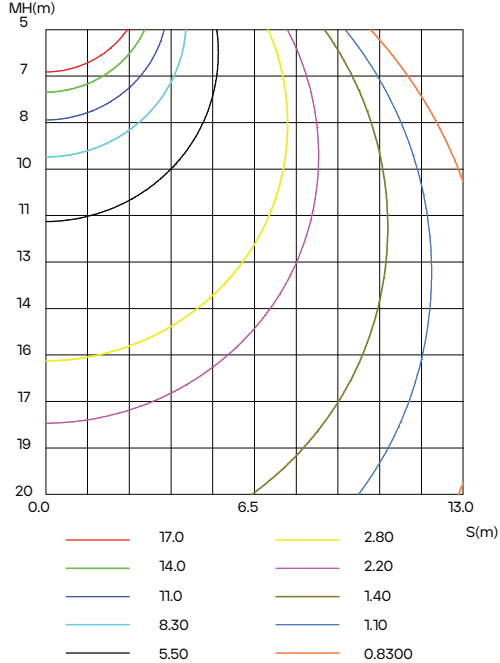
LUMINOUS INTENSITY DISTRIBUTION DIAGRAM



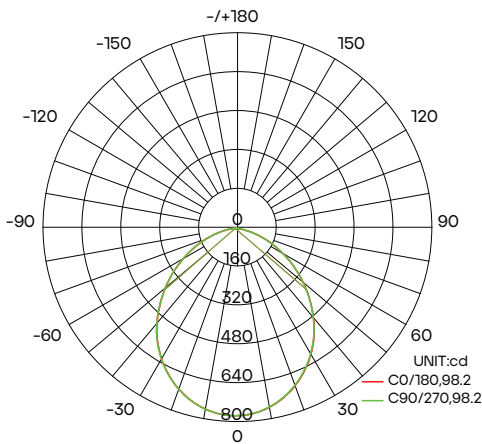
AVERAGE BEAM ANGLE(50%): 109.9 DEG

*DIAGRAM SHOWING LR22634 AT 2700K

CO PLANE ISOLUX DIAGRAM (UNIT: lx)



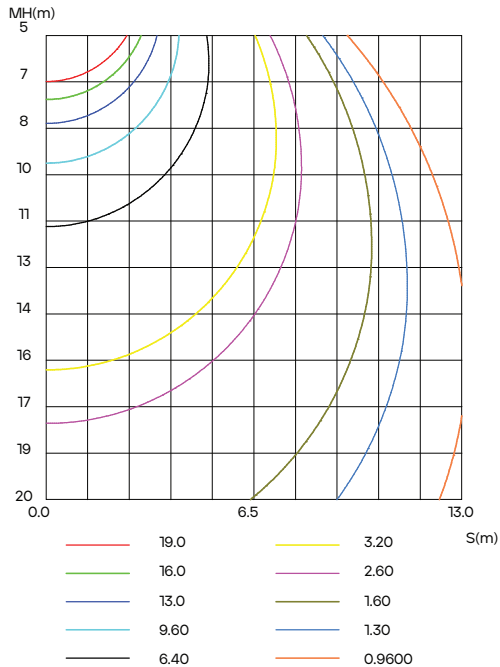
LUMINOUS INTENSITY DISTRIBUTION DIAGRAM



AVERAGE BEAM ANGLE(50%): 98.2 DEG

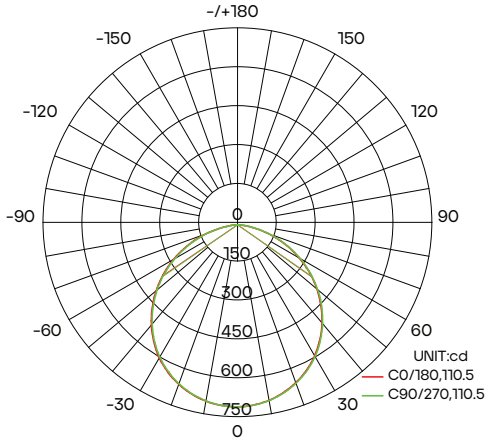
*DIAGRAM SHOWING LR22642 AT 2700K

CO PLANE ISOLUX DIAGRAM (UNIT: lx)



Luxrite® Luxiflow® tool is for informational purposes only, it is not intended to provide lighting or electrical advise.

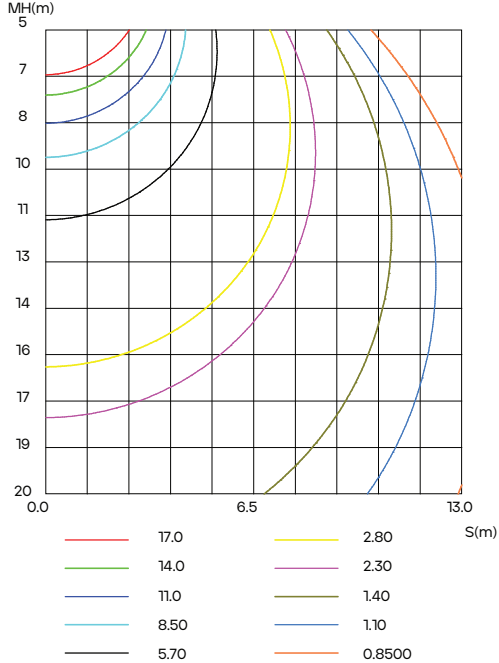
LUMINOUS INTENSITY DISTRIBUTION DIAGRAM



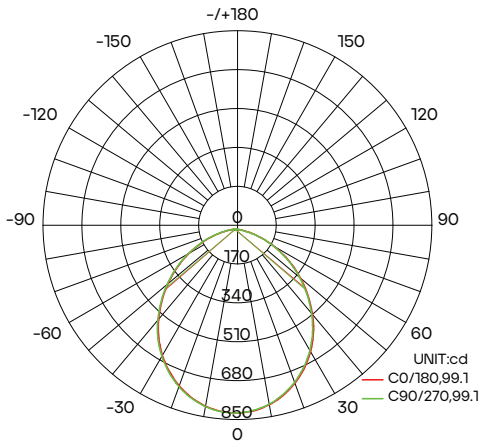
AVERAGE BEAM ANGLE(50%): 110.5 DEG

*DIAGRAM SHOWING LR22636 AT 2700K

CO PLANE ISOLUX DIAGRAM (UNIT: lx)



LUMINOUS INTENSITY DISTRIBUTION DIAGRAM



AVERAGE BEAM ANGLE(50%): 99.1 DEG

*DIAGRAM SHOWING LR22644 AT 2700K

CO PLANE ISOLUX DIAGRAM (UNIT: lx)

