

LED SLIM GARAGE CANOPY - 3 CCT & WATTAGE SELECTABLE LR40716, LR40719

PLEASE READ THESE INSTRUCTIONS CAREFULLY AND FOLLOW THEM. THIS WILL HELP PREVENT DAMAGE OF THE PRODUCT, EXTEND ITS LIFESPAN; AND IT WILL BE HELPFUL FOR YOUR NORMAL USE AND MAINTENANCE TO ENSURE YOUR SAFETY. PLEASE KEEP THESE INSTRUCTIONS FOR FUTURE REFERENCE.

WARNINGS

THE LED CANOPY LIGHT MUST BE INSTALLED IN ACCORDANCE WITH ALL APPLICABLE ELECTRICAL CODES BY PERSONS FAMILIAR WITH THE INSTALLATION, OPERATION, AND/OR MAINTENANCE OF THE PRODUCTS AND THE HAZARDS INVOLVED. THE LED CANOPY LIGHT MUST BE INSTALLED WITH UL LISTED LIQUID TIGHT CONDUIT FITTINGS.

1. RISK OF FIRE OR ELECTRIC SHOCK

1-1. Make sure the working voltage of LED canopy light is under its rated voltage.

1-2. Make sure the accessories and wires are completed and intact during the installation.

1-3. Installation requires knowledge of electrical systems. For install by qualified electrician only.

DO NOT ATTEMPT INSTALLATION IF NOT QUALIFIED.

1-4. This fixture should only be installed in place of existing luminaires that have the construction features and dimensions specified in this manual.

2. Do not expose any wire to edge of sheet metal and/of other sharp objects that may cause damage or abrasion.

3. Do not change existing open holes or create any additional open holes in the fixture or its components during installation.

CAUTIONS

1. Be certain electrical power is OFF before and during installation and maintenance.

2. To prevent wiring damage or abrasion, do not expose wiring to edges of sheet metal or other sharp objects.

3. Do not use the LED Canopy Light near heating appliances/elements.

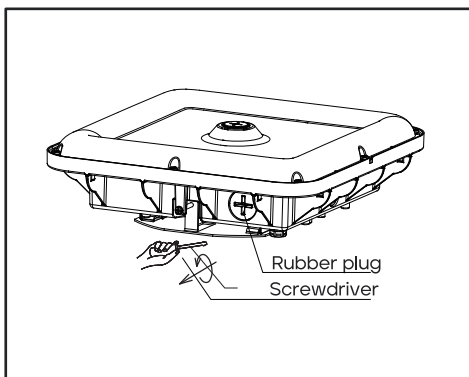
4. The input voltage and lamps should be matched after connecting the power line, please make sure the wiring section is insulated.

LED Canopy light must be operated within an ambient temperature range of -30° C (-22°F) and 40°C (104°F).

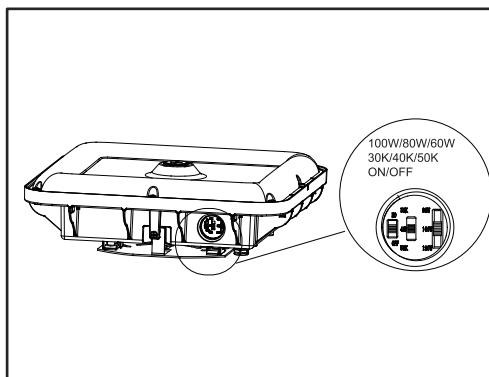
LED Canopy light is not intended for use with emergency exits.

INSTALLATION INSTRUCTIONS

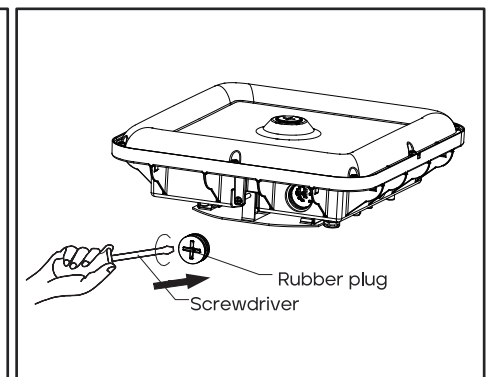
CCT & WATTAGE SELECTABLE INSTRUCTION



1. Use a large screwdriver to screw out the rubber plug in the middle.



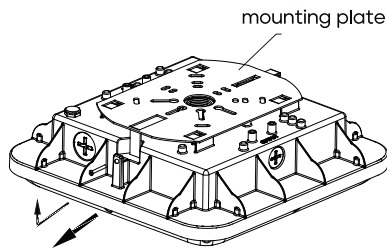
2. Finger through the thread hole to dial the CCT and Wattage Select switch to the desired color temperature and Wattage.



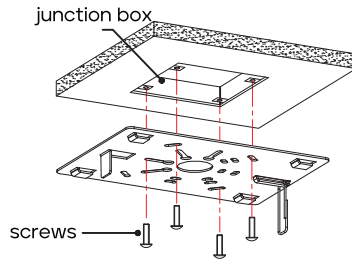
3. Use a large screwdriver to tighten the rubber stopper in the middle.

INSTALLATION METHOD I : CEILING INSTALLATION

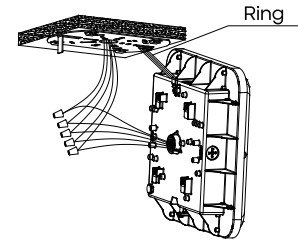
1. Loosen the screw to take off the mounting plate from the fixture.



2. Use screws to lock the mounting plate on the embedded junction box.



3. Hang the lamp on the ring so as to connect wires with terminal caps.



Input/Dimmer Lamp

Green —○— Green

White —○— White

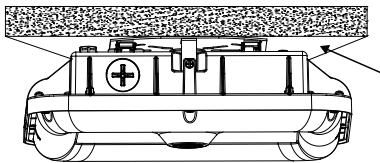
Black —○— Black

Dim- —○— Pink

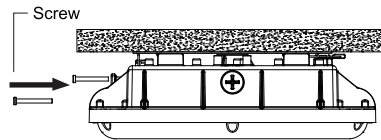
Dim+ —○— Purple

this connection can be omitted if with non-dim driver 0-10V Dimming

4. Hook up lamp on the mounting plate.



5. Secure the screw. Installation completed.



INSTALLATION METHOD II: POLE-PENDENT INSTALLATION

1. Connecting wires with terminal caps as image shows.



Input/Dimmer Lamp

Green —○— Green

White —○— White

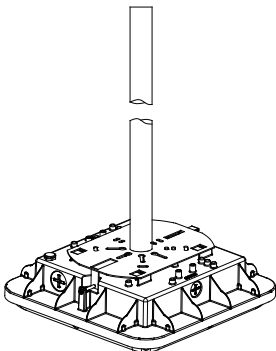
Black —○— Black

Dim- —○— Pink

Dim+ —○— Purple

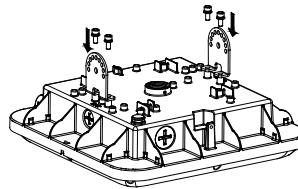
this connection can be omitted if with non-dim driver 0-10V Dimming

2. Rotating the steeve to make it fixed with lamp. Installation completed.

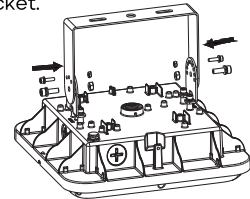


INSTALLATION METHOD III: MOUNTING BRACKET

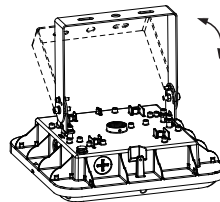
1. Secure the L-shaped bracket using an M4x14 Allen screw.



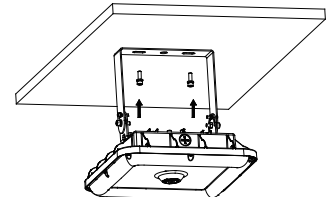
2. Fasten the large U-shaped bracket together with the L-shaped bracket.



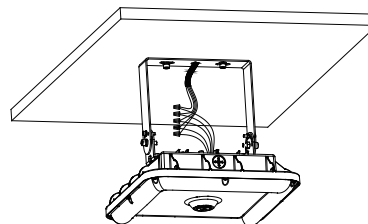
3. Adjust the U-shaped bracket to the appropriate angle, and then tighten the screws on both sides.



4. Mount the large U-shaped bracket onto the installation surface using M8*4 screws.



5. Before wiring, disconnect the power supply to ensure safety. Proceed with the wiring only after verifying safety. Pay attention that the input line and dimming line are not incorrect. Also, ensure that the junction box is waterproof.



Input/Dimmer Lamp

Green —○— Green

White —○— White

Black —○— Black

Dim- —○— Pink

Dim+ —○— Purple

this connection can be omitted if with non-dim driver 0-10V Dimming