

## Cluster™ LED LCA-2LEDR Unit & ELF652D Remote Head Series

Offered in a family concept, with exit combination units and remote



### Housing

- UV stabilized thermoplastic body
- Fully adjustable Cluster™ LED glare-free heads
- Choice of white or black housing

### Mounting

- Ceiling or wall mount
- Universal J-box mounting

### Lamp Type

- White LED 3.6V-3.6W, with life expectancy 50,000+ hours, 70 lumens per head

### Electronics

- Pulse plus charger
- Low voltage disconnect
- Automatic brownout protection
- Battery lock-out
- Fused output circuit
- Optional: Improved Diagnostics
- 120/277 60Hz

### Photometric performance

Spacing center-to-center (feet)	
7 feet mounting height	15 feet mounting height
15'	4'

### Sealed Maintenance-Free Battery

3.6V Nickel-Cadmium battery

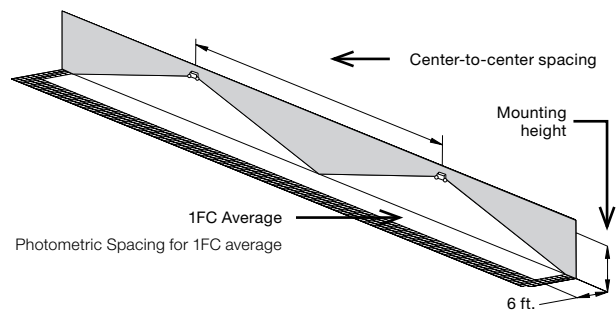
### Approvals

- UL 924 listed
- Damp location 50°F to 104°F (10°C to 40°C)
- UL 94, 5VA flame rated
- BC- California Energy Commission Title 20

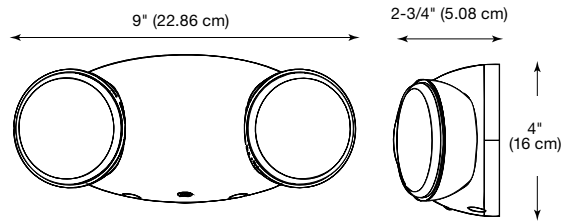
### Warranty (subject to proper installation and maintenance)

Three-year full warranty

Detailed warranty terms located on [page 197](#) or online at: [www.lightalarms.com](http://www.lightalarms.com)



**Dimensions** (Dimensions are approximate and subject to change)



**Power consumption chart**

	AC Specs	DC Specs
Series	120VAC, 60Hz	277VAC, 60Hz
LCA-2LEDR	0.191/0.92	0.129/1.62

**Ordering format - Battery unit**

Series	Lamp	Capacity	Color
<b>LCA</b>	<b>-2LED=</b> Cluster LED head style	<b>Blank=</b> No Remote <b>R=</b> Remote capacity <sup>1</sup> <b>RID=</b> Remote capacity with Improved Diagnostics <sup>1</sup>	<b>Blank=</b> Mist-white <b>B=</b> Black
<b>Example: LCA-2LEDR</b>			

<sup>1</sup> Remote Capacity can ONLY be used to power the Cluster™ LED ELF652D Remote Head or the extend the battery units emergency run time beyond the standard 90 minutes.

**ELF652D/LED Series**  
Indoor remote head

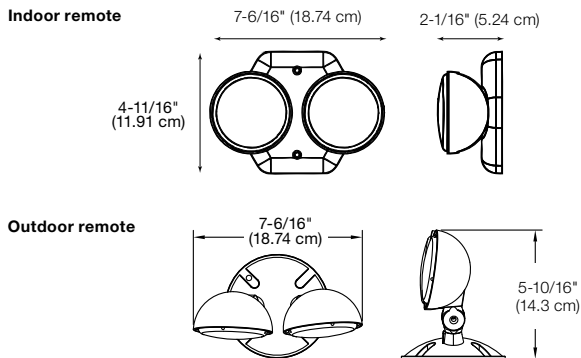


**ELF652D/LED-WP Series**  
Outdoor remote head



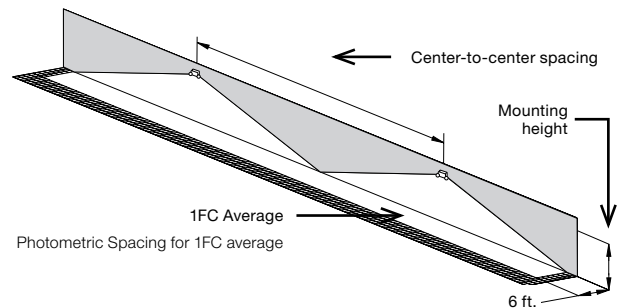
The Cluster™ LED ELF652D/LED Remote head can ONLY be powered from the UQLXN-2LED combo or LCA 2LED battery units of the same family. Used for internal or external applications, the indoor remote head draws 3.6V-3.6W and Weather-Proof head draws 3.6V-3.8W

**Dimensions**



**Photometric performance**

Spacing center-to-center (feet)	
7 feet mounting height	15 feet mounting height
15'	4'



**Ordering format**

Series	Number of heads	Lamp	Option
<b>ELF652</b>	<b>D=</b> Double head	<b>/LED=</b> Cluster™ LED head style	<b>Blank=</b> Indoor use only <b>-WP=</b> Weather-proof
<b>Example: ELF652D/LED</b>			