

LR22740
LED/SMP4/RGB/CCT/RD



LR22742
LED/SMP4/RGB/CCT/SQ



LR22740



LR22742

APERTURE	4"
DISTRIBUTION	FIXED
APPLICATION	NEW CONSTRUCTION & REMODEL

ELECTRICAL

POWER	10.5W
INPUT VOLTS	120V
INPUT CURRENT	87mA
FREQUENCY	50/60Hz
DIMMABLE	VIA APP
DIMMING RANGE	1-100%
FEED WIRE GAUGE	24AWG
BREAKER SPECIFICATION *(15A @120V)	114pcs*

*Mathematically estimated value. Actual capacity may vary by breaker type and installation environment.

CERTIFICATIONS & SAFETY

LR22740	ETL
LR22742	ETL
WET LOCATION	YES
IC RATED	YES
OPERATING TEMP.	-4°F to 113°F
COST/YR	\$ 1.26
WARRANTY	5 YR

PHOTOMETRIC

COLOR CCT	RGB+WW TUNABLE WHITE
CRI	90
LUMEN	861lm
EFFICACY	64lm/w
BEAM ANGLE	180°

MATERIAL & APPLICATION

MATERIAL	ALUMINUM
LENS	PC
CUTOUT	Ø4.3"
MOUNTING TYPE	RECESSED
AREA OF APPLICATION	RESIDENTIAL, COMMERCIAL
CEILING TYPE	DRYWALL/WOOD

COMPATIBILITY

VOICE CONTROL	YES
APP CONTROL	YES
WORKS WITH:	SMART LIFE APP, TUYA APP ALEXA, GOOGLE HOME

DRIVER

	POWER	INPUT VOLTS	INPUT CURRENT	FREQUENCY	INPUT POWER	OUTPUT VOLTAGE	DIMENSIONS	KNOCKOUTS
INCLUDED DRIVER	10.5W	120V	87mA	50/60Hz	10.5W max	36V DC	3.5"L X 3.5"W X 1.55"H	2

MODEL	DESCRIPTION	EM POWER	INPUT VOLTS	INPUT CURRENT	FREQUENCY	INPUT POWER	OUTPUT VOLTAGE	RECHARGE TIME	EMERGENCY TIME
LR35126**	LED/EMR/15W/AC/SF/E	15	100-347V	100mA	50/60Hz	12W max	170V DC	24HR	90MINS

*AMBIENT TEMPERATURE: 41°F ~ 122°F
**SOLD SEPARATELY

DIMENSIONS

CUTOUT: Ø4.3"

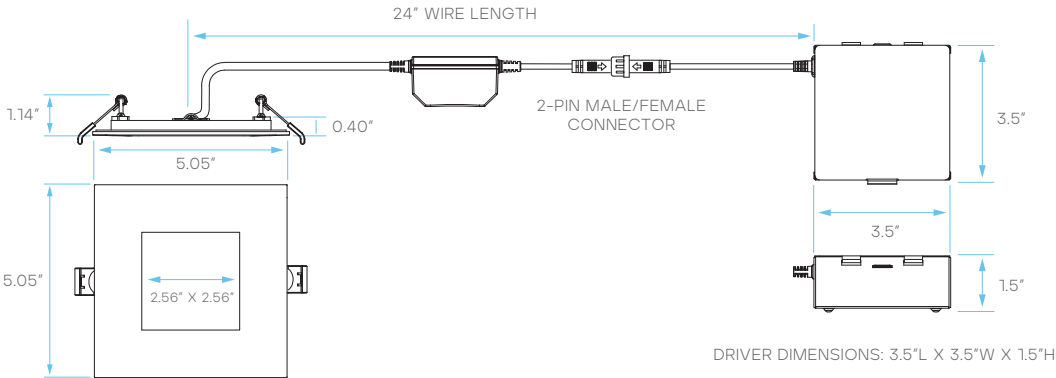
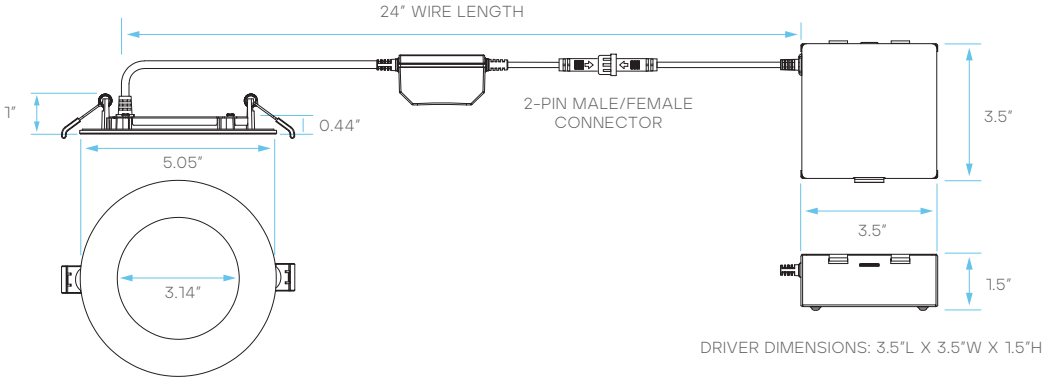
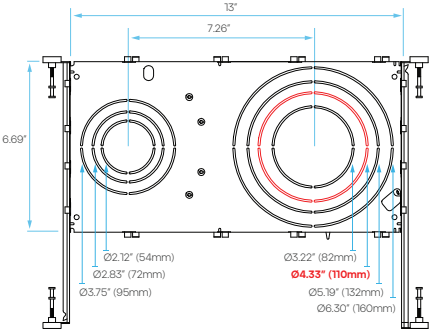


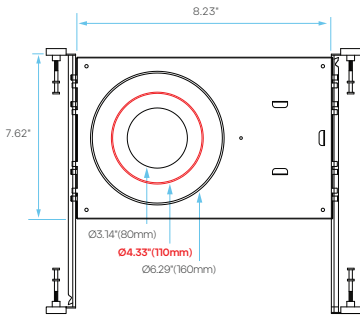
PLATE COMPATIBILITY*

*SOLD SEPARATELY

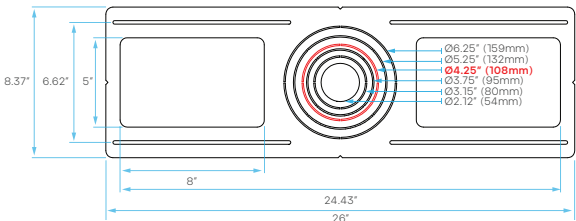
LR41010
KNOCKOUT
R1



LR41002
KNOCKOUT
1



LR41006
KNOCKOUT
3



LR41011
KNOCKOUT
4

