

PROJECT:

NOTES:



Customer Care
(714) 312-5080
customer care@magnitudeinc.com



VersaDrive Wireless Specification Sheet

**96W, 24V Constant Voltage Driver,
Wireless Switching & Dimming with
Integrated Lutron Vive module**

120-277V

24VDC

SELV

CLASS 2



Key Features

- Integrated pre-wired Lutron Vive wireless module
- Reliability of Lutron wireless Clear Connect RF Technology
- Adaptable, labor saving installations - no cutting holes or running wire for wall controls
- Wireless controls available in multiple styles & colors
- Compatible with High Density & COB LED products
- Constant power overload protection reduces field issues due to wire voltage or variation in LED tape

Specification Overview

- Smooth, flicker-free dimming down to 1%
- PWM output dimming method
- On-Off switching and dim-to-off with <4W standby power
- Universal input voltage 120 to 277VAC
- Constant Voltage 24VDC output
- 22VDC Aux Output (connect to occupancy sensors, etc.)
- UL Listed, dry location only
- 5-year warranty

ORDERING INFORMATION

Part Number	Description
VAWLV96L24DC	VersaDrive Wireless, Lutron Vive, 96W, 24VDC, 120-277VAC

ENCLOSURE DETAILS

Dimensions	Material	Finish	Environmental
8.5" W x 5.9" H x 1.6" D (216mm x 150mm x 40mm)	Stamped Steel	Powder Coat	Indoor, Dry Location

LUTRON ACCESSORIES*

Note:

Lutron controllers and sensors sold by others. Consult lutron.com for additional Vive compatible wireless controllers and sensors beyond what is shown here.



2 Button On/Off



2 Button + Dim Up/Down



3 Button w/ Scene



3 Button Up/Down + Scene



4 Button Up/Down + Scenes



Tabletop Pedestal



Wall Plates



Ceiling Occupancy Sensor



Wall Mount Sensor

Lutron Pico Wireless Controllers*	
Control Type	Part Number
2 Button On/Off	PJ2-2B
2 Button w/ Dim Up/Down	PJ2-2BRL
3 Button w/ Scene	PJ2-3B
3 Button Dim Up/Down + Scene	PJ2-3BRL
4 Button Dim Up/Down + Scenes	PJ2-4B
Tabletop Pedestal (no remote)	L-PED
Wall Plates	CA-x or SC-x

* Sold by others

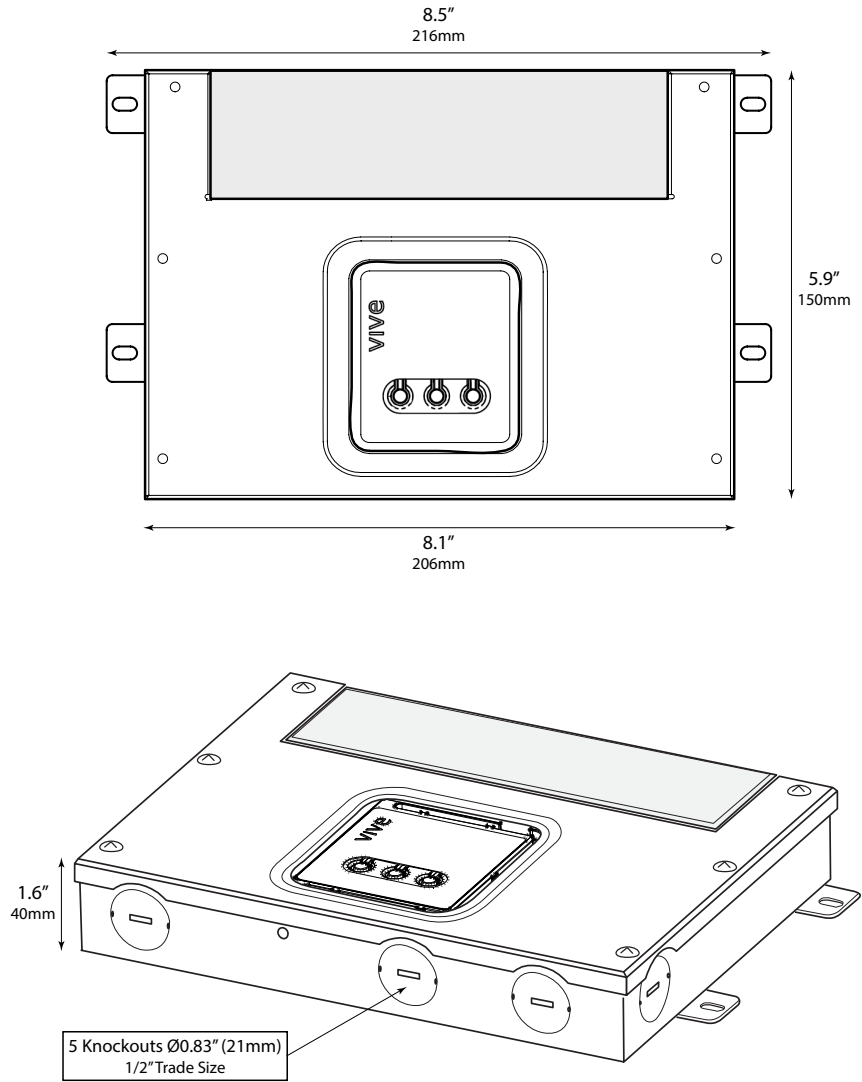
Lutron PowPak Wireless Sensors*	
Sensor Type	Part Number
Ceiling Mount Occupancy	LRF2-OCR2B-P
Wall Mount Occupancy	PJ2-2BRL
Corner Mount Occupancy	PJ2-3B
Hallway Mount Occupancy	PJ2-3BRL

* Sold by others

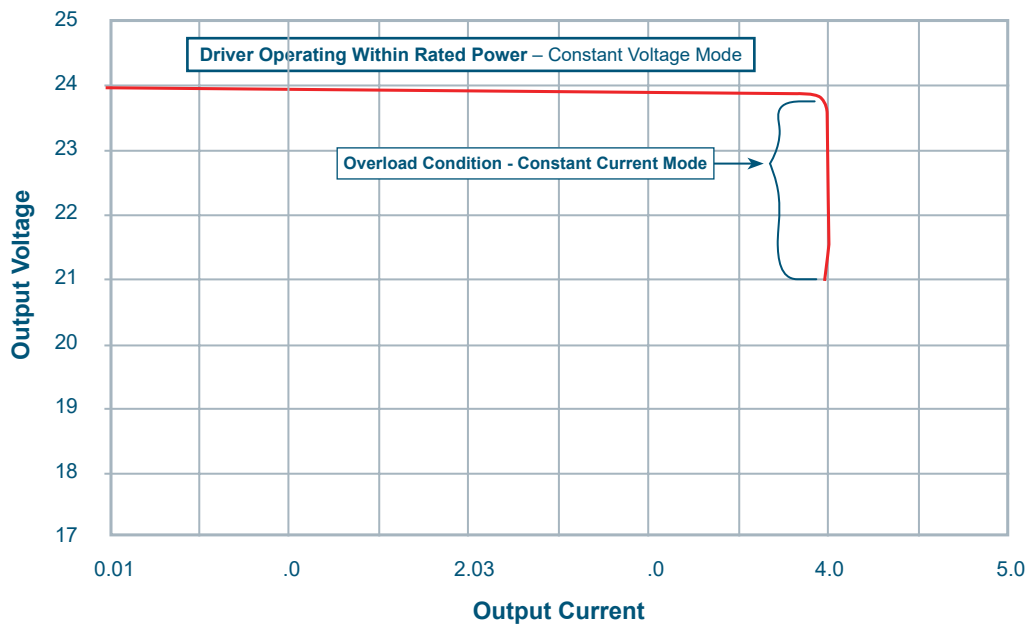
SPECIFICATIONS

Input	
Input Voltage Range	120 to 277VAC ± 10%
Input Frequency	50 / 60Hz
Input Current	1.14A @ 120V, 0.51A @ 277V
Inrush Current	80A @ 277V
Efficiency	84% @120V, 85% @ 277V
Power Factor	> 0.94 @ Max Load
THD	< 20% @ Max Load
Output	
Output Voltage	24VDC Constant Voltage
Max Load	96W
Output Current @ Maximum Load	4.0A
Output Dimming Method	PWM
Flicker	California Title 24 / JA8
Output Ripple (Peak-to-Peak)	< 9%
Line Regulation	± 5%
Load Regulation	± 5%
Turn On Delay Time	< 0.5 sec
Auxiliary Output Voltage	22VDC
Environmental	
Ambient Operating Temperature	-40°C to 60°C / (-40°F to 140°F)
Maximum Case Temp. (Tcase)	90°C (194°F)
Storage Temperature	-40°C to +85°C / (-40°F to 185°F)
Enclosure	IP20, Indoor Location
Expected Lifetime	≥ 85,000 hrs @Tc ≤ 60°C
Dimming	
Dimming Style	0-10V PWM
Minimum Dimming Level	1% w/ Dim to Off
Minimum Load for Dimming	8W
Dimming Curve	Linear
Protection	
Over Current Protection	Yes
Over Voltage Protection	Yes
Over Temperature Protection	Yes / Auto-Recovery
Overload Protection	Yes / Current Limit
Short Circuit Protection	Yes / Hiccup Mode Auto-Recovery
Connectors	
Lever Style Connectors	Pre-installed WAGO lever nuts on all wire leads
Connector Listing	UL
Approval Markings & Certifications	
Listing	UL8750
Certifications	Class 2

MECHANICAL DIAGRAMS



CURRENT LIMITING PROTECTION



- With VersaDrive, installers and designers can use LED lighting loads that match its full rated power. No derating is required
- VersaDrive’s current limiting protection avoids the problem of unwanted flashing or shut down due to the LED driver being at or near its maximum rated output
- This protection feature makes slight reduction to the output voltage, but the current stays constant. It’s the same effect as barely dimming the output to stay at the rated power
- The driver will not shut down upon an overload condition; no blinking lights and no driver resets

WIRING DIAGRAMS

