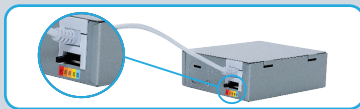
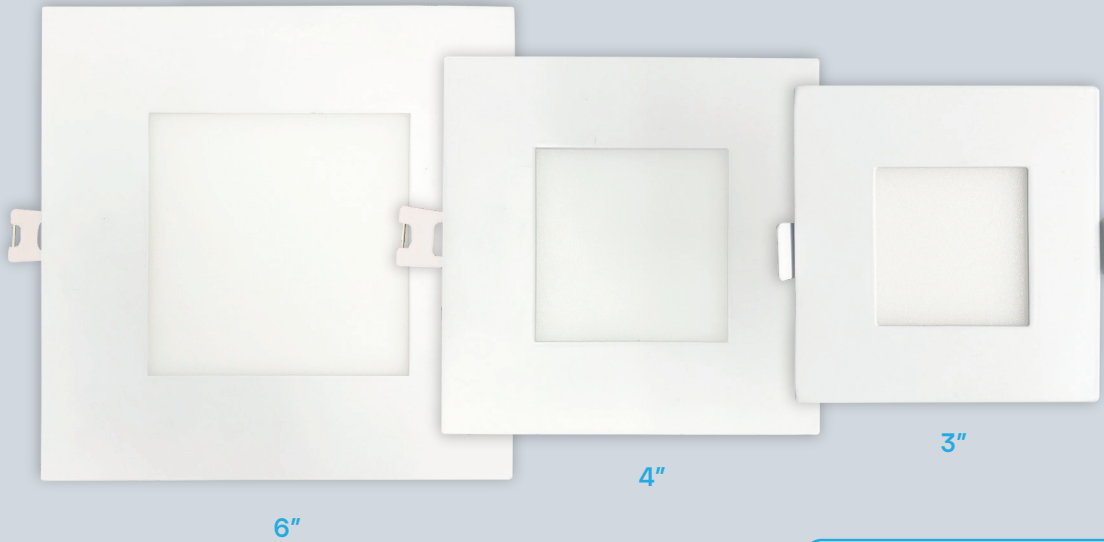


## LED SPOTLIGHT-CANLESS MINI PANEL - CCT SELECT

3", 4", 6"



5 CCT SWITCH ON DRIVER



ROUND BACK

**CRI  
80**

**COLOR SELECTABLE**

2700K 3000K 3500K 4000K 5000K

**DIMMABLE**

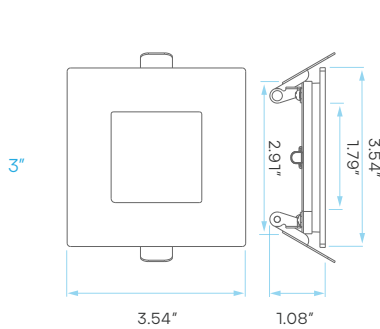
TRIAC

**IC  
RATED**

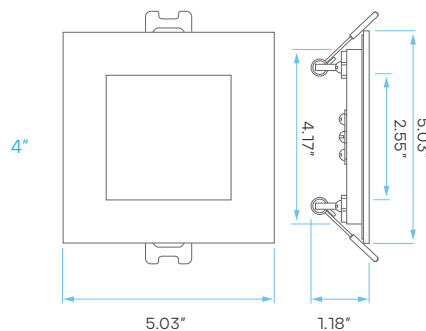
**AIR  
TIGHT**

**WET  
LOCATION  
RATED**

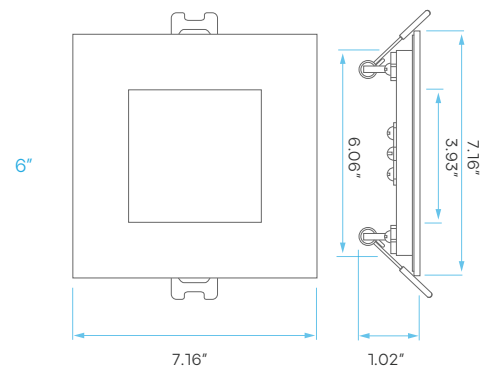
**5  
YEAR  
WARRANTY**



CUTOUT: Ø 3.07"



CUTOUT: Ø 4.25"



CUTOUT: Ø 6.3"

## ELECTRICAL

MODEL	DESCRIPTION	POWER	INPUT VOLTS	LUMEN EFFICACY	LIFETIME	COST/YR
3" LR23754	LED/MINI3/PANEL/5CCT/SQ2	8	120V	68	50,000	\$ 0.96
4" LR23759	LED/MINI4/PANEL/5CCT/SQ2	10	120V	70	50,000	\$ 1.20
6" LR23764	LED/MINI6/PANEL/5CCT/SQ2	12	120V	83	50,000	\$ 1.45

## PHOTOMETRIC

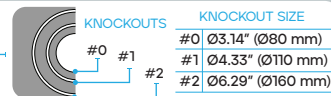
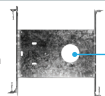
MODEL	DESCRIPTION	COLOR (CCT)	TEMP	LUMEN	CRI	ETL LISTED	PLATE (KNOCKOUT)
LR23754	LED/MINI3/PANEL/5CCT/SQ2	2700K/3000K/3500K/4000K/5000K	CCT SELECT	540	80	YES	LR41002 (#0) LR41006 (#1) LR41010(R0)
LR23759	LED/MINI4/PANEL/5CCT/SQ2	2700K/3000K/3500K/4000K/5000K	CCT SELECT	750	80	YES	LR41002 (#1) LR41006 (#3) LR41010(R1)
LR23764	LED/MINI6/PANEL/5CCT/SQ2	2700K/3000K/3500K/4000K/5000K	CCT SELECT	1000	80	YES	LR41002 (#2) LR41006 (#5) LR41010(R3)

COMPATIBLE WITH:

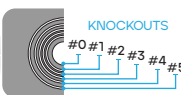
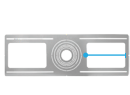
**LR35126**  
Emergency LED Driver



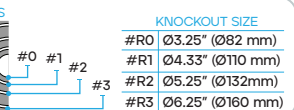
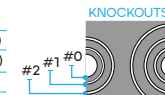
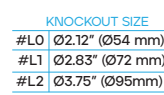
**LR41002**  
New Construction Mounting Plate



**LR41006**  
New Construction Mounting Plate



**LR41010**  
New Construction Mounting Plate



## TRIM REPLACEMENT

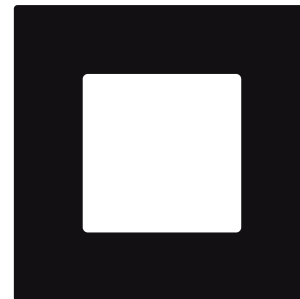
3"



4"



6"



MODEL	DESCRIPTION	TYPE	FINISH
3" LR23855	LED/MINI3/5CCT/SQ/TRIM/BK	3" SQUARE TRIM REPLACEMENT	BLACK
4" LR23773	LED/MINI4/5CCT/SQ/TRIM/BK	4" SQUARE TRIM REPLACEMENT	BLACK
6" LR23779	LED/MINI6/5CCT/SQ/TRIM/BN	6" SQUARE TRIM REPLACEMENT	BLACK

## 120-277V DRIVER

\*SOLD SEPARATELY

MODEL	DESCRIPTION	POWER	INPUT	OUTPUT
10W LR23767	LED/MINI4/5CCT/UNV/DRIVER	10.5	120-277V	20-35DAC
12W LR23768	LED/MINI6/5CCT/UNV/DRIVER	12	120-277V	20-35DAC

