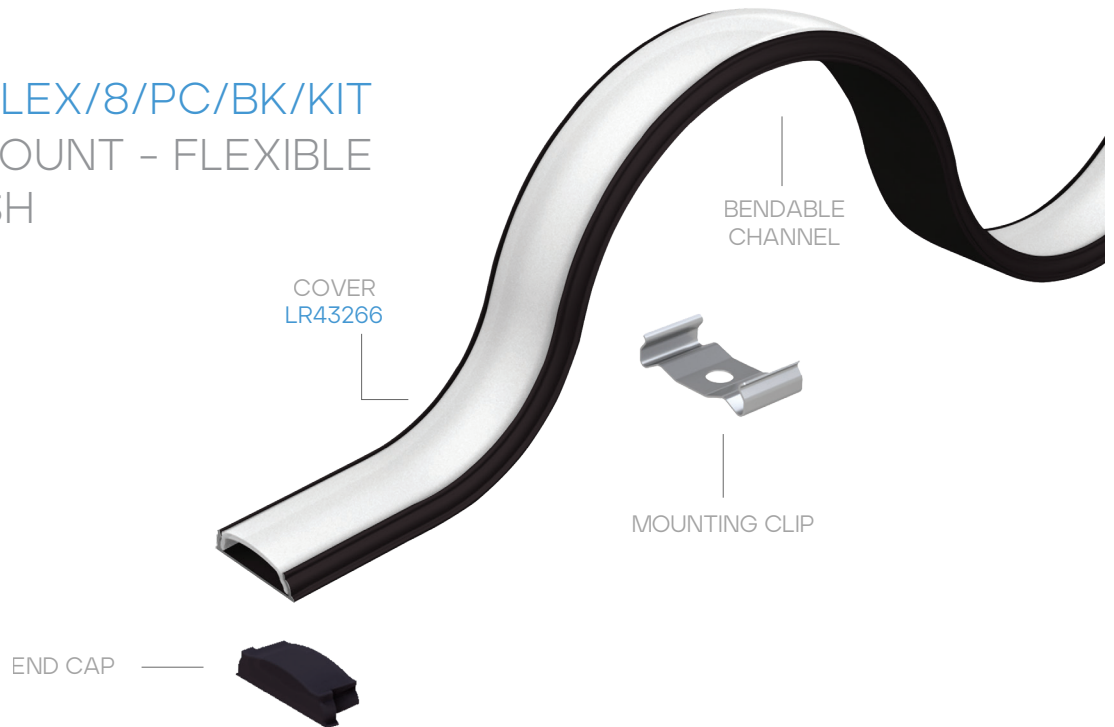


LR43262

LED/CNLS/FLEX/8/PC/BK/KIT
SURFACE MOUNT - FLEXIBLE
BLACK FINISH



BUNDLE COMPONENTS (INCLUDED)

END CAP

PC COVER: LR43266 - LED/CNLS/FLEX/CVR/PC

SPECIFICATIONS

LENGTH:	96"
MATERIAL:	ALUMINUM
END CAP MATERIAL:	PVC
COVER:	MILKY PC
FINISH:	BLACK
FIELD CUTTABLE:	YES
LOCATION:	DRY

BENDING TOLERANCE:

MINIMUM DIAMETER: 3.93" (100MM)

*DO NOT RE-BEND AT THE SAME SPOT TO AVOID DAMAGE.

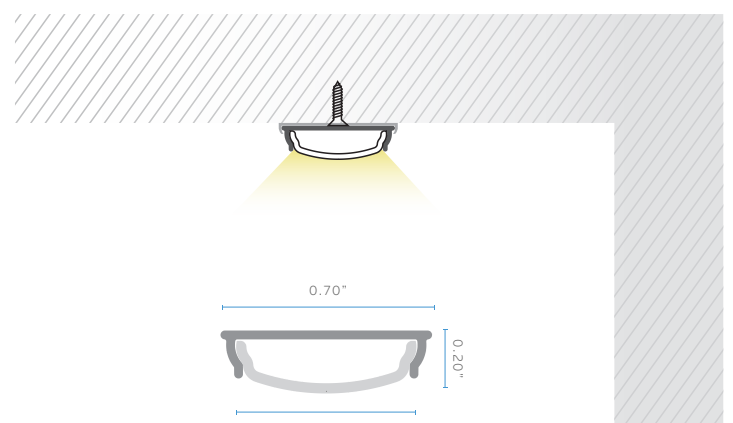
TAPE LIGHT COMPATIBILITY:

POWER RATE: ≤12W/M

TAPE WIDTH: ≤10MM

· LR44100 · LR44101 · LR44102 · LR44103 · LR44104
· LR44120 · LR44121 · LR44122 · LR44123 · LR44124

INSTALLATION



DIMENSIONS