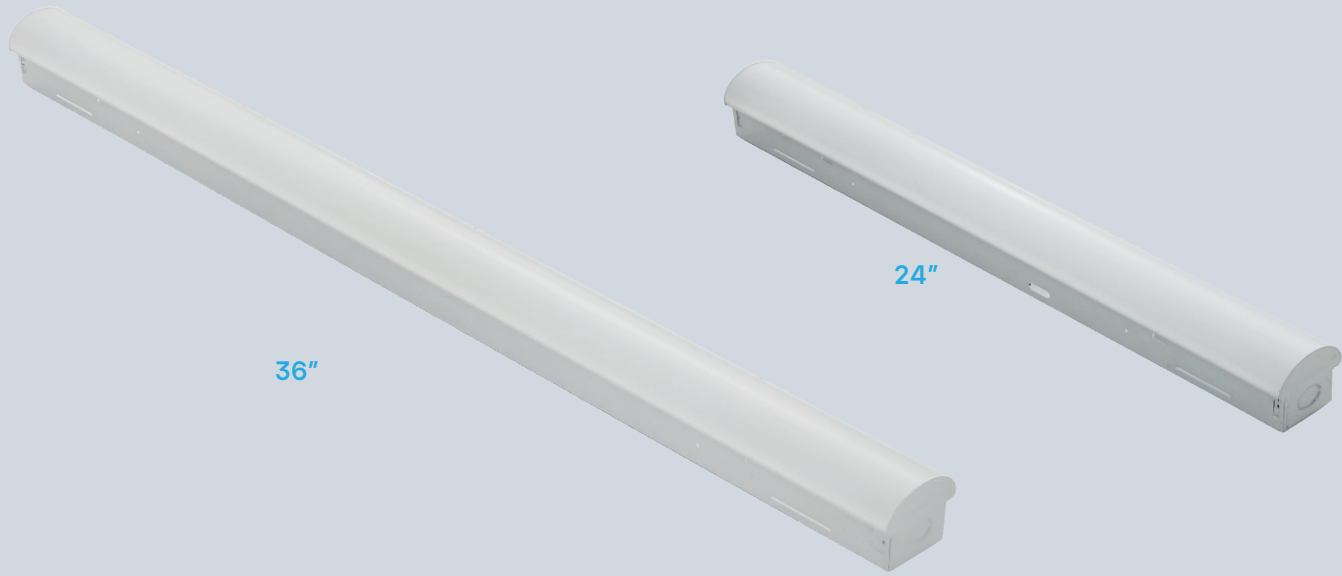


LED LINEAR STRIP WIDE - HIGH OUTPUT 24", 36" - CCT SELECT



**EMERGENCY + MOTION SENSOR
OPTION ALSO AVAILABLE**

LR25191+EM LR25193+EM	LR25191+EM+MS LR25193+EM+MS	LR25191+MS LR25193+MS
BATTERY BACKUP	MOTION SENSOR	MOTION SENSOR

**CCT SELECT
3500K - 5000K**

CCT SELECT SWITCH
ON THE SIDE

**CRI
80**

COLOR SELECTABLE

3500K | 4000K | 5000K

DIMMABLE

0-10V

MOTION SENSOR

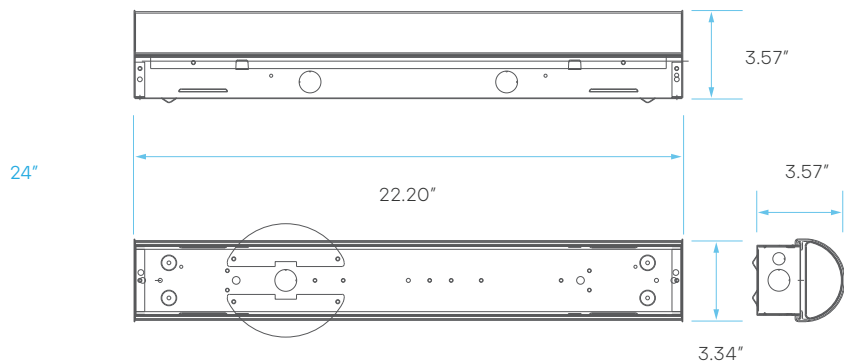
*OPTION AVAILABLE

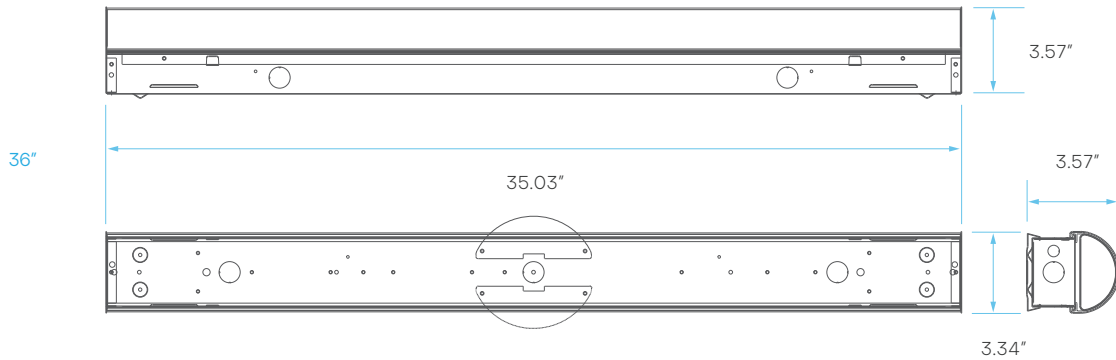
BATTERY BACKUP

*OPTION AVAILABLE

DAMP LOCATION RATED

5
YEAR WARRANTY





ELECTRICAL

	MODEL	DESCRIPTION	POWER	INPUT VOLTS	EFFICACY	LIFETIME	COST/YR	EMERGENCY TIME	MOTION SENSOR
24"	LR25191	LED24/WLINEAR/3CCT/UNV/D/HO	20	120-277V	131 @ 3500K	50,000	\$ 2.41		
					132 @ 4000K				
					132 @ 5000K				
	LR25191+EM	LED24/WLINEAR/3CCT/UNV/D/HO+EM	20	120-277V	131 @ 3500K 132 @ 4000K 132 @ 5000K	50,000	\$ 2.41	90 MINS	
LR25191+EM+MS	LED24/WLINEAR/3CCT/UNV/D/HO+EM+MS	20	120-277V	131 @ 3500K 132 @ 4000K 132 @ 5000K	50,000	\$ 2.41	90 MINS	BI-LEVEL	
	LR25191+MS	LED24/WLINEAR/3CCT/UNV/D/HO+MS	20	120-277V	131 @ 3500K 132 @ 4000K 132 @ 5000K	50,000	\$ 2.41		BI-LEVEL
36"	LR25193	LED36/WLINEAR/3CCT/UNV/D/HO	25	120-277V	138 @ 3500K	50,000	\$ 3.01		
					139 @ 4000K				
					140 @ 5000K				
	LR25193+EM	LED36/WLINEAR/3CCT/UNV/D/HO+EM	25	120-277V	138 @ 3500K 139 @ 4000K 140 @ 5000K	50,000	\$ 3.01	90 MINS	
LR25193+EM+MS	LED36/WLINEAR/3CCT/UNV/D/HO+EM+MS	25	120-277V	138 @ 3500K 139 @ 4000K 140 @ 5000K	50,000	\$ 3.01	90 MINS	BI-LEVEL	
	LR25193+MS	LED36/WLINEAR/3CCT/UNV/D/HO+MS	25	120-277V	138 @ 3500K 139 @ 4000K 140 @ 5000K	50,000	\$ 3.01		BI-LEVEL

PHOTOMETRIC

MODEL	DESCRIPTION	COLOR (CCT)	TEMP	LUMEN	CRI	UL LISTED
LR25191	LED24/WLINEAR/3CCT/UNV/D/HO	3500K/4000K/5000K	CCT SELECT	2620 @ 3500K	80	YES
				2640 @ 4000K		
				2660 @ 5000K		
LR25191+EM	LED24/WLINEAR/3CCT/UNV/D/HO+EM	3500K/4000K/5000K	CCT SELECT	2620 @ 3500K	80	YES
				2640 @ 4000K		
				2660 @ 5000K		
LR25191+EM+MS	LED24/WLINEAR/3CCT/UNV/D/HO+EM+MS	3500K/4000K/5000K	CCT SELECT	2620 @ 3500K	80	YES
				2640 @ 4000K		
				2660 @ 5000K		
LR25191+MS	LED24/WLINEAR/3CCT/UNV/D/HO+MS	3500K/4000K/5000K	CCT SELECT	2620 @ 3500K	80	YES
				2640 @ 4000K		
				2660 @ 5000K		
LR25193	LED36/WLINEAR/3CCT/UNV/D/HO	3500K/4000K/5000K	CCT SELECT	3450 @ 3500K	80	YES
				3475 @ 4000K		
				3500 @ 5000K		
LR25193+EM	LED36/WLINEAR/3CCT/UNV/D/HO+EM	3500K/4000K/5000K	CCT SELECT	3450 @ 3500K	80	YES
				3475 @ 4000K		
				3500 @ 5000K		
LR25193+EM+MS	LED36/WLINEAR/3CCT/UNV/D/HO+EM+MS	3500K/4000K/5000K	CCT SELECT	3450 @ 3500K	80	YES
				3475 @ 4000K		
				3500 @ 5000K		
LR25193+MS	LED36/WLINEAR/3CCT/UNV/D/HO+MS	3500K/4000K/5000K	CCT SELECT	3450 @ 3500K	80	YES
				3475 @ 4000K		
				3500 @ 5000K		

COMPATIBLE WITH:

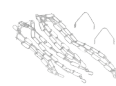
LR35120
LR35121
Emergency LED Driver



LR25177
SLIM LINEAR
PENDANT



LR25179
SLIM LINEAR
SUSPENSION KIT

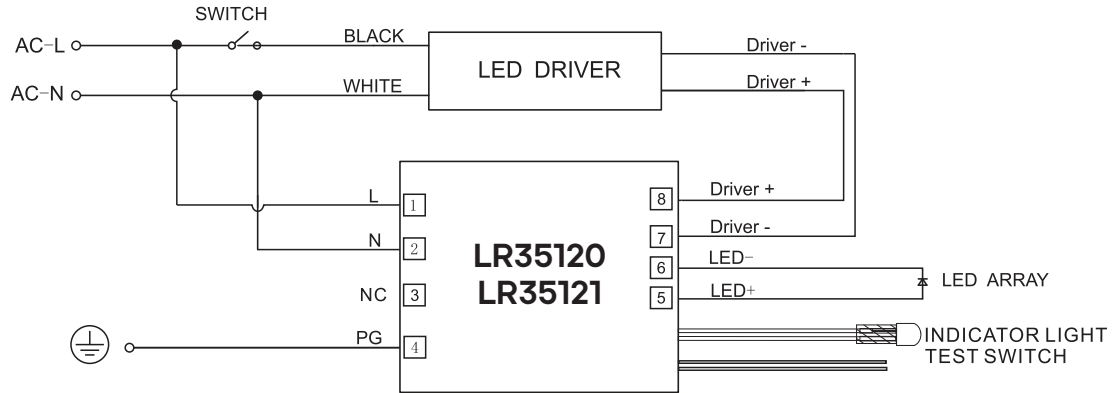


LR35120, LR35121 - SPECIFICATIONS

MODEL	DESCRIPTION	EM POWER	INPUT VOLTS	FREQUENCY	INPUT CURRENT	INPUT POWER	OUTPUT VOLTAGE	RECHARGE TIME	EMERGENCY TIME
LR35120	LED/EMR/8W/DC	8	100-277V	50/60Hz	100mA	7W max	25-48VDC	24Hr	90min
LR35121	LED/EMR/15W/DC	15	100-277V	50/60Hz	100mA	7W max	25-48VDC	24Hr	90min

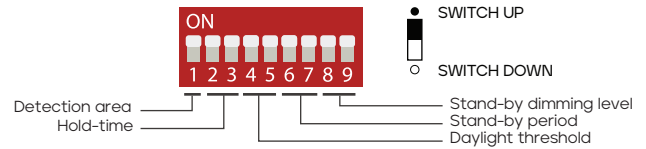
AMBIENT TEMPERATURE: 32°F ~ 104°F

WIRING DIAGRAM



LR25190 - BI-LEVEL MOTION SENSOR SETTINGS

Operating voltage	120-277VAC,50Hz/60Hz
Switching capacity	Max,3.0A@120Vac,50/60Hz; Max,2.0A@277Vac,50/60Hz
Stand-by power	≤1W
Control method	On/off / 1-10V Dimming Remote Control
Microwave frequency	5.8GHz±75MHz
Microwave power	<0.3mW
Detection area	50%/100%
Hold time	5s/30s/1min/10min
Daylight threshold	2Lux/10Lux/50Lux/Disable
Stand-by period	0s/30s/20min/+∞
Stand-by dimming level	10%/20%/30%/50%
Mounting height	8-15m /26.25-49.2ft
Detection range	Max.ø14m/45.93ft
Motion detection	0.5~1.5m/s
Operating temperature	-30°C~+70°C
IP rating	IP20
Warranty	5 years



● ●	100%
○ ●	50%

DETECTION AREA

In this area, movement will be detected and able to trigger the sensor. 100% detection area is also known as the strong sensitivity.

● ●	5s
○ ●	30s
● ○	1min
○ ○	10min

HOLD-TIME

The period of light keeping 100% brightness after moving objects leave the detection area.

● ●	Disable
○ ●	50Lux
● ○	10Lux
○ ○	2Lux

DAYLIGHT TRESHOLD

Definition of the ambient brightness; only when the ambient brightness is lower than the preset specific lux amount, the sensor will work; when it's preset as "disable", the sensor works everytime it detects motion regardless the ambient brightness.

● ●	0s
○ ●	30s
● ○	20min
○ ○	+ ∞

STAND-BY PERIOD

The period of light keeping low output before it's completely switched off. When it's preset as "+∞", the light always keep at low output if no movement in the detection area and doesn't turn off.

● ●	10%
○ ●	20%
● ○	30%
○ ○	50%

STAND-BY DIMMING LEVEL

The definition of low output in the standby period.