

SKYLINE

FLOOD LIGHT SERIES



FEATURES

- Specification Grade die-cast aluminum housing
- Bronze polyester powder coat finish (standard)
- Custom and factory select colors available
- High Performance Medium, Wide, Forward, & Very Wide optic distributions
- Universal Adjustable Pole Mount Allows for 1 man installation on existing poles with no drilling required
- 5 Different Optional Mounting Methods (3G Rated¹)
- Single Fastener hinged door driver access
- 120-277V Universal Voltage or 347-480V High Voltage
- 0-10V Dimmable Driver (std.)
- PIR Occupancy, Photocell, & Bi-Level Dimming Sensors Available
- 3-Pin & 7-Pin ANSI C136.41 Control Receptacle Options
- Wireless control integrated luminaire
- 3000K, 4000K & 5000K CCT
- >70 Color Rendering Index (CRI)
- Calculated L80 >100,000 hrs @ 25°C per TM-21-11
- IP66 Rated Luminaire
- 5 Year Warranty; 10 Year Optional Warranty²
- ETL Listed for Wet Locations



* Shown with UAB Mounting

¹ TRN & SLPF 1.5G Rated ² Requires additional Surge Protection (SP1, SP2, SP480V2); For additional details see General Terms and Conditions



SUITABLE APPLICATIONS

- Parking Lots
- Parking Structure
- Parks
- Education
- Hospitals
- Car Dealerships
- Shopping Centers
- Distribution/Warehouse

ORDERING GUIDE

SERIES	LUMENS	VOLTAGE	CCT	DISTRIBUTION	MOUNTING	FINISH	WARRANTY
SFS Small	6L 6,000 lm	U 120-277v	30 3000K	MD Medium (4x4)	SLPF Adjustable Slip Fitter	BRZ	(Blank) 5YR
	9L 9,000 lm	HV 347-480v	40 4000K	WD Wide Forward (6x6)	UAB Universal Adjustable	BLK	10YR 10YR
	12L 12,000 lm		50 5000K	VW Very Wide (7x6)	UAB/R Universal Adjustable Sqr/Rnd pole 3"-6"	WHT	
	15L 15,000 lm				WAM Wall Adjustable Mount	SLV	
	18L 18,000 lm				TRN Trunnion Mount		
SFM Med	24L 24,000 lm						
	30L 30,000 lm						
	36L 36,000 lm						
	42L 42,000 lm						
	50L 50,000 lm						

BASIC CONTROLS

ADVANCED CONTROLS

(Blank)	None	(Blank)	None
FAO ⁸	Field Adjustable Output	SYN ^{5,8}	Synapse Control System
CR3P ⁸	3-Pin NEMA Control receptacle	SYNS/LX ^{5,8}	Synapse Control System w/ Sensor (X = Mounting Height 3=10-20', 7=20-40')
CR7P ^{6,8}	7-Pin NEMA Control receptacle	SU/5S/LR/IL ^{1,8}	Enlighted 5S Individual Lighting (IL) Sensor with Control Unit
FSP-311/LX ^{1,3,8}	Legrand FSP-311 120-277V Sensor (X = Mounting Height 3=10-20', 7=20-40')	SU/5S/LR/CL ^{1,8}	Enlighted 5S Connected Lighting (CL) Sensor with Control Unit
FSP-321/LX ^{3,8}	Legrand FSP-321 347-480V Sensor (X = Mounting Height 3=10-20', 7=20-40')	SU/5S/LR/IOT ^{1,8}	Enlighted 5S Internet of Things (IOT) Sensor with Control Unit
CR3P/FAO ⁸	Universal 3-Pin control receptacle (See acc. for photocells) with Field Adjustable Output - 7 level selection connected to 0-10V dimming wires	ZLD1Z ^{1,3,8}	Leviton ZLD1Z 120-277V Bluetooth Groupable Sensor (16 Devices) with 8-20' & 20-40' lens included
CR7P/FSP/Lx ⁸	Universal 7-Pin control receptacle with FSP Sensor (X= Mounting Height, 3=20', 7=40') (Controls provided by others)		

OPTIONS - FACTORY INSTALLED

ACCESSORIES

(Blank)	None	SAx/BIRD	Bird Spikes (x= fixture size)	TL7/HVG ^{3,7}	Synapse Twist Lock Mesh Network 480V
SP1 ¹	10kA Surge Protection Device	SFx/VS	Rotatable Visor	LL/5TL010	Lutron Limelight Twist Lock Mesh Network 120-277V ^{1,7}
SP2 ¹	20kA Surge Protection Device	SFx/FV	Full 360° Visor	TLPC/HV ⁴	347-480V Twist Lock Photocell
SP1HV	10kA Max 480V Surge Protector	TL7/B2 ^{1,5,7}	Synapse Twist Lock Mesh Network 120-277V	TLPC/UNV ^{4,4}	120-277V Twist Lock Photocell
SP480V2	20kA Max 480V Surge Protector	ILP PAINT CHIP PACK	ILP Standard Color Paint Chips		
FUSE/SXXX	FUSE 120V, 277V, 347V (x= voltage)				
FUSE/DXXX	FUSE 208V, 240V, 480V (x= voltage)				

¹ Not available with HV option

² Option Not DLC qualified

³ Requires Bluetooth Enabled device for programming (provided by others)

⁴ Only Compatible with CR3P and CR7P

⁵ Contact Factory for Site Layout, For HV models contact Factory for pricing.

⁶ Dimming Leads will be wired to receptacle unless otherwise specified

⁷ CR7P Required

⁸ Only one control option allowed

SKYLINE

FLOOD LIGHT SERIES

LED SYSTEMS INFO ^{1,3}		3000K		4000K		5000K		Watts ²	Replaces
Part Numbers	Distribution	Lumens	Efficacy	Lumens	Efficacy	Lumens	Efficacy		
SFS-6L	MD	6976	152	7163	156	7055	154	46 W	175W MH
	WD	6896	151	7082	155	6975	152		
	VW	6977	152	7165	156	7056	154		
SFS-9L	MD	9868	143	10183	148	10030	146	69 W	250W MH
	WD	9756	142	10068	146	9916	144		
	VW	9870	143	10186	148	10032	146		
SFS-12L	MD	13336	162	13695	167	13489	164	82 W	320W MH
	WD	13185	160	13539	165	13336	162		
	VW	13339	162	13697	167	13492	164		
SFS-15L	MD	16824	156	17277	160	17016	157	108 W	400W MH
	WD	16634	154	17081	158	16824	156		
	VW	16828	156	17280	160	17020	157		
SFS-18L	MD	19459	144	20013	148	19944	147	135 W	400W MH
	WD	19239	142	19801	146	19718	146		
	VW	19464	144	20017	148	19948	147		
SFM-24L	MD	24287	147	24972	151	24611	149	165 W	400W MH
	WD	25585	155	26307	159	25926	157		
	VW	25629	155	26352	160	25971	157		
SFM-30L	MD	29239	131	31953	143	31490	141	223 W	750W MH
	WD	30801	138	33660	151	33173	149		
	VW	30855	139	33718	151	33230	149		
SFM-36L	MD	35867	151	37575	158	37031	156	238 W	750W MH
	WD	37783	159	39583	166	39010	164		
	VW	37849	159	39651	167	39077	164		
SFM-42L	MD	39948	145	41730	151	41245	149	276 W	1000W MH
	WD	42083	152	43976	159	43449	157		
	VW	42156	153	44068	159	43524	158		
SFM-50L	MD	48908	140	51238	146	50496	144	350 W	1000W MH
	WD	51521	147	53975	154	53194	152		
	VW	51610	147	54069	154	53286	152		

¹ Values are nominal, see IES file for more detail ² Electrical data at 25C (77F). Actual wattage may differ by +/-10%. ³ Predictive Data, Subject to change per compliance testing completion







SKYLINE

FLOOD LIGHT SERIES

EPA RATINGS AND VIBRATION CHART

	SLPF		UAB (R)		WAM		TRN		WEIGHT
SFS	0.53	1.5g	0.53	3g	0.53	3g	0.47	1.5g	11 lbs
SFM	0.71	1.5g	0.71	3g	0.71	3g	0.64	1.5g	22 lbs
WEIGHT	4.5 lbs		5.5 lbs		6.0 lbs		2.5 lbs		

* EPA Ratings listed assume fixture is mounted horizontally. For adjustable mounting options, EPA will vary with selected angle.

TILT DEGREE		0°	30°	45°	TILT DEGREE		0°	30°	45°
 Single	SFS	0.53	1.49	1.95	 T90°	SFS	1.27	2.07	2.71
	SFM	0.71	2.79	3.75		SFM	1.70	3.88	5.21
 D180°	SFS	1.17	1.49	1.95	 TN120°	SFS	1.38	3.13	4.06
	SFM	1.56	2.79	3.75		SFM	1.85	5.86	7.80
 D90°	SFS	0.95	1.79	1.95	 Q90°	SFS	1.27	2.07	2.71
	SFM	1.28	3.35	3.75		SFM	1.70	3.88	5.21

*EPA for SPLF, UAB, and WAM mounts

ELECTRICAL DATA (AMPS)^{1,2}

Lumen Package	120V	208V	240V	277V	347V	480V
6L	0.38 A	0.22 A	0.19 A	0.17 A	0.13 A	0.10 A
9L	0.58 A	0.34 A	0.29 A	0.25 A	0.20 A	0.15 A
12L	0.73 A	0.42 A	0.37 A	0.32 A	0.25 A	0.18 A
15L	0.92 A	0.53 A	0.46 A	0.40 A	0.32 A	0.23 A
18L	1.14 A	0.66 A	0.57 A	0.49 A	0.39 A	0.29 A
24L	1.39 A	0.80 A	0.70 A	0.60 A	0.48 A	0.35 A
30L	1.83 A	1.06 A	0.92 A	0.79 A	0.63 A	0.46 A
36L	1.96 A	1.13 A	0.98 A	0.85 A	0.68 A	0.49 A
42L	2.27 A	1.31 A	1.13 A	0.98 A	0.78 A	0.57 A

¹Electrical data at 25C (77F). Actual wattage may differ by +/-10%.

²Predictive Data, Subject to change per compliance testing completion

SKYLINE

FLOOD LIGHT SERIES

SPECIFICATIONS

CONSTRUCTION

The Skyline series features a slim profile die-cast aluminum housing available in 2 different sizes for a fully scalable solution. The versatile 5 optional mounting methods allow for easy installation while the hinged door allows for quick drop-down driver access for maintenance. The standard Keyhole / slotted UAB mounting bracket allows for a “no-drilling” 1-man installation by mounting the UAB on existing pole drillings and the luminaire head onto the UAB, substantially reducing installation labor. The fully gasketed housing is IP66 rated for whole luminaire ingress protection against moisture and environmental contaminants. The Skyline’s low-profile design results in a low EPA, allowing pole optimization to thinner or smaller size pole shafts. Vibration rated per ANSI C136.31 on all mountings (see table Above). The Skyline Series is protected with a durable bronze polyester powder coat finish to withstand extreme weather changes without cracking or peeling.

OPTICS

The IP66 silicone gasket sealed optical chamber utilizes proprietary polycarbonate refractive optics to provide exceptional coverage and uniformity in Medium (4x4), Wide Forward Throw(6x6), Very Wide (7x6) Flood optic distributions. Polycarbonate optics are impact resistant and UV stabilized for maximum longevity. Available in 5000K, 4000K, and 3000K, color temperatures per ANSI C78.377. Minimum CRI of 70. Optional field installed 3-sided visor accessory is available for on-site High Angle Glare reduction while the Full visor cuts off all high angle light 360°.

ELECTRICAL

Class 1 High-performance drivers features over-voltage, under-voltage, short circuit and over temperature protection. 0-10V dimming (10% - 100%) standard. Standard Universal Voltage (120-277 Vac) Input 50/60 Hz or optional High Voltage (347-480 Vac). L80 >100,000 hrs. in accordance with IESNA TM-21-19 projected values at 25°C Ambient temperature. Total harmonic distortion: <20%. Power factor: >0.90. Input power stays constant over life. Minimum 6kV surge rating meets a minimum Category C Low operation (per ANSI/IEEE C62.41.2). Additional protection is available in 10kV and 20kV options.

THERMAL

The Skyline Series features an array of High-efficacy LED’s mounted on a metal core circuit board. The LED boards are mounted directly to the cast aluminum housing with heat dissipating fins to provide excellent thermal performance extending the life of electronic components. Operating Ambient Temperature: -40°C to +50°C (-40°F to 122°F).

INSTALLATION

The versatile Skyline series comes with 5 optional mounting methods. The standard keyhole / slotted universal mounting bracket (UMB) allows for a “no-drilling” 1-man installation by mounting the UMB on existing pole drillings and the luminaire head onto the UMB, substantially reducing installation labor and providing full adjustability for aiming towards the intended target. The 3G rated UMB quick mount allows for pole mounting to any round 3”-6” or square poles with a vertical mounting pattern between 2”-5”.

The 3G rated wall adjustable mount (WAM) allows for easy installation to any vertical wall surface or J-box with full range wall mount tilting. The 1.5G rated adjustable slip fitter (SLPF) mounts to any vertical or horizontal tenon 2” pipe (2-3/8” OD) allowing for full range tilting.

The trunnion/yoke bracket (TRN) enables the Skyline to be used for general flood applications with full range tilting as required.

All mounting methods are provided with a 3-wire 3’ outdoor rated cord is provided for wiring. 5-wire cord optional for external dimming, consult factory. See charts above for all vibration, weight, and EPA results.

CONTROLS

Standalone Controls:

Factory installed 3-Pin & 7-Pin ANSI C136.41 Control Receptacle Options available. Dusk to Dawn twist lock photocells sold separately (See accessories). Optional PIR sensors available installed in housing hinged door. Sensors provide optional on/off control, photocell capability, bi-level dimming, and bluetooth configuration allows for on-site modifications.

Wireless Control Systems:

The Skyline Series is wireless mesh controls ready with Synapse, Enlighted, and Lutron Limelight wireless control platforms. Available with and without PIR sensors. Inquire with factory for more information or for additional controls options, including customer supplied items.

WARRANTY

5 Year Warranty Standard; 10 Year Warranty Optional (Terms and Conditions apply).

CERTIFICATIONS

ETL Listed for wet locations. Tested in accordance with IESNA LM-79 and LM-80 standards. BAA compliant. RoHS Compliant. Title 24 Compliant; see local ordinance for qualification information. IP66 rated Luminaire per IEC 60598. IP66 rated optical chamber. ASTM B117 Salt Spray Tested 500 Hrs.

DLC Premium Listed Product, Not all versions of this product may be DLC Premium qualified. Please check the DLC Qualified Products List at www.designlights.org/QPL to confirm which versions are qualified.

SKYLINE

FLOOD LIGHT SERIES

BASIC

FAO

Internal bi-level switch offers adjustable light levels for greater flexibility within one product. Utilizes 0-10V dimming wires and cannot be combined with other sensor or control options.

CRxP

3-Pin or 7-pin ANSI C136.41-2013 control receptacle option available for NEMA twist lock photocontrols or wireless control modules. Control accessories sold separately. Dimming leads from the receptacle will be connected to the driver dimming leads (Consult factory for alternate wiring). x = Number of pins (3 or 7).

FSP-311/Ly - FSP-321/Ly

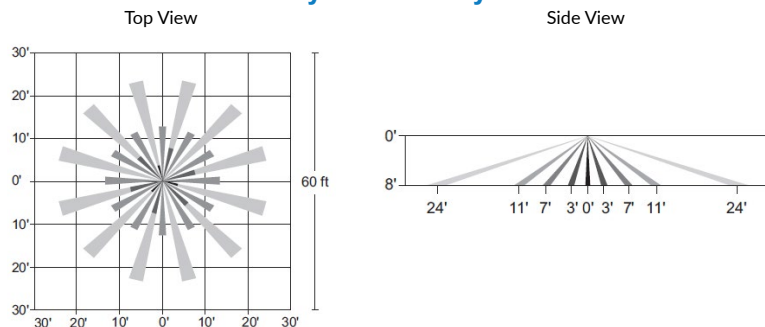
Optional Bluetooth Programmable PIR sensor allows for Continuous Dimming, Motion and/ or daylight harvesting, Fully adjustable high/low dimmed light levels, and Adjustable time delay/ cutoff delay. The sensor is programmed via a free iOS® or Android® Sensor Configuration App (compatible device provided by others). Available in 10'-20' or 20'-40' mounting lenses. See coverage patterns below, L7=20'-40', L3=20'-40'.

Default Settings:

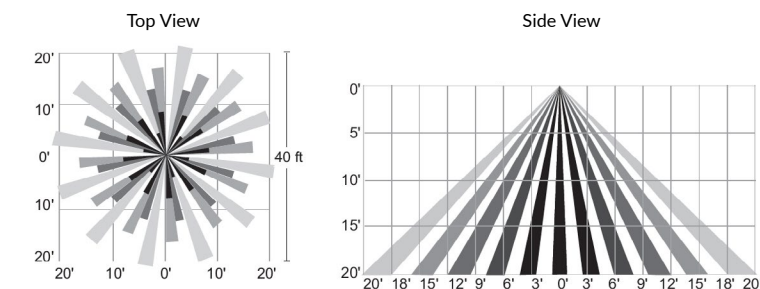
- High Mode: 100% Output
- Low Mode: 10% Output
- Time Delay: 5 mins
- Cutoff: 1 hr
- Sensitivity: High
- Photocell: Disabled
- Continuous Dimming: Disabled

COVERAGE PATTERNS

SYNS/L2 and FSP-311/Ly - FSP-321/Ly



SYNS/L3 and FSP-311/Ly - FSP-321/Ly



ADVANCED

Synapse (SYN or TL7)

Utilizing a robust 2.4 GHz Self-Healing Mesh Network, Synapse provides flexibility and scalability making it a perfect outdoor solution for both new construction and retrofit projects. The easy-to-use web application is accessible on any device with an internet connection and allows for complete customization of the system and its features. Integral radio (SYN) includes (2) 24V inputs for a Wattstopper sensor or twist lock photocell into the wireless lighting system. External radio (TL7) includes (1) low voltage input for a Wattstopper sensor, available in both universal(120-277V) or high voltage (480V). Sensors available in 20' or 40' mounting lenses. See coverage patterns below. Sensor mounted on hinged driver cover. Antenna exits side of luminaire for maximum connectivity.

Enlighted

Enlighted's three-tier, over-the-air upgradeable wireless control platforms provide out-of-the-box compliance with energy use regulations. The comprehensive capabilities of the sensor include vacancy detection, daylight harvesting, demand response, and energy savings reporting. Enlighted's enterprise system allows for easy integration of indoor and outdoor lighting with building management systems for site-wide IOT management. Enlighted ruggedized sensor mounted on hinged driver cover.

Enlighted Connected (SU/5S/LR/CL)

-Fixtures are controlled based on occupancy & ambient light. Includes individual lighting control plus connection to Enlighted Energy Manager. The Energy Manager provides data analysis for all data collected by the Enlighted Smart Sensors for energy, occupancy & environment.

Enlighted IOT (SU/5S/LR/IOT)

-Fixtures are controlled based on occupancy and ambient light. Includes individual lighting control plus connection to Enlighted Energy Manager. The Energy Manager provides data analysis for all data collected by Enlighted Smart Sensors for energy, occupancy & environment. Additionally, the IOT functionality takes the data access and function beyond just lighting to a wide range of applications beyond the standard connected lighting controls.

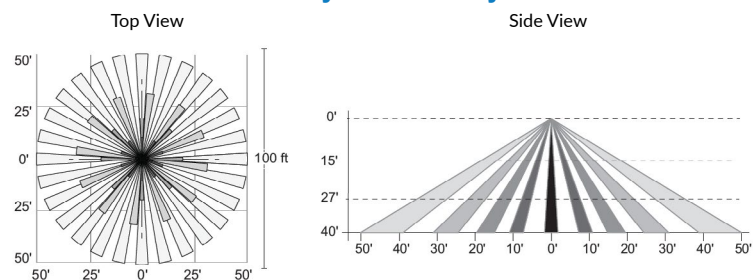
Leviton ZLD1Z

Optional Bluetooth Groupable PIR sensor that allows for Programmable Options such as, Continuous Dimming, Motion and/ or daylight harvesting, fully adjustable high/ low dimmed light levels, and Adjustable time delay/ cutoff delay. The sensor is programmed via a free iOS® or Android® Sensor Configuration App (compatible device provided by others). Sensor Mesh Grouping allows for 16 devices per group, with both Occupancy and Daylight Control. Recommended spacing < 100'. Comes standard with both 8'-20' or 20'-40' mounting lenses. See coverage patterns on page 6..

Default Settings:

- High Mode: 100% Output
- Auto-ON/Auto-OFF with 20-minute timeout
- Sensitivity: High
- Daylight Harvesting: Enabled

SYNS/L7 and FSP-311/Ly - FSP-321/Ly

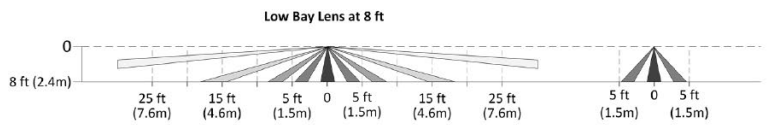
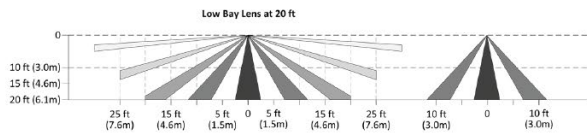
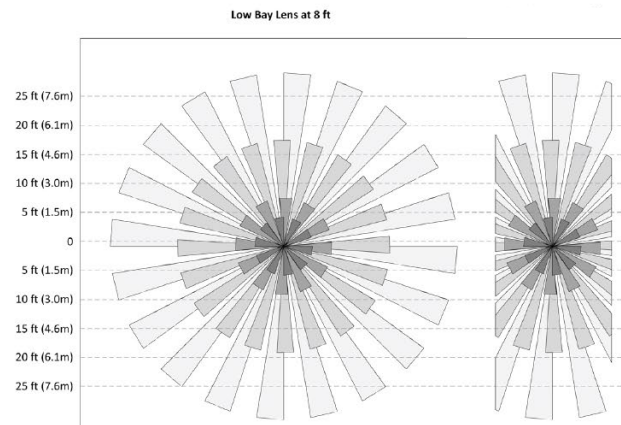
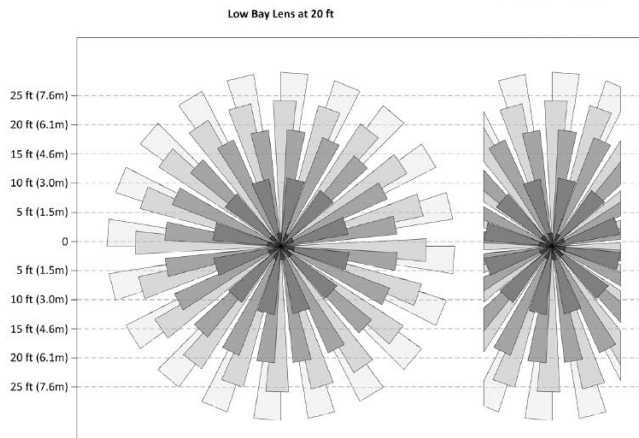


SKYLINE

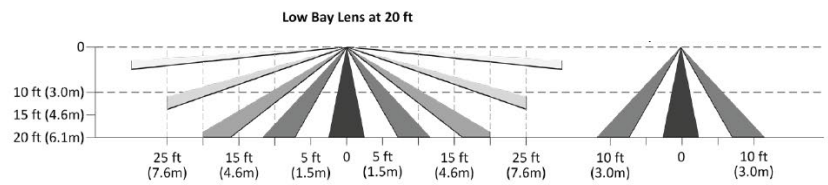
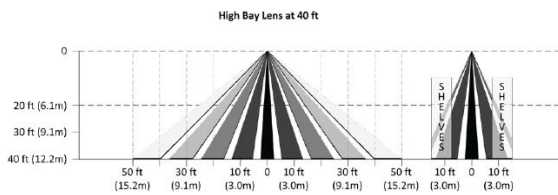
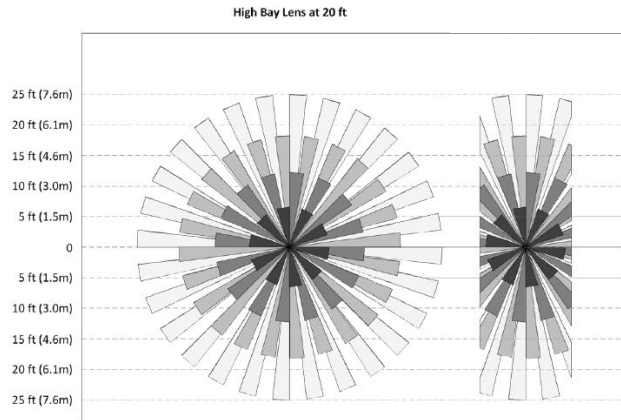
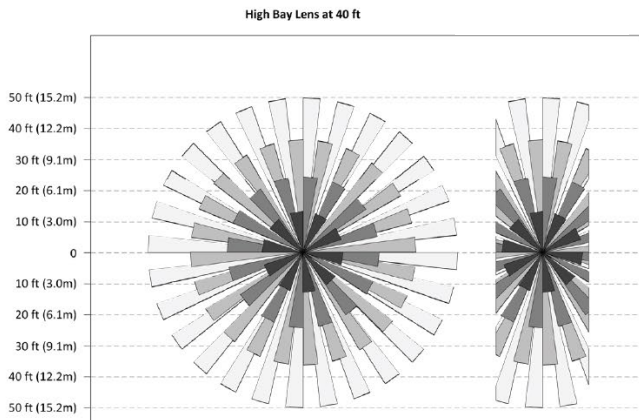
FLOOD LIGHT SERIES

COVERAGE PATTERNS

Leviton Low Mount



Leviton High Mount



BACK LIGHT CONTROL OPTIONS



HSS

Integral House Side Shield

Delivers backlight control that significantly reduces light spill behind the pole for applications with pole locations close to adjacent properties. Shown with Medium housing. HSS rotates with optic distribution.



GS

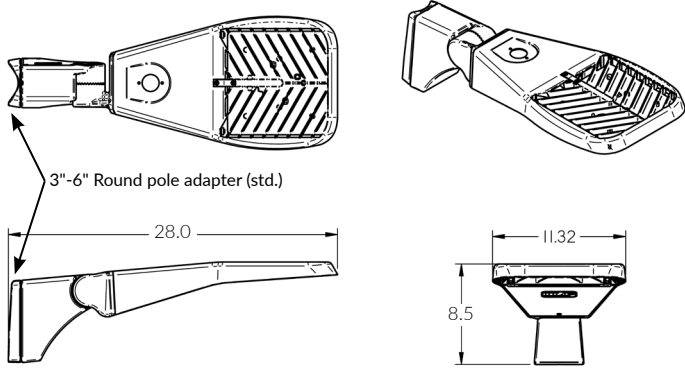
External Glare Shield

Rotatable 3-sided field installable external glare shield. Shown with Medium housing

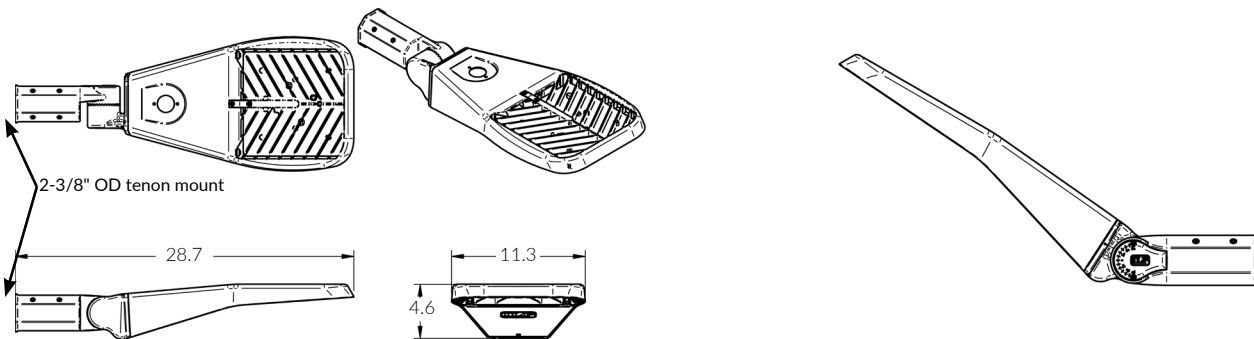
SKYLINE

FLOOD LIGHT SERIES

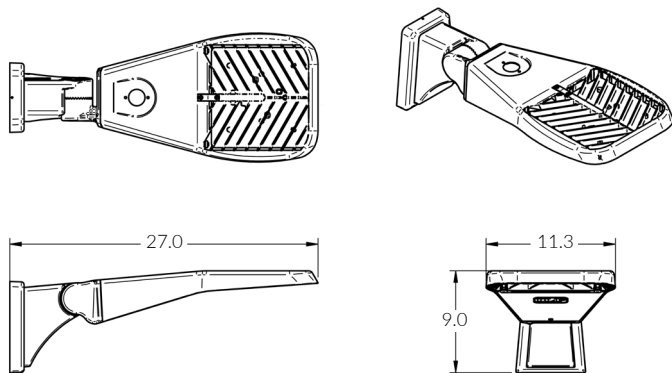
SFS Universal Adjustable Mount Bracket (UAB)



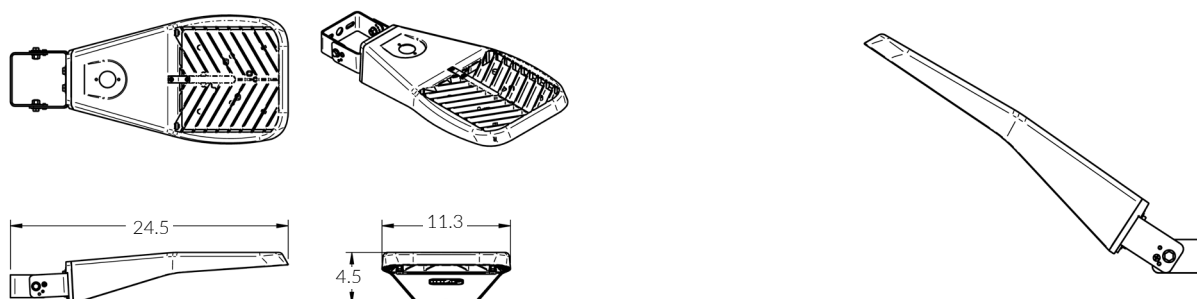
SFS Adjustable Slip Fitter (SLPF)



SFS Wall Adjustable Mount Bracket (WAM)



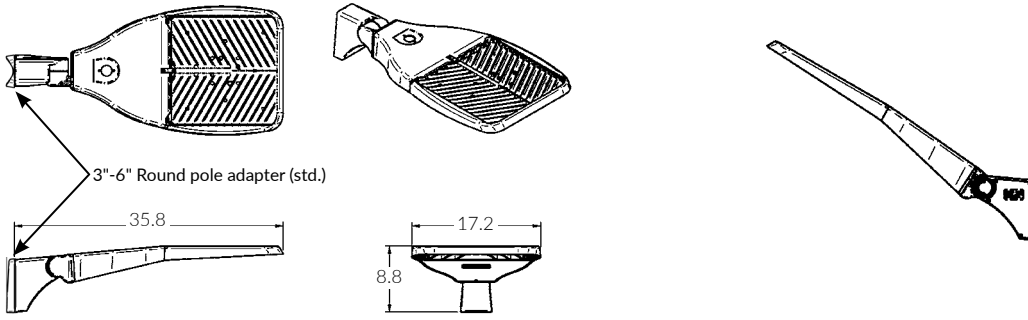
SFS Trunnion Mount (TRN)



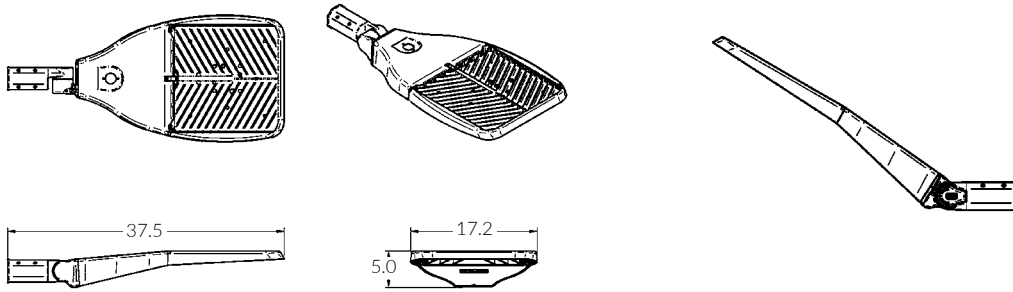
SKYLINE

FLOOD LIGHT SERIES

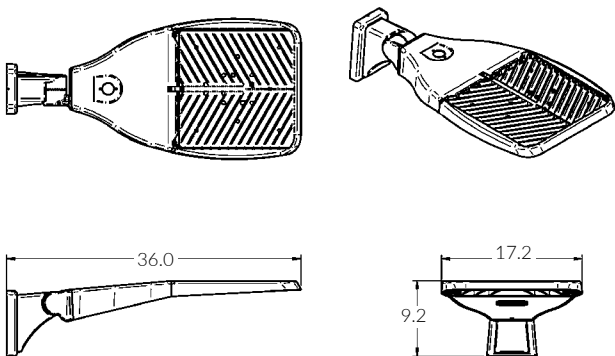
SFM Universal Adjustable Mount Bracket (UAB)



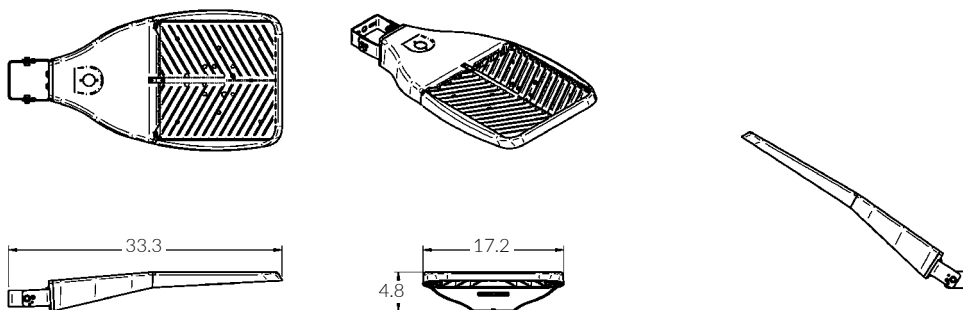
SFM Adjustable Slip Fitter (SLPF)



SFM Wall Adjustable Mount Bracket WAM



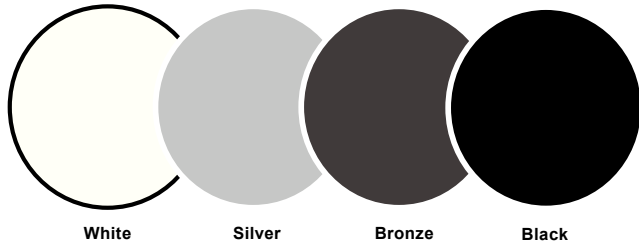
SFM Trunnion Mount (TRN)



SKYLINE

FLOOD LIGHT SERIES

FACTORY SELECT FINISH GUIDE



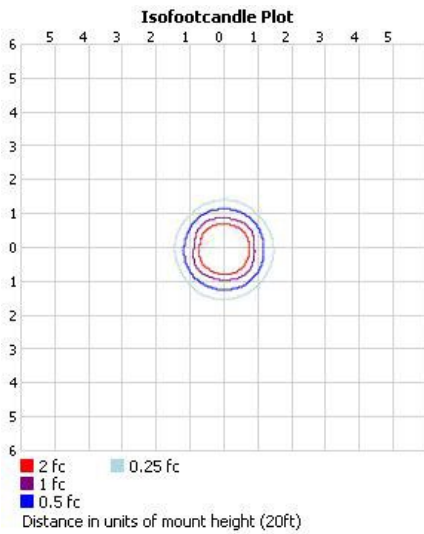
COLOR NAME AND DESCRIPTION	PRICING
WHT - ILP White	Standard
SLV - ILP Silver	Standard
BRZ - ILP Bronze	Standard
BLK - ILP Black	Standard

**COLORS SHOWN ABOVE ARE TO BE USED AS REFERENCE, NOT EXACT MATCH.
PLEASE REQUEST PAINT CHIPS FOR EXACT MATCH.**

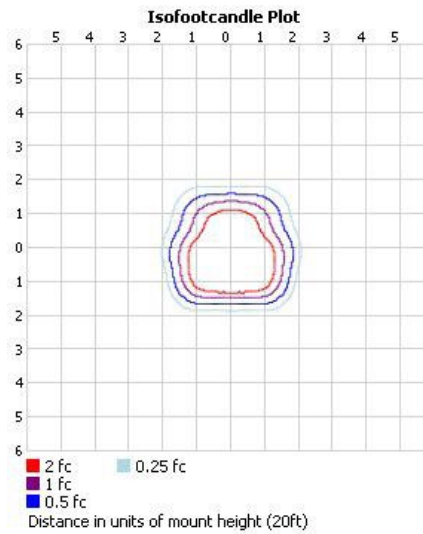
PHOTOMETRIC REPORTS

Photometric values based upon tests performed in compliance with LM-79. IES files can be downloaded at www.ilp-inc.com

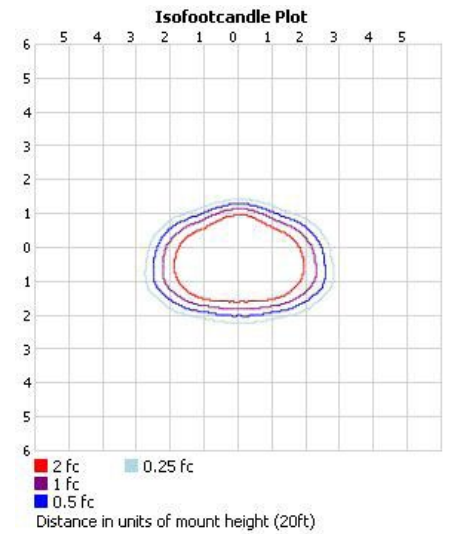
Medium Distribution (MD) NEMA 4x4



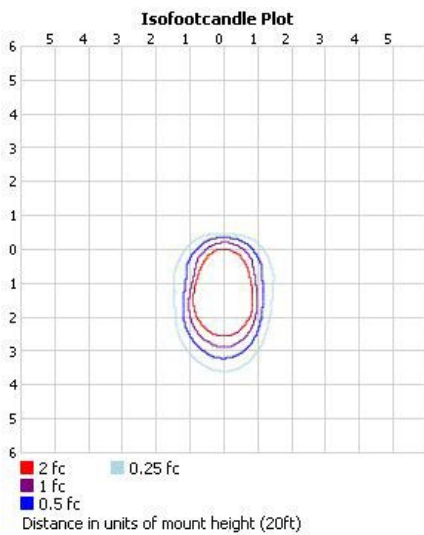
Wide Distribution (WD) NEMA 6x6



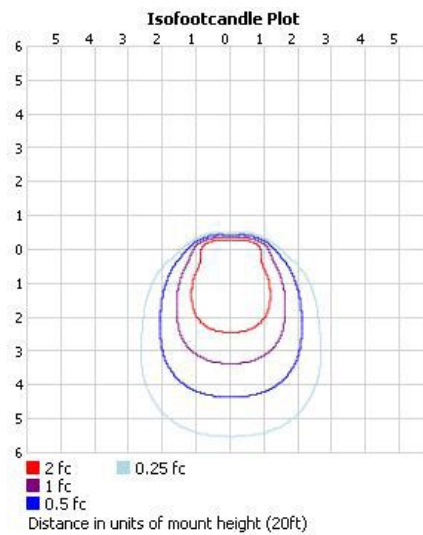
Very Wide Forward Distribution (VW) NEMA 7x6



Medium Distribution (MD) with 45° tilt



Wide Distribution (WD) with 45° tilt



Very Wide Forward Distribution (VW) with 45° tilt

