

## LED OUTDOOR

ADJUSTABLE WALLPACK - 3 CCT & 3 WATTAGE SELECTABLE

0°/12°/24°/36° - ADJUSTABLE THROW

80W, 160W - PHOTOCELL



ADJUSTABLE THROW  
0°/12°/24°/36°



BRONZE FINISH

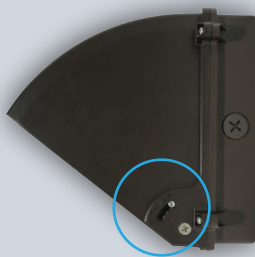


FULL CUTOFF

SEMI CUTOFF



FRONT VIEW



0°/12°/24°/36°  
ADJUSTABLE THROW

LR40543

60W | 70W | 80W

LR40545

120W | 140W | 160W



COLOR SELECTABLE

3000K | 4000K | 5000K

WATTAGE SELECTABLE

3 OPTIONS



DIMMABLE

0-10V

120-277V

WET LOCATION RATED  
IP-65

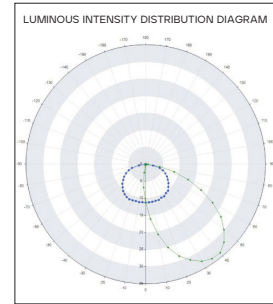
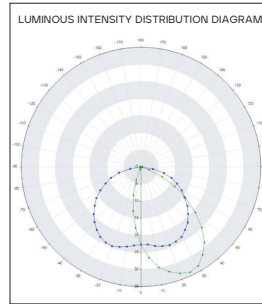
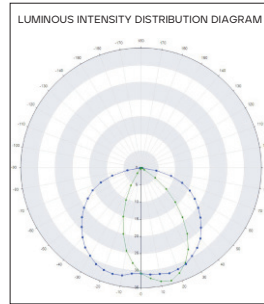
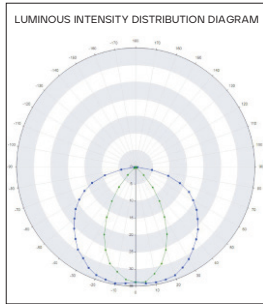
5 YEAR WARRANTY

## ELECTRICAL

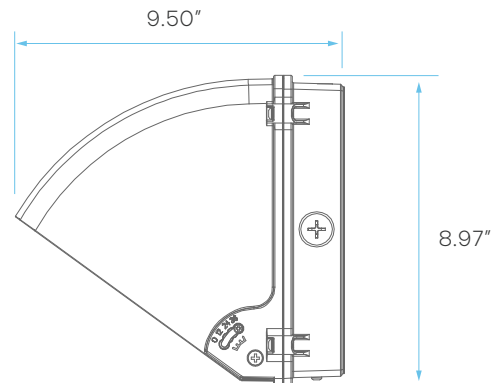
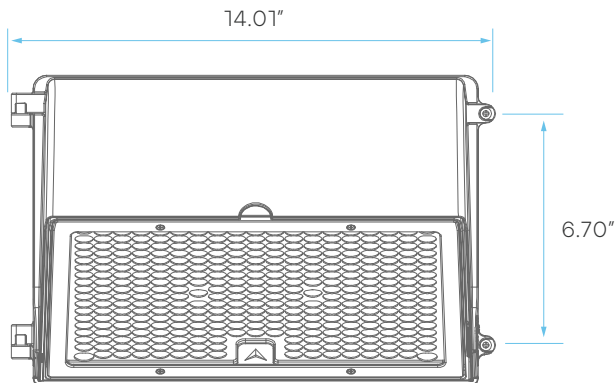
MODEL	DESCRIPTION	POWER	INPUT VOLTS	EFFICACY	LIFETIME	COST/YR	
80W	LR40543	LEDAWP80/3WO/3CCT/B/D/PC	60	120-277V	150	50,000	\$ 9.63
			70				
			80				
160W	LR40545	LEDAWP160/3WO/3CCT/B/D/PC	120	120-277V	150	50,000	\$ 19.27
			140				
			160				

## PHOTOMETRIC

MODEL	DESCRIPTION	COLOR (CCT)	TEMP	LUMEN	FLOOD	CRI	UL LISTED	DLC LISTED
LR40543	LEDAWP80/3WO/3CCT/B/D/PC	3000K	CCT SELECT	9000	0°/12°/24°/36°	80	YES	S-QGYX73
		4000K		10500				
		5000K		12000				
LR40545	LEDAWP160/3WO/3CCT/B/D/PC	3000K	CCT SELECT	18000	0°/12°/24°/36°	80	YES	S-HKMN80
		4000K		21000				
		5000K		24000				



## DIMENSIONS



## COMPATIBILITY

COMPATIBLE WITH:

**LR35133**  
Emergency LED Driver



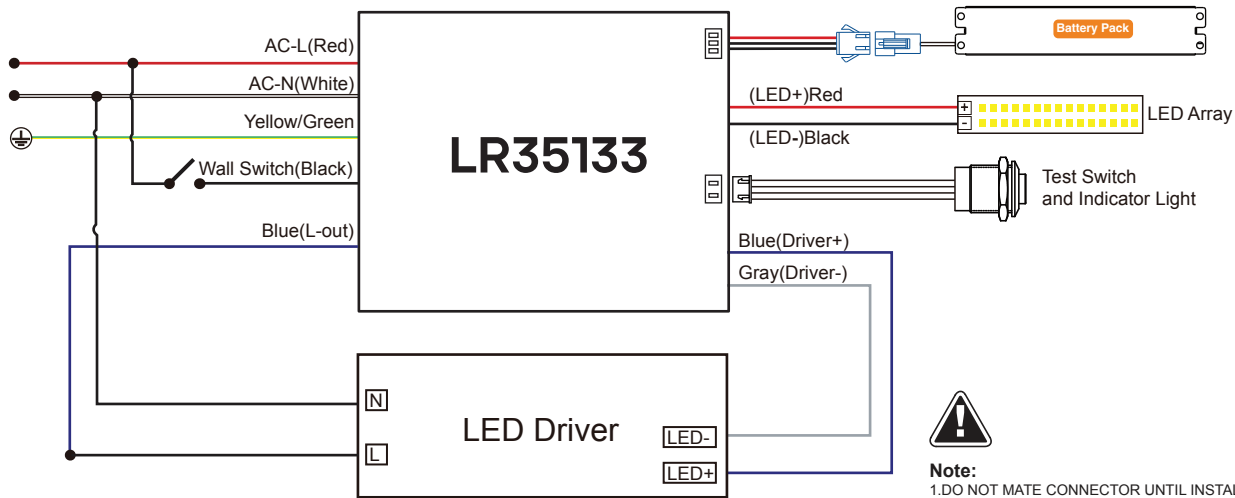
## LR35133 - SPECIFICATIONS

MODEL	DESCRIPTION	EM POWER	INPUT VOLTS	FREQUENCY	INPUT CURRENT	INPUT POWER	OUTPUT VOLTAGE	RECHARGE TIME	EMERGENCY TIME
LR35133	LED/EMR/8W/DC/HV	8	100-347V	50/60Hz	<100mA	7W	60-300VDC	24Hr	90min

AMBIENT TEMPERATURE: 41°F ~ 140°F

## WIRING DIAGRAM

**! WARNING: DISCONNECT POWER BEFORE INSTALLING OR SERVICING**



**Note:**  
1. DO NOT MATE CONNECTOR UNTIL INSTALLATION IS COMPLETE AND AC POWER IS SUPPLIED.  
2. TEST ACCESSORY LEADS-OBSERVE PROPER POLARITY WIRING.  
3. DURING EMERGENCY MODE, PRESS TEST SWITCH TWICE TO CUT OFF THE EMERGENCY OUTPUT FOR STORAGE AND SHIPMENT.