

15" ROUND SLIM BRACKET LR23647B

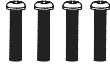
PACKAGE CONTENT

A
Bracket



(1 pcs)

B
Mounting
Screws



(4 pcs)

C
Wire Nuts



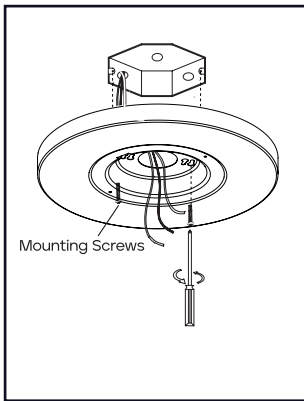
(3 pcs)



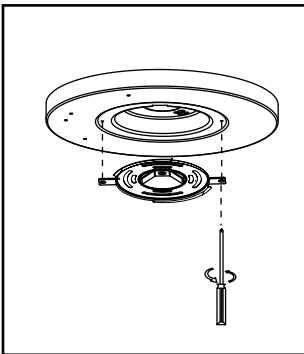
TOOLS AND MATERIALS REQUIRED



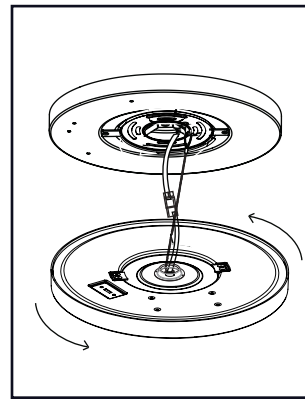
FLUSH MOUNT



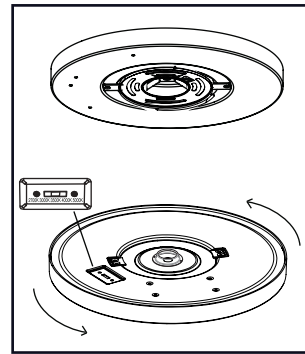
1. Screw the empty emergency backup unit into the junction box using the 2 x 8/32" screws provided.



2. Screw the bracket that locks the mounting plate into the emergency backup using the 2 pcs screws provided.



3. Before working wire connections, attach to hook side of safety cable on Mounting Bracket. Connect supply wires to wires on fixture with wire nuts or push wires into Quick Connector. Connect white to white, black to black and copper wire to copper wire as grounding connection.



4. Feed all wires up into the battery backup box and raise the lighting fixture up to the battery backup box. Rotate clockwise until fixture is secured (45-degree turn until it locks)