

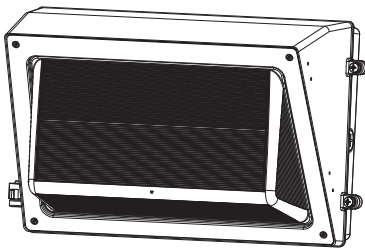
SEMI-CUTOFF LED WALLPACK - CCT & WATTAGE SELECTABLE LR40562, LR40572

CAUTION:

1. Do not use an electric generator to test the LED fixture.
2. Please abide by related country, regional and local law and regulations when installing this fixture;
3. Do not install the fixture in raining days to avoid electrical shock or damage.

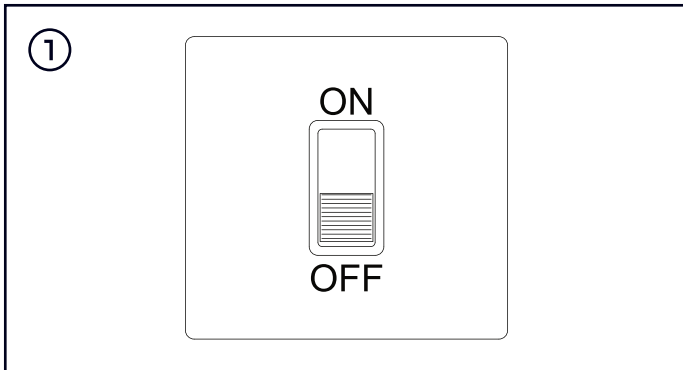
NOTES:

1. To avoid possibility of electrical shock or fire, the installation personnel must have professional electric knowledge;
2. Please wear gloves to avoid injury before installation;
3. If at some point during or after installation you should notice smoke or fire coming from the fixture, turn the power off immediately and notify an electrician.
4. This fixture is available for outdoor use. The recommended minimum distance from the fixture to ground is 2 meters.

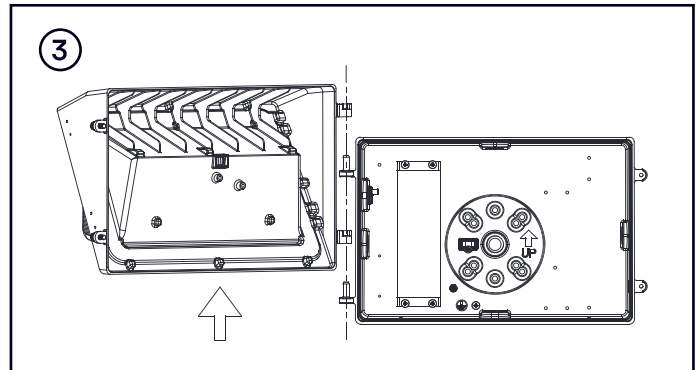


INSTALLATION

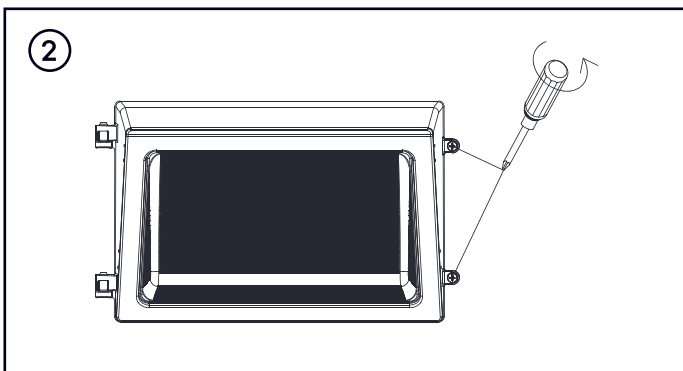
1. TURN POWER OFF.



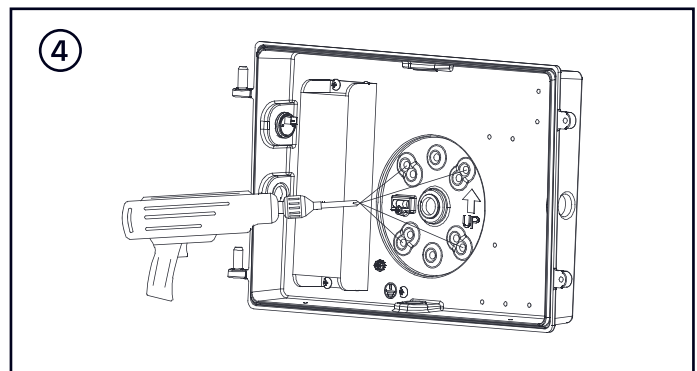
3. OPEN THE FIXTURE, DISCONNECT THE CONNECTION TERMINALS, AND REMOVE THE UPPER COVER FROM THE FIXTURE



2. USE A SCREWDRIVER TO REMOVE THE SCREWS ON BOTH SIDES.

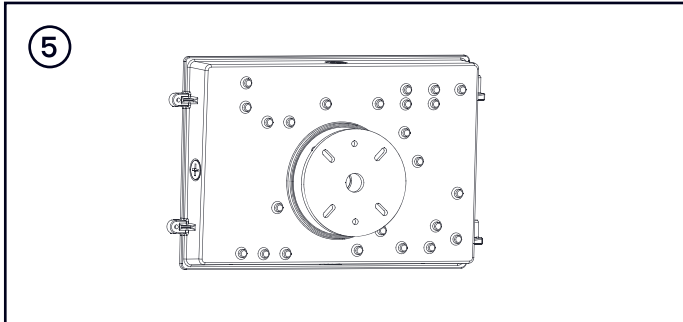


4. DRILL THROUGH THE MOUNTING HOLE WITH AN ELECTRIC DRILL.

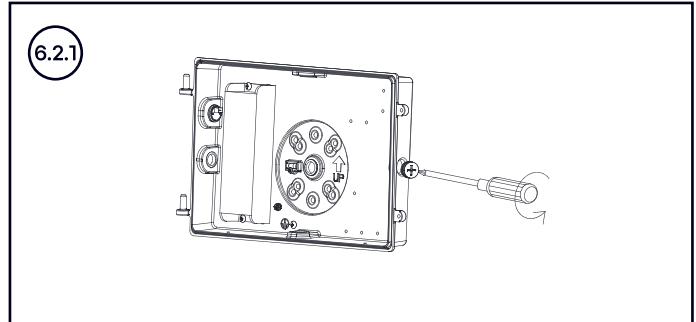


SEMI-CUTOFF LED WALLPACK - CCT & WATTAGE SELECTABLE LR40562, LR40572

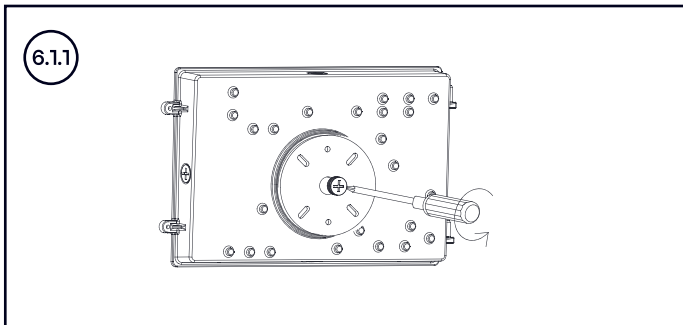
5. ATTACH EVA COTTON PAD TO BOTTOM SHELL.



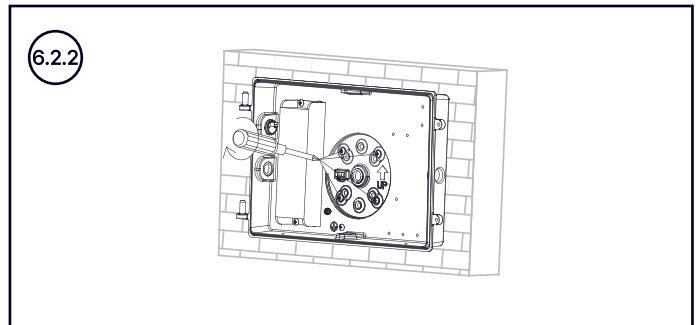
6.2.1 USE A SCREWDRIVER TO REMOVE THE PLUG



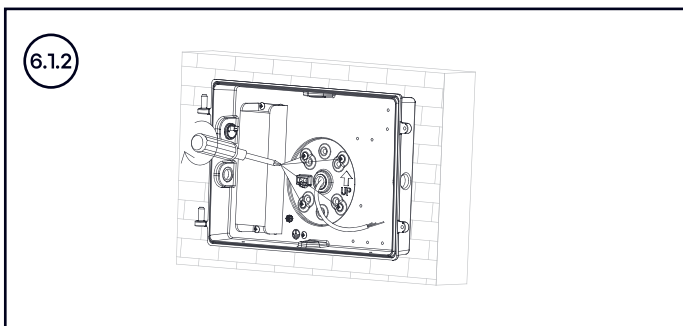
6.1.1 USE A SCREWDRIVER TO REMOVE THE PLUG



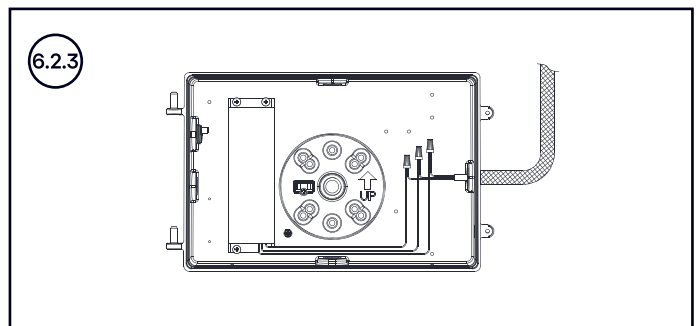
6.2.2 LOCK THE BOTTOM SHELL ON THE MOUNTING SEAT WITH SCREWS.



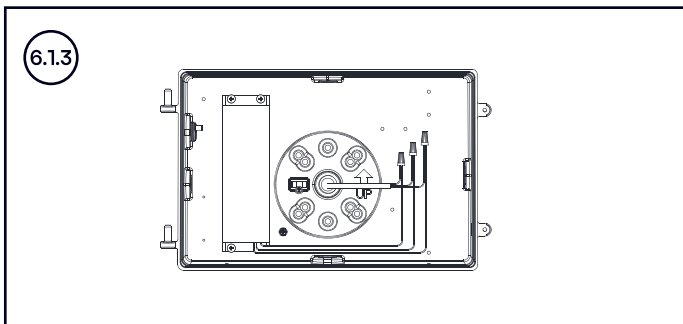
6.1.2 LOCK THE BOTTOM SHELL ON THE MOUNTING SEAT WITH SCREWS.



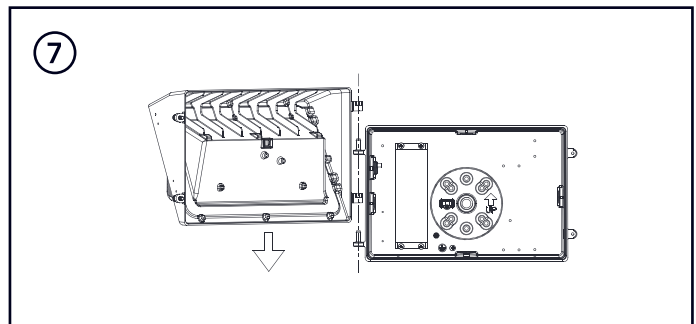
6.2.3 L,N AND G WIRES CONNECTED TO THE POWER SUPPLY.



6.1.3 L,N AND G WIRES CONNECTED TO THE POWER SUPPLY.



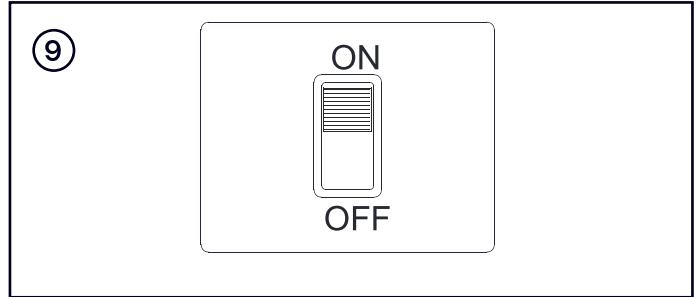
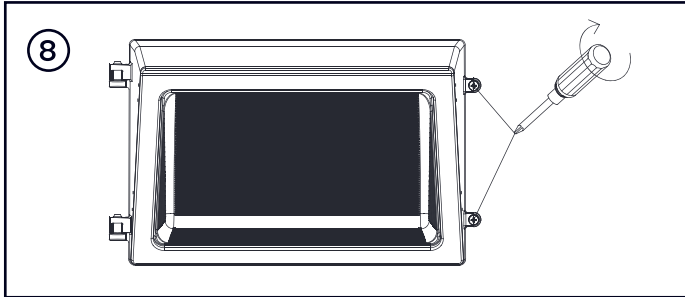
7. INSTALL THE COVER OF THE FIXTURE AND CONNECT THE TERMINALS.



SEMI-CUTOFF LED WALLPACK - CCT & WATTAGE SELECTABLE LR40562, LR40572

8. INSTALL THE COVER OF THE FIXTURE AND CONNECT THE TERMINALS.

9. MAKE SURE THE INSTALLATION IS COMPLETE BEFORE TURNING POWER BACK ON.



STANDARD WIRE:

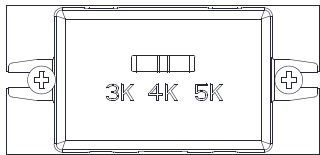
L/live wire: Black Brown;

N/null wire: White\Blue;

Ground wire: Green Yellow-green.

Warning: During grounding, make sure the earth wire of the driver and fixture housing are connected together with the earth wire of the local power supply.

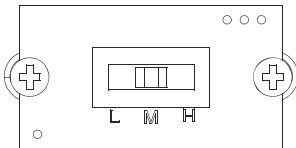
SPECIAL FUNCTION INSTRUCTION:



COLOR TEMPERATURE ADJUSTABLE INSTRUCTION

1. The color temperature of the lamp turns to 3000K when the DIP switch is set to 3K;
2. The color temperature of the lamp turns to 4000K when the DIP switch is set to 4K;
3. The color temperature of the lamp turns to 5000K when the DIP switch is set to 5K;

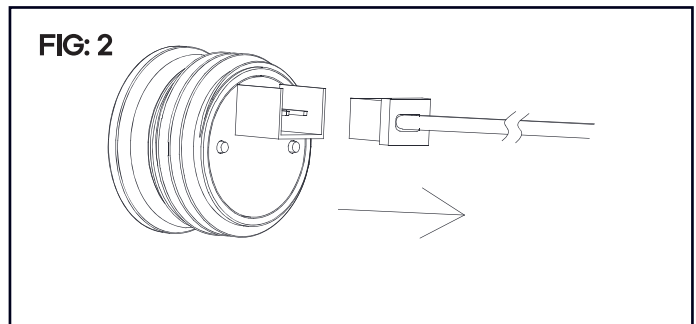
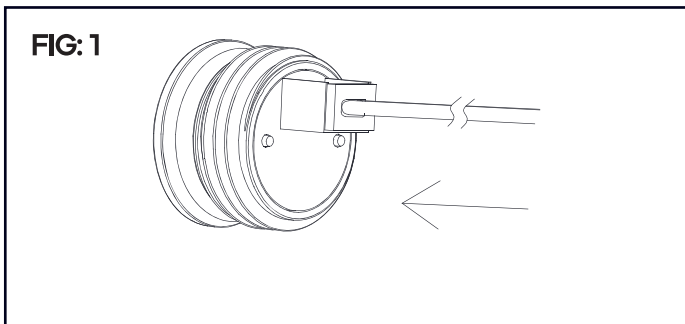
NOTE: PLEASE TURN OFF THE POWER BEFORE ADJUSTING THE COLOR TEMPERATURE.



WATTAGE ADJUSTABLE INSTRUCTION

The power of the lamp will change to the corresponding wattage when the DIP switch is set to L/M/H. Adjustable wattage range: 25%-100%.

NOTE: PLEASE TURN OFF THE POWER BEFORE ADJUSTING THE WATTAGE



PHOTOCELL:

Connection of male and female connector will help to turn on the photocell.(Fig:1)

Disconnection of male and female connector will help to turn off the photocell.(Fig:2)