



# KTLD-120-UV-12V-L10

## CONSTANT VOLTAGE LED DRIVER

### DESCRIPTION

LED Driver | 120W Dual Channel | 12V Constant Voltage Output | 120-277V Input



<b>TOTAL POWER:</b> 120W	<b>SAFETY COMPLIANCE:</b> UL 8750 and UL879
<b>INPUT VOLTAGE:</b> 120~277Vac $\pm$ 10%	<b>LOCATION TYPE:</b> IP20 design for dry and damp location
<b>INPUT FREQUENCY:</b> 50/60 Hz	<b>OUTPUT VOLTAGE:</b> 12V
<b>NUMBER OF OUTPUTS:</b> Two	<b>WARRANTY:</b> 5 Years

### ELECTRICAL SPECIFICATIONS

<b>Input Voltage Range</b>	120~277Vac $\pm$ 10%
<b>Frequency</b>	50/60 Hz
<b>Power Factor</b>	> 0.9 under 120~277Vac input with 80~100% Load Condition (for all output voltage)
<b>Inrush Current</b>	40A @230V
<b>Max. Input Current</b>	1.29A @120V, 0.66A @240V, 0.57A @277V
<b>THD</b>	< 20% under 120~277Vac input with 80~100% Load Condition (for all output voltage)
<b>Load Regulation</b>	$\pm$ 2%
<b>Line Regulation</b>	$\pm$ 1%
<b>Voltage Tolerance</b>	$\pm$ 5% at full load condition
<b>Turn-On Delay Time</b>	< 2s at full load condition
<b>Overshoot</b>	< 10% at full load condition
<b>No Load Power Consumption</b>	< 3W
<b>Ripple and Noise (pk-pk)</b>	< 3%
<b>Withstand Voltage</b>	Input to output, 2,800Vdc, 2mA
<b>Leakage Current</b>	Maximum 0.5mA at 277Vac, 60Hz input
<b>Protection</b>	<ul style="list-style-type: none"> <li>• <b>Over Voltage Protection:</b> Hiccup mode. Protection will trigger when load voltage exceeds specified output voltage and will auto recover after the fault mode is removed.</li> <li>• <b>Over Current Protection:</b> Hiccup mode. Protection will trigger when load current exceeds specified output current and will auto recover after the fault mode is removed.</li> <li>• <b>Short Circuit Protection:</b> Hiccup mode. Protection will trigger when short circuited and will auto recover after the fault mod is removed.</li> </ul>

### PRODUCT SPECIFICATIONS

Catalog Number	Max. Output Power	Output Current	Output Voltage	OCV	Typical Efficiency at 120V	Typical Efficiency at 240V	Typical Efficiency at 277V	Remote Mounting Distance (#18 AWG)	Class 2	
									US	Canada
KTLD-120-UV-12V-L10	60W x2	0.5A	12V	13V	86%	88%	88%	4 ft	✓	✓

### ENVIRONMENTAL SPECIFICATIONS

<b>Operating Temperature</b>	-40°C/-40°F to 60°C/140°F
<b>Storage Temperature</b>	-40°C/-40°F to 85°C/185°F
<b>Humidity</b>	5% to 95%
<b>MTBF</b>	221,000 hours at 40°C/104°F ambient (~70°C/~158°C case temp)
<b>Life Rating</b>	87,500 hours at 120Vac input, 100% load and 60°C/140°F case temperature
<b>Maximum Case Temperature</b>	90°C/194°F

### SAFETY AND EMC COMPLIANCE

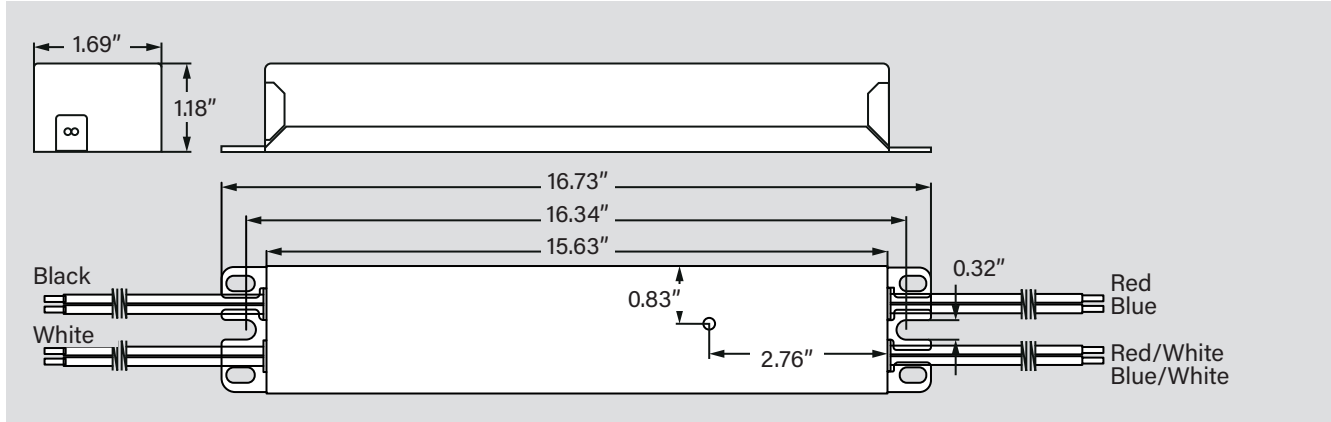
<b>UL/cUL</b>	UL 8750, UL879
<b>CE</b>	EN61347-1, EN61347-2-13
<b>FCC, 47CFR Part 15</b>	ANSI C63.4:2009 Class B (consumer limit)
<b>EN61000-3-2</b>	Harmonic Current Emissions Class C



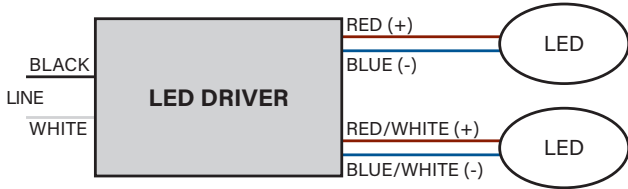
# KTLD-120-UV-12V-L10

## CONSTANT VOLTAGE LED DRIVER

### PHYSICAL SPECIFICATIONS



### WIRING DIAGRAM



### WIRING SPECIFICATIONS

<b>INPUT</b>	12", UL 1569 #18AWG (black and white)
<b>OUTPUT</b>	12", UL 1316 #18AWG (Red and Blue, Red/White and Blue/White)

### ORDERING INFORMATION

ORDER CODE	PACKAGING STYLE	PACK QTY.	ITEM STATUS
KTLD-120-UV-12V-L10-CP	Carton Pack	TBD	Active
KTLD-120-UV-12V-L10-DP	Distributor Pack	10	Active

### CATALOG NUMBER BREAKDOWN

# KTLD-120-UV-12V-L10-CP

- 1
- 2
- 3
- 4
- 6
- 7

- 1** Keystone Technologies LED Driver
- 2** Max Output Wattage
- 3** 120-277V Input
- 4** Output Current
- 5** Case Style
- 6** Packaging Style

**6 Packaging Style**

CP	Carton Pack
DP	Distributor Pack