

LED SURFACE MOUNT SINGLE RING - ADJUSTABLE MOTION SENSOR 11", 13", 15" - CCT SELECTABLE



15"



13"



11"



MOTION SENSOR DEFAULT SETTINGS

**BI-LEVEL
MOTION SENSOR SETTINGS***

<p>DETECTION ANGLE</p> <p>360°</p> <p>CEILING MOUNTED</p>	<p>DETECTION ANGLE</p> <p>150°</p> <p>WALL MOUNTED</p>	<p>DETECTION RANGE</p> <p>9'-20'</p>
<p>1 MIN</p> <p>HOLD TIME</p>	<p>INFINITY</p> <p>STANDBY MODE</p>	<p>30%</p> <p>STANDBY BRIGHTNESS</p>

*OPTION TO CHANGE SETTINGS VIA REMOTE AVAILABLE.

COMPATIBLE WITH



MICROWAVE BI-LEVEL REMOTE
LR25189

CRI
80

COLOR SELECTABLE

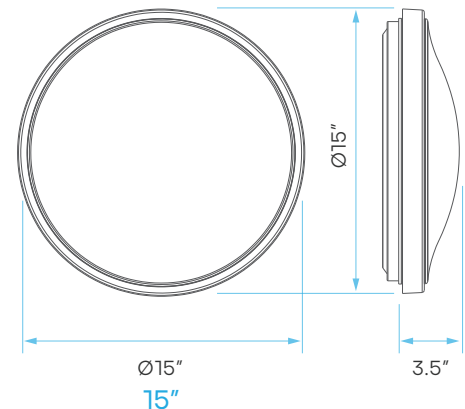
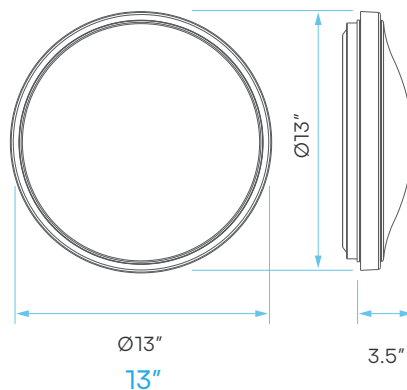
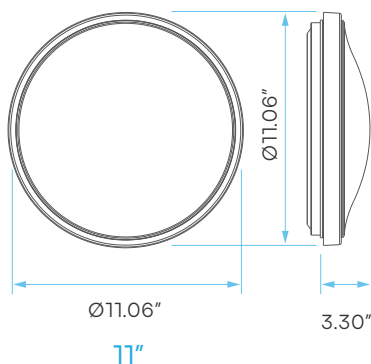
2700K 3000K 3500K 4000K 5000K

BRUSHED
NICKEL
FINISH

MOTION
SENSOR

DAMP
LOCATION
RATED

5
YEAR
WARRANTY



ELECTRICAL

	MODEL	DESCRIPTION	POWER	INPUT VOLTS	EFFICACY	LIFETIME	COST/YR
11"	LR23340	LED11"FLUSH/SR/BN/5CCT/MS	16	120V	75	50,000	\$ 1.92
13"	LR23342	LED13"FLUSH/SR/BN/5CCT/MS	20	120V	75	50,000	\$ 2.40
15"	LR23344	LED15"FLUSH/SR/BN/5CCT/MS	24	120V	75	50,000	\$ 2.89

PHOTOMETRIC

MODEL	DESCRIPTION	COLOR (CCT)	TEMP	LUMEN	FLOOD	CRI	ETL
LR23340	LED11"FLUSH/SR/BN/5CCT/MS	2700K/3000K/3500K/4000K/5000K	CCT SELECT	1200	120°	80	YES
LR23342	LED13"FLUSH/SR/BN/5CCT/MS	2700K/3000K/3500K/4000K/5000K	CCT SELECT	1500	120°	80	YES
LR23344	LED15"FLUSH/SR/BN/5CCT/MS	2700K/3000K/3500K/4000K/5000K	CCT SELECT	1800	120°	80	YES

MOTION SENSOR DEFAULT SETTINGS

DETECTION ANGLE

360°
CEILING MOUNTED

150°
WALL MOUNTED

DETECTION RANGE

9'-20'

1 MIN
HOLD TIME

INFINITY
STANDBY MODE

30%
STANDBY BRIGHTNESS

COMPATIBLE MICROWAVE BI-LEVEL REMOTE

*SOLD SEPARATELY



MICROWAVE BI-LEVEL REMOTE

LR25189

LEDSNS/MW/BiLevel/REMOTE