



Xitanium LED drivers outdoor Dimmable (US)

Xitanium 0-10V 12-24V DIMMING CONTROLLER

Xitanium Constant Current Outdoor product family offers a selection of LED drivers with lower output voltages in a range of convenient form-factors and wattages. The Xitanium Outdoor drivers are SELV (Safety Extra Low Voltage) compliant, enabling easy LED light engine design. Xitanium Constant Voltage Outdoor LED drivers deliver a highly stable output voltage and are UL Class 2 rated. These drivers are the perfect choice for enabling easy modular connection of multiple LED PCBs in parallel. The Constant Voltage Outdoor category offers excellent reliability and ensures a simplified installation process. Robust design reduces maintenance and lowers the cost of ownership over the application lifetime. For optimal performance, LED luminaires require reliable drivers which match the long lifetime of the LEDs.

Product data

• Operating Characteristics

Efficiency Range	98 %
Output Power Range	100 W
Input Power max	100 W
Output Voltage Range	12-24 V
Output Current Range (mA)	5000
Dimming range	100-0 %
Input Current max (DC)	5000 (max) mA
Input Voltage Range (DC)	12-24 V
Type of Dimming	0-10V

• Wiring Characteristics

Input Wire Length	177.8 mm
Control Wire Length	177.8 mm
Output Wire Length	152.4 mm
Input wire AWG	18
Output wire AWG	18
Control wire AWG	22

• Temperature Characteristics

T-ambient	-40 (min), 60 (max) C
-----------	-----------------------

• Product Dimensions

Length A1	132.0 mm
Length A2	122.5 mm
Width B1	34.2 mm
Height C1	25.0 mm
Fixing Hole Diameter D1	3.8 mm

Fixing Hole Distance	24.6 mm
Width B2	
Height C2	3.0 mm

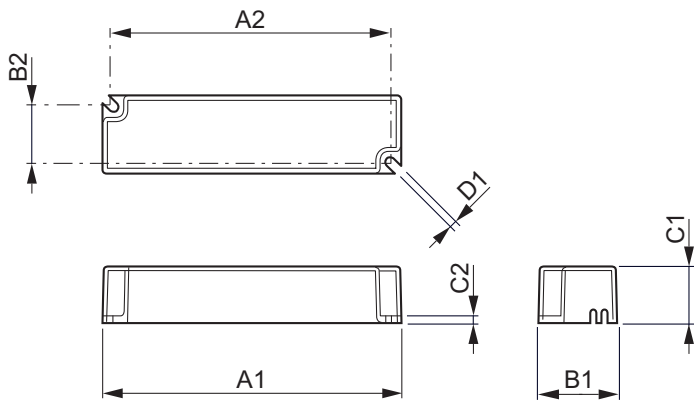
• Approval & Application Chars

ENEC certificate	No
CE marking	Yes
RoHS compliance	Yes
UL certificate	Yes
CSA certificate	Yes
Overload	Protected
No-load	Protected
EMI	FCC 47 subpart 15
Environmental standard	UL Damp & Dry

• Product Data

Order code	913710830902
Full product code	913710830902
Full product name	Xitanium 0-10V 12-24V DIMMING CONTROLLER
Order product name	Xitanium 0-10V 12-24V DIMMING CONTROLLER
Pieces per pack	1
Packing configuration	10
Packs per outerbox	10
Bar code on pack - EAN1	50781087062499
Bar code on outerbox - EAN3	50781087062499
Logistic code(s) - 12NC	913710830902
Net weight per piece	0.123 kg

Dimensional drawing



Titanium 0-10V 12-24V DIMMING CONTROLLER

Product	A1 (Norm)	A2 (Norm)	A4 (Norm)	B1 (Norm)	B2 (Norm)	C1 (Norm)	C2 (Norm)	D1 (Norm)
0-10V 12-24V DIMMING CONTROLLER	132.0	122.5	-	34.2	24.6	25.0	3.0	3.8



© 2012 Koninklijke Philips Electronics N.V.
All rights reserved.

Specifications are subject to change without notice. Trademarks are the property of Koninklijke Philips Electronics N.V. or their respective owners.

www.philips.com/lighting

2012, December 28
data subject to change