

LUXRITE®

LED CANLESS - SPOTLIGHT CINCINATTI COLLECTION

2"



LR23275



LR23277

CRI 90 **COLOR SELECTABLE** DIMMABLE TRIAC IC RATED AIR TIGHT DAMP LOCATION RATED 120V 5 YEAR WARRANTY ETL Intertek

2700K	3000K	3500K	4000K	5000K
-------	-------	-------	-------	-------

LR23275 LED/RDL2/5CCT/RD/WT



APERTURE	2"
DISTRIBUTION	FIXED
APPLICATION	NEW CONSTRUCTION/REMODEL

ELECTRICAL

POWER	8W
INPUT VOLTS	120V
INPUT CURRENT	67mA
FREQUENCY	50/60Hz
DIMMING TYPE	TRIAC
DIMMING RANGE	5-100%
FEED WIRE GAUGE	24AWG
BREAKER SPECIFICATION (15A @120V)	149pcs*

*Mathematically estimated value. Actual capacity may vary by breaker type and installation environment.

PHOTOMETRIC

COLOR CCT	2700K/3000K/3500K/4000K/5000K
CRI	90
LUMEN	600lm
EFFICACY	75lm/w
BEAM ANGLE	38°

CERTIFICATIONS & SAFETY

LR23275	ETL
IP RATING	IP44
DAMP LOCATION	YES
IC RATED	YES
AIR TIGHT	YES
OPERATING TEMP.	-4°F to 104°F
COST/YR	\$ 0.96
WARRANTY	5 YR

MATERIAL & APPLICATION

HEAT SINK	DIE-CAST ALUMINUM
TRIM	ALUMINUM
LENS	PC ACRYLIC
CUTOUT	Ø2.55"
MOUNTING TYPE	RECESSED
AREA OF APPLICATION	RESIDENTIAL, COMMERCIAL
CEILING TYPE	DRYWALL, WOOD

DRIVER

	POWER	INPUT VOLTS	INPUT CURRENT	FREQUENCY	INPUT POWER	OUTPUT VOLTAGE	DIMENSIONS	KNOCKOUTS
INCLUDED DRIVER	8W	120V	100mA	50/60Hz	8W max	36V DC	6"L X 1.75"W X 1.25"H	3

MODEL	DESCRIPTION	EM POWER	INPUT VOLTS	INPUT CURRENT	FREQUENCY	INPUT POWER	OUTPUT VOLTAGE	RECHARGE TIME	EMERGENCY TIME
LR35126**	LED/EMR/15W/AC/SF/E	15	100-347V	100mA	50/60Hz	12W max	170V DC	24HR	90MINS

*AMBIENT TEMPERATURE: 41°F ~ 122°F
**SOLD SEPARATELY

DIMENSIONS

CUTOUT: Ø2.55"

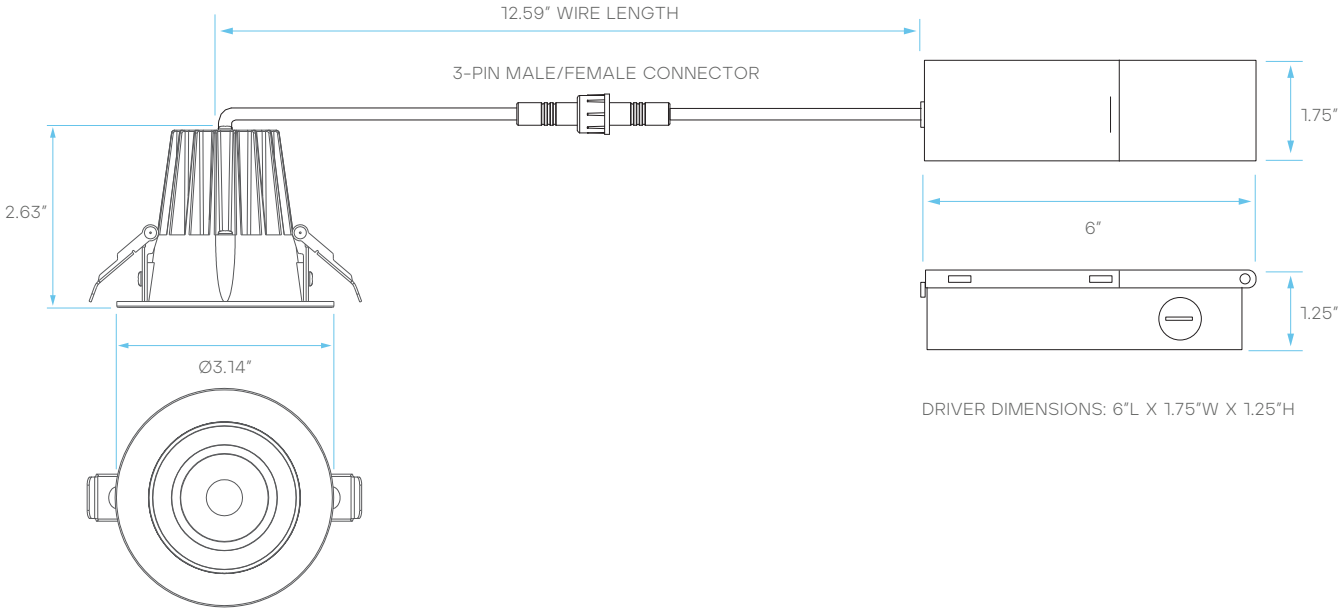
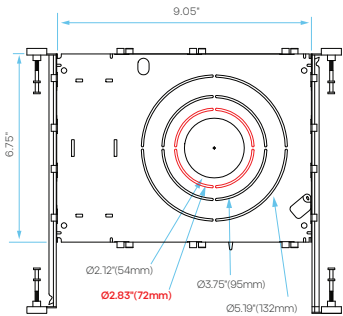


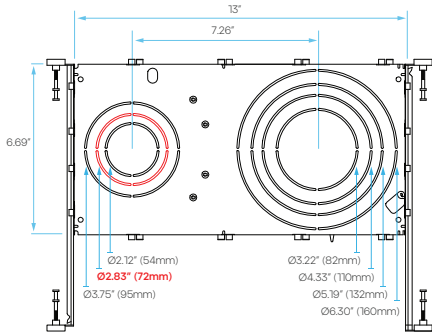
PLATE COMPATIBILITY*

*SOLD SEPARATELY

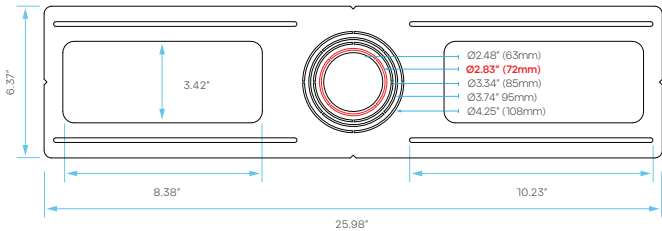
LR41004
KNOCKOUT
1



LR41010
KNOCKOUT
1



LR41011
KNOCKOUT
1



LR23277 LED/RDL2/5CCT/SQ/WT



APERTURE	2"
DISTRIBUTION	FIXED
APPLICATION	NEW CONSTRUCTION/REMODEL

ELECTRICAL

POWER	8W
INPUT VOLTS	120V
INPUT CURRENT	67mA
FREQUENCY	50/60Hz
DIMMING TYPE	TRIAC
DIMMING RANGE	5-100%
FEED WIRE GAUGE	24AWG
BREAKER SPECIFICATION *(15A @120V)	149pcs*

*Mathematically estimated value. Actual capacity may vary by breaker type and installation environment.

PHOTOMETRIC

COLOR CCT	2700K/3000K/3500K/4000K/5000K
CRI	90
LUMEN	600lm
EFFICACY	82lm/w
BEAM ANGLE	38°

CERTIFICATIONS & SAFETY

LR23277	ETL
IP RATING	IP44
DAMP LOCATION	YES
IC RATED	YES
AIR TIGHT	YES
OPERATING TEMP.	-4°F to 104°F
COST/YR	\$ 0.96
WARRANTY	5 YR

MATERIAL & APPLICATION

HEAT SINK	DIE-CAST ALUMINUM
TRIM	ALUMINUM
LENS	PC ACRYLIC
CUTOUT	Ø2.55"
MOUNTING TYPE	RECESSED
AREA OF APPLICATION	RESIDENTIAL, COMMERCIAL
CEILING TYPE	DRYWALL, WOOD

DRIVER

	POWER	INPUT VOLTS	INPUT CURRENT	FREQUENCY	INPUT POWER	OUTPUT VOLTAGE	DIMENSIONS	KNOCKOUTS
INCLUDED DRIVER	8W	120V	100mA	50/60Hz	8W max	36V DC	6"L X 1.75"W X 1.25"H	3

MODEL	DESCRIPTION	EM POWER	INPUT VOLTS	INPUT CURRENT	FREQUENCY	INPUT POWER	OUTPUT VOLTAGE	RECHARGE TIME	EMERGENCY TIME
LR35126**	LED/EMR/15W/AC/SF/E	15	100-347V	100mA	50/60Hz	12W max	170V DC	24HR	90MINS

*AMBIENT TEMPERATURE: 41°F ~ 122°F
**SOLD SEPARATELY

DIMENSIONS

CUTOUT: Ø2.55"

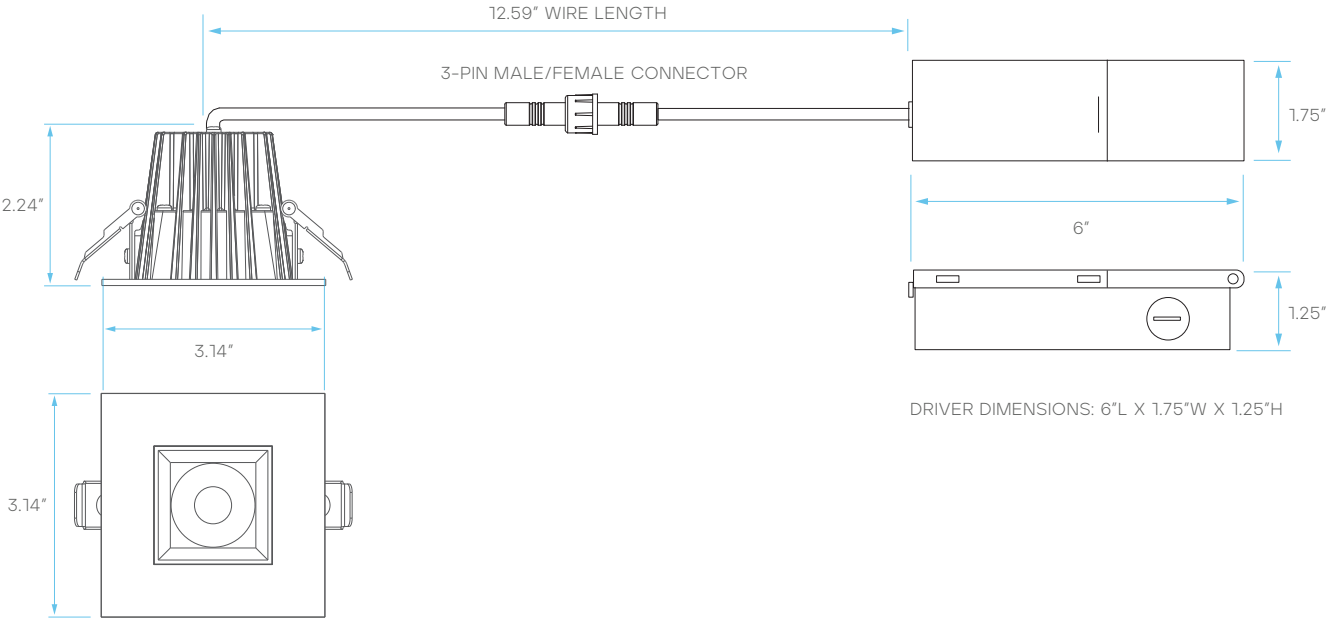
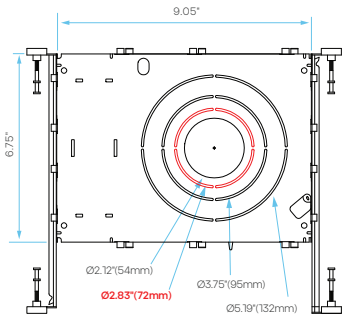


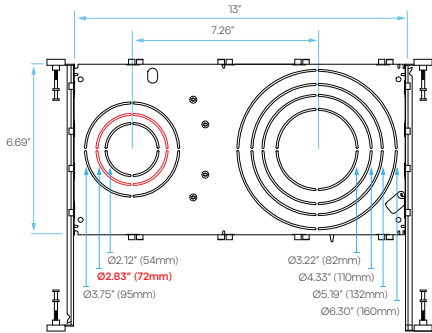
PLATE COMPATIBILITY*

*SOLD SEPARATELY

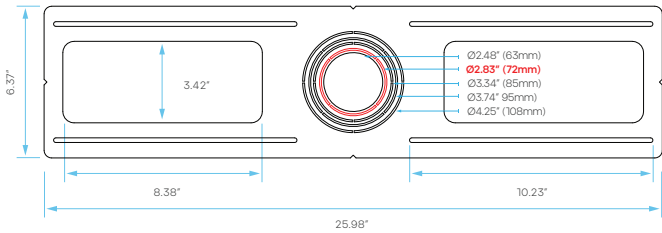
LR41004
KNOCKOUT
1



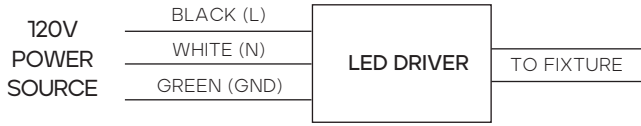
LR41010
KNOCKOUT
1



LR41011
KNOCKOUT
1



WIRING DIAGRAM



SUGGESTED COMPATIBLE DIMMER*

LUTRON	CTCL-153P
	DVCL-153PDH
LEVITON	DVCL-153P
	6672
PASS & SEYMOUR	6674
	HCL453PTCCCV6

*Dimmer performance may vary based on load, wiring, and installation conditions. Inclusion on this chart does not guarantee compatibility for every installation, and omission does not indicate incompatibility. Refer to the dimmer manufacturer's installation instructions and verify minimum load requirements to avoid field issues.

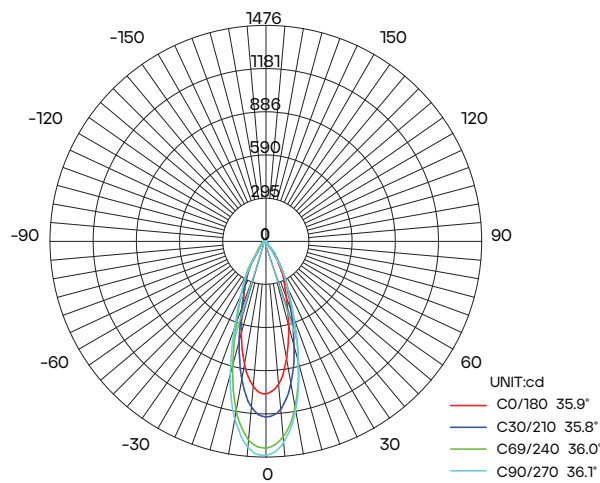
PACKAGING

MODEL	STYLE	INNER BOX DIMENSIONS	MASTER CARTON DIMENSIONS	CASE
LR23275	INNER BOX + MASTER CARTON	6.22" X 4.88" X 3.14"	20.47" X 16.73" X 13.18"	40
LR23277	INNER BOX + MASTER CARTON	6.22" X 4.88" X 2.75"	22.83" X 14.76" X 13.58"	40

LuxiFlow™ PHOTOMETRICS

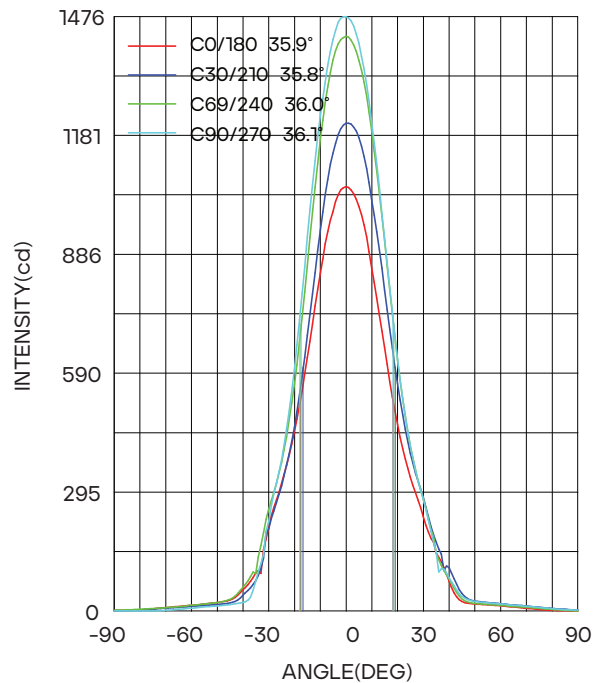
Luxrite® LuxiFlow® tool is for informational purposes only, it is not intended to provide lighting or electrical advice.

LUMINOUS INTENSITY DISTRIBUTION DIAGRAM



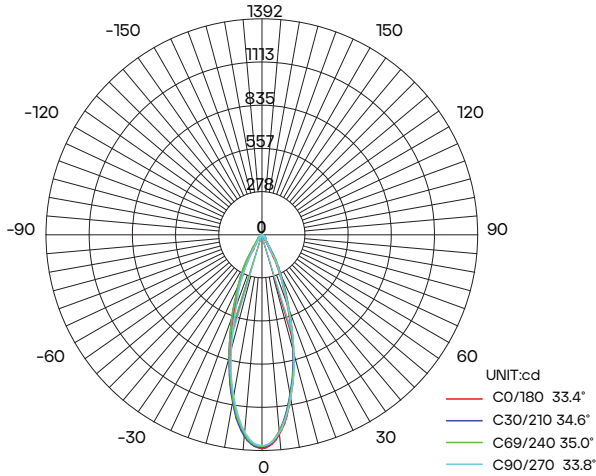
*DIAGRAM SHOWING LR23275 AT 4000K

LUMINOUS INTENSITY DISTRIBUTION



Luxrite® Luxiflow® tool is for informational purposes only, it is not intended to provide lighting or electrical advise.

LUMINOUS INTENSITY DISTRIBUTION DIAGRAM



AVERAGE BEAM ANGLE(50%): 34.2 DEG

*DIAGRAM SHOWING LR23277 AT 4000K

LUMINOUS INTENSITY DISTRIBUTION

