



Emergency Exit Sign – Edge Lit

Red/Green Selectable



Detail Specifications:

- Finish: White Finish
- IP Rating: IP20, Dry Location
- Material: Aluminum Housing
- Wattage: 3W
- Lumens: n/a
- Operating Temperature: 32°F to 104°F
- Lens: Red or Green
- Average life (L70) of 50,000 hours

Applications:

- Exit Doors
- Corridor Intersections
- Exit Stairways
- Exit ramps

Product Information:

- Built-in test switch and charge indicator
- Injection-molded thermoplastic housing, PC cover
- Backup Time: >90 minutes
- Recharge time: 24 hours
- Can be used as single & double face
- 6" height letters with 3/4" stroke, viewable from 100ft away

Driver Options:

- 120-277V Driver
- PF >0.9, 50/60Hz

Mounting & Installations:

- Wall and ceiling mounted
- Universal J-box mounting pattern

Certifications:

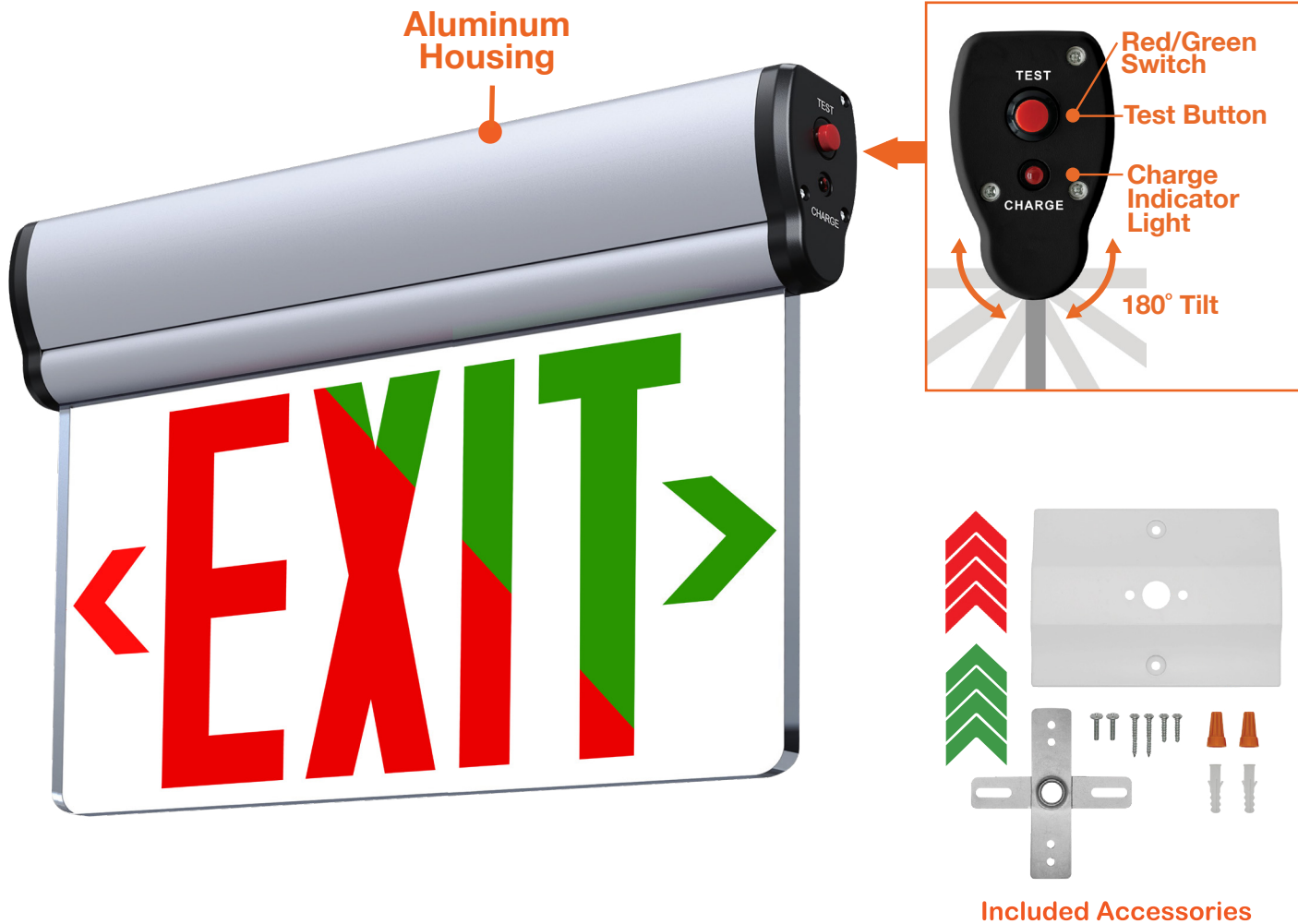
- UL Listed for USA and CA (UL94V-0 Flame Rating)
- Meets UL924, NDPA 101
- Approved for CA T24
- 3 Year Limited Warranty
- FCC CFR 47, GCC Part 15, Subpart B:2017

Series

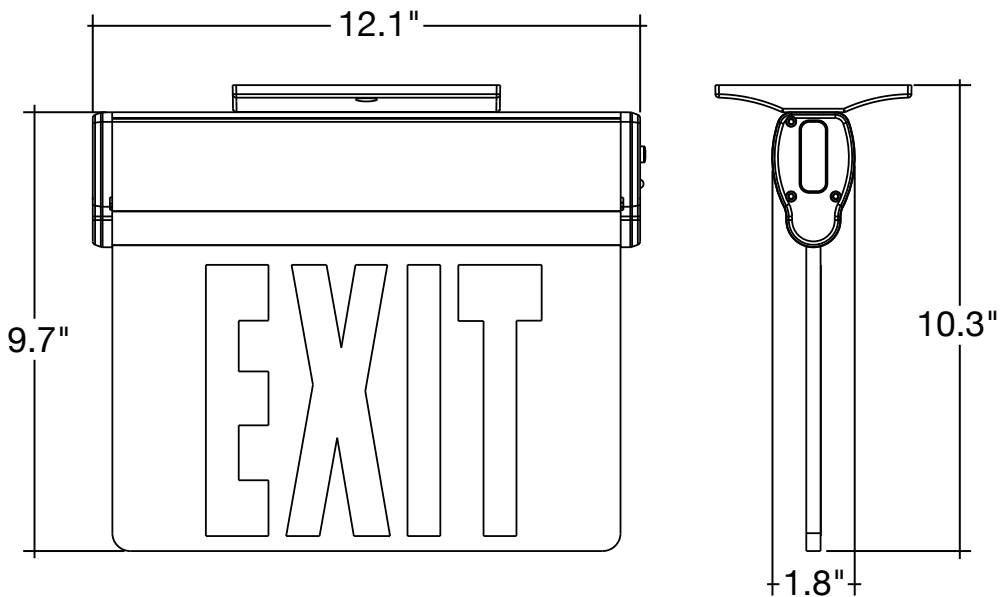
LED-EM-EXT-EL-RG

Specs and model numbers are subject to change with or without notice.

FEATURES



DIMENSIONS



Specs and model numbers are subject to change with or without notice.