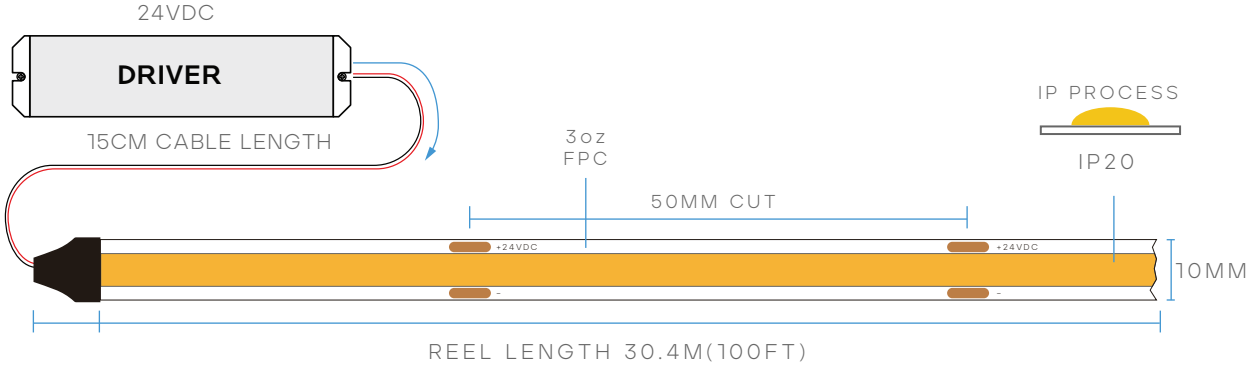


## TAPERITE™ COB TAPE LIGHT



### LR45152

1.5W/FT 152.4W/REEL IP-20

CRI 90 BEAM SPREAD 135° 24V 10MM 3oz FPC 100' REEL cUL US LISTED

MODEL	DESCRIPTION	COLOR (CCT)	LUMEN/FT	WATTAGE /FT	WATTAGE /REEL	EFFICACY
LR45152	LEDTL/COB/1.5W/935/IP20/24V/100FT	3500K - NATURAL	148	1.5W	152.5W	97lm/w

#### CHIP

CHIP:	CHIP ON BOARD
WIDTH:	10MM
CUT SIZE:	50MM

#### INSTALLATION

ADHESIVE:	9448A 3M TAPE
CABLE LENGTH:	15CM
MAX. RUN:	5M/16.4FT

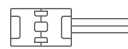
#### PACKAGING

CASE:	10 ROLLS
-------	----------

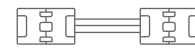
#### COMPATIBLE CONNECTORS



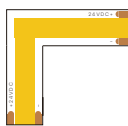
**TAPE TO TAPE**  
LR44713 10MM  
LEDTL/COB/10MM/CNCTR/T-T



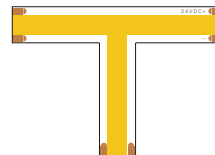
**TAPE TO CABLE**  
LR44714 10MM  
LEDTL/COB/10MM/CNCTR/T-C



**TAPE TO CABLE TO TAPE**  
LR44715 10MM  
LEDTL/COB/10MM/CNCTR/T-C-T



LR45142 10MM  
LEDTL/COB/4W/930/LEDCTR/L  
LR45144 10MM  
LEDTL/COB/4W/935/LEDCTR/L  
LR45146 10MM  
LEDTL/COB/4W/940/LEDCTR/L



LR45143 10MM  
LEDTL/COB/4W/930/LEDCTR/T  
LR45145 10MM  
LEDTL/COB/4W/935/LEDCTR/T  
LR45147 10MM  
LEDTL/COB/4W/940/LEDCTR/T

#### COMPATIBLE CHANNELS \*ALUMINUM CHANNEL REQUIRED FOR HEAT DISSIPATION

