

LUXRITE®

LED CANLESS - SPOTLIGHT REGRESSED PUSH AND LOCK TRIMLESS CHATHAM COLLECTION

3"



LR25436

3"



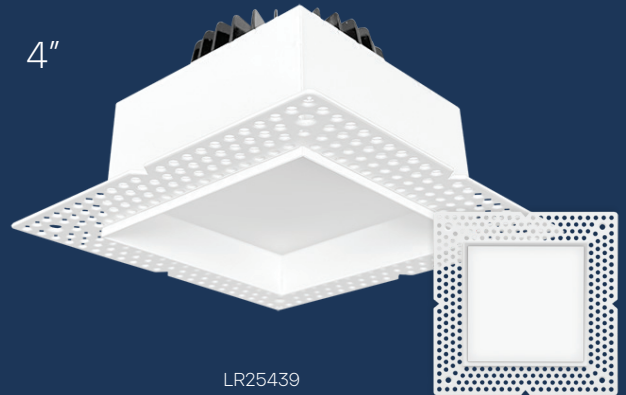
LR25437

4"



LR25438

4"



LR25439



LUXRITE®



END TO END
LIGHT DISTRIBUTION

*BOTH ROUND AND SQUARE

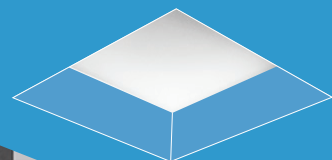
MODULE →

PLASTER
FRAME →



0.75" REGRESS

TRIMLESS LOOK
WHEN INSTALLED



PUSH AND LOCK TRIMLESS - REGRESSED
3" & 4" - CCT SELECTABLE
UNIVERSAL VOLTAGE/DUAL DIMMING



3"

LR25436

15W | 950 LUMENS



3"

LR25437

15W | 950 LUMENS



4"

LR25438

25W | 1950 LUMENS



4"

LR25439

25W | 1950 LUMENS

LR25436

LED/TLMD3/RGS/5CCT/RD/WT/UNV/DD/FL



REGRESSED

APERTURE	3"
DISTRIBUTION	FIXED/REGRESSED
APPLICATION	NEW CONSTRUCTION/TRIMLESS

ELECTRICAL

POWER	15W
INPUT VOLTS	120-277V
INPUT CURRENT	125mA
FREQUENCY	60Hz
DIMMING TYPE	TRIAC/0-10V
DIMMING RANGE	10-100%
FEED WIRE GAUGE	22AWG
BREAKER SPECIFICATION (15A @120V)	79pcs*

*Mathematically estimated value. Actual capacity may vary by breaker type and installation environment.

PHOTOMETRIC

COLOR CCT	2700K/3000K/3500K/4000K/5000K
CRI	90
LUMEN	950lm
EFFICACY	63lm/w
BEAM ANGLE	110°

CERTIFICATIONS & SAFETY

LR25436	ETL
WET LOCATION	YES
IC RATED	YES
AIR TIGHT	YES
OPERATING TEMP.	-4°F to 113°F
COST/YR	\$ 1.80
WARRANTY	5 YR

MATERIAL & APPLICATION

HEAT SINK	ALUMINUM
TRIM	ALUMINUM
LENS	PC
SPACKLE FLANGE	ALUMINUM
CUTOUT	Ø3.38"
MOUNTING TYPE	PUSH AND LOCK TRIMLESS (RECESSED)
AREA OF APPLICATION	RESIDENTIAL, COMMERCIAL
CEILING TYPE	DRYWALL, WOOD

DRIVER

	POWER	INPUT VOLTS	INPUT CURRENT	FREQUENCY	INPUT POWER	OUTPUT VOLTAGE	DIMENSIONS	KNOCKOUTS
INCLUDED DRIVER	15W	120-277V	125mA	60Hz	15W max	36V DC	5.07"L X 2.18"W X 2.26"H	2

MODEL	DESCRIPTION	EM POWER	INPUT VOLTS	INPUT CURRENT	FREQUENCY	INPUT POWER	OUTPUT VOLTAGE	RECHARGE TIME	EMERGENCY TIME
LR35126**	LED/EMR/15W/AC/SF/E	15	100-347V	100mA	50/60Hz	12W max	170V DC	24HR	90MINS

*AMBIENT TEMPERATURE: 41°F ~ 122°F
**SOLD SEPARATELY

DIMENSIONS

CUTOUT: Ø3.38"

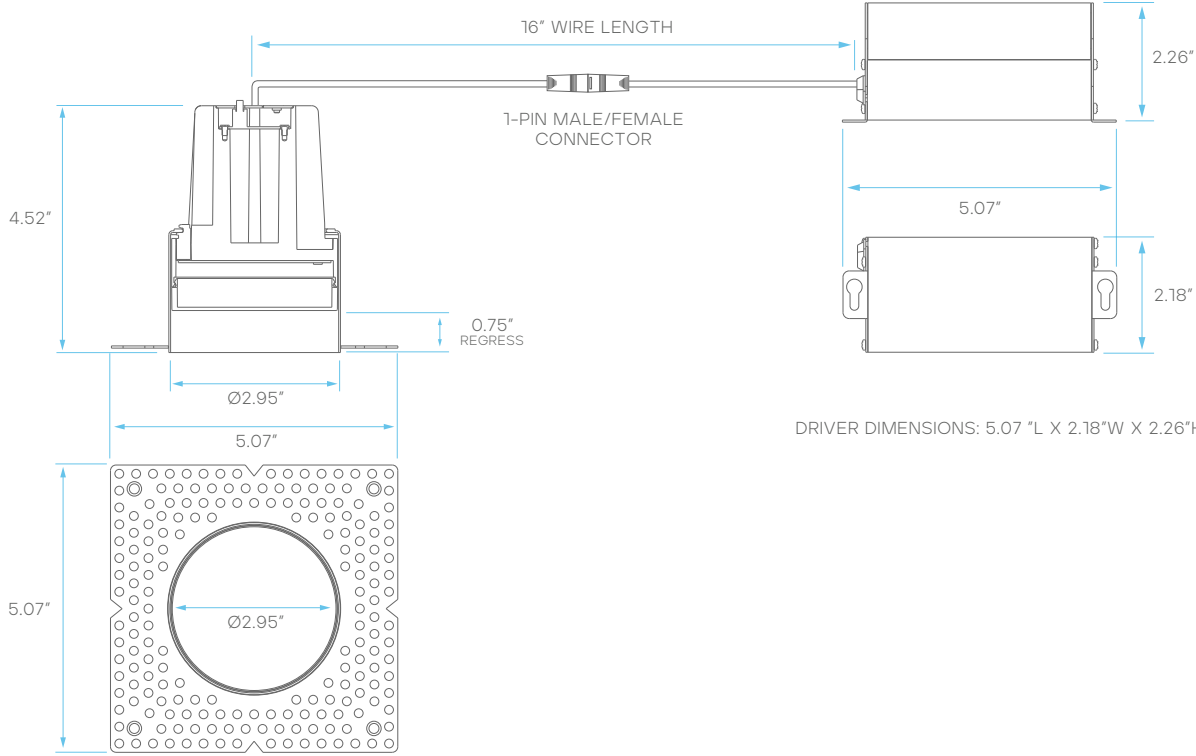
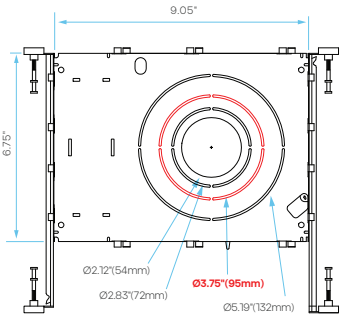


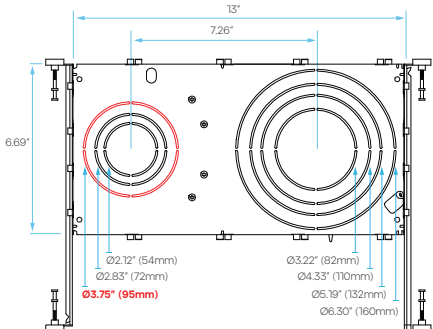
PLATE COMPATIBILITY*

*SOLD SEPARATELY

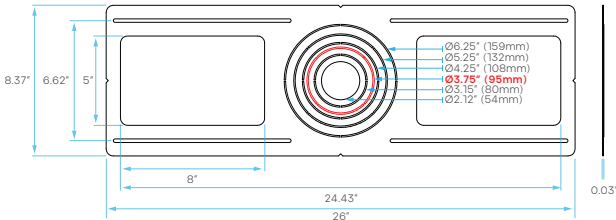
LR41004
KNOCKOUT
2



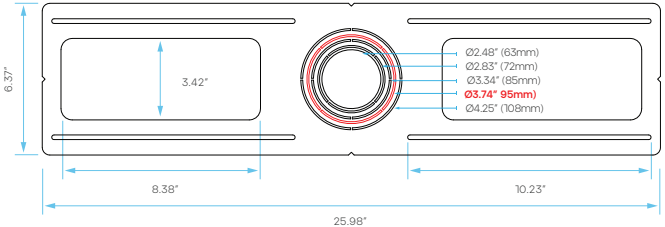
LR41010
KNOCKOUT
L2



LR41006
KNOCKOUT
2



LR41011
KNOCKOUT
3



LR25437

LED/TLMD3/RGS/5CCT/SQ/WT/UNV/DD/FL



REGRESSED

APERTURE	3"
DISTRIBUTION	FIXED/REGRESSED
APPLICATION	NEW CONSTRUCTION/TRIMLESS

ELECTRICAL

POWER	15W
INPUT VOLTS	120-277V
INPUT CURRENT	125mA
FREQUENCY	60Hz
DIMMING TYPE	TRIAC/0-10V
DIMMING RANGE	10-100%
FEED WIRE GAUGE	22AWG
BREAKER SPECIFICATION (15A @120V)	79pcs*

*Mathematically estimated value. Actual capacity may vary by breaker type and installation environment.

PHOTOMETRIC

COLOR CCT	2700K/3000K/3500K/4000K/5000K
CRI	90
LUMEN	950lm
EFFICACY	63lm/w
BEAM ANGLE	110°

CERTIFICATIONS & SAFETY

LR25437	ETL
WET LOCATION	YES
IC RATED	YES
AIR TIGHT	
OPERATING TEMP.	-4°F to 113°F
COST/YR	\$ 1.80
WARRANTY	5 YR

MATERIAL & APPLICATION

HEAT SINK	ALUMINUM
TRIM	ALUMINUM
LENS	PC
SPACKLE FLANGE	ALUMINUM
CUTOUT	3.38" X 3.38"
MOUNTING TYPE	PUSH AND LOCK TRIMLESS (RECESSED)
AREA OF APPLICATION	RESIDENTIAL, COMMERCIAL
CEILING TYPE	DRYWALL, WOOD

DRIVER

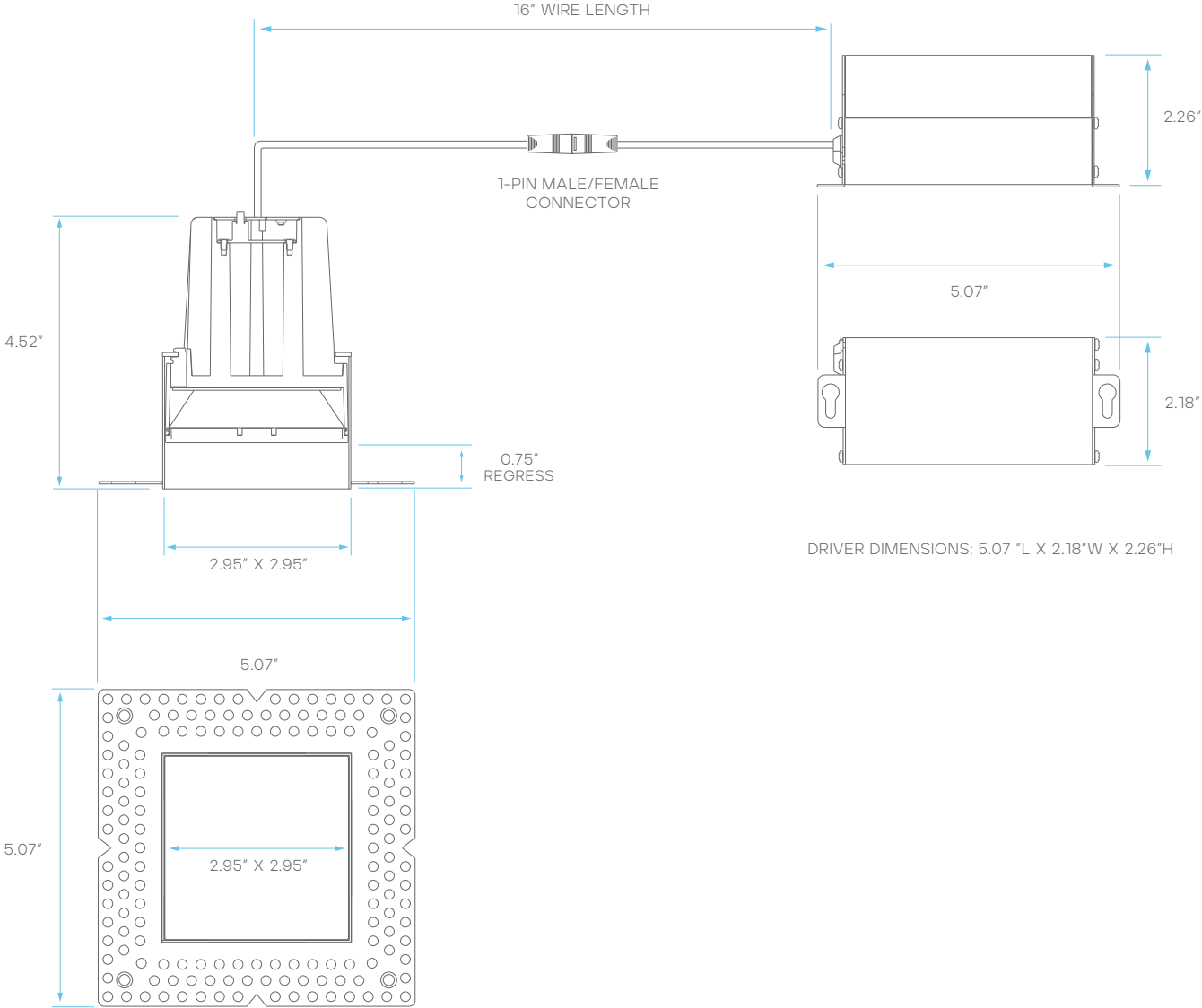
	POWER	INPUT VOLTS	INPUT CURRENT	FREQUENCY	INPUT POWER	OUTPUT VOLTAGE	DIMENSIONS	KNOCKOUTS
INCLUDED DRIVER	15W	120-277V	125mA	60Hz	15W max	36V DC	5.07"L X 2.18"W X 2.26"H	2

MODEL	DESCRIPTION	EM POWER	INPUT VOLTS	INPUT CURRENT	FREQUENCY	INPUT POWER	OUTPUT VOLTAGE	RECHARGE TIME	EMERGENCY TIME
LR35126**	LED/EMR/15W/AC/SF/E	15	100-347V	100mA	50/60Hz	12W max	170V DC	24HR	90MINS

*AMBIENT TEMPERATURE: 41°F ~ 122°F
*SOLD SEPARATELY

DIMENSIONS

CUTOUT: 3.38" x 3.38"



LR25438

LED/TLMD4HO/RGS/5CCT/RD/WT/UNV/DD/FL



REGRESSED

APERTURE	4"
DISTRIBUTION	FIXED/REGRESSED
APPLICATION	NEW CONSTRUCTION/TRIMLESS

ELECTRICAL

POWER	25W
INPUT VOLTS	120-277V
INPUT CURRENT	210mA
FREQUENCY	60Hz
DIMMING TYPE	TRIAC/0-10V
DIMMING RANGE	10-100%
FEED WIRE GAUGE	22AWG
BREAKER SPECIFICATION *(15A @120V)	47pcs

*Mathematically estimated value. Actual capacity may vary by breaker type and installation environment.

PHOTOMETRIC

COLOR CCT	2700K/3000K/3500K/4000K/5000K
CRI	1950
LUMEN	950lm
EFFICACY	78lm/w
BEAM ANGLE	110°

CERTIFICATIONS & SAFETY

LR25438	ETL
WET LOCATION	YES
IC RATED	YES
AIR TIGHT	YES
OPERATING TEMP.	-4°F to 113°F
COST/YR	\$ 3.01
WARRANTY	5 YR

MATERIAL & APPLICATION

HEAT SINK	ALUMINUM
TRIM	ALUMINUM
LENS	PC
SPACKLE FLANGE	ALUMINUM
CUTOUT	Ø4.25"
MOUNTING TYPE	PUSH AND LOCK TRIMLESS (RECESSED)
AREA OF APPLICATION	RESIDENTIAL, COMMERCIAL
CEILING TYPE	DRYWALL, WOOD

DRIVER

	POWER	INPUT VOLTS	INPUT CURRENT	FREQUENCY	INPUT POWER	OUTPUT VOLTAGE	DIMENSIONS	KNOCKOUTS
INCLUDED DRIVER	25W	120-277V	210mA	60Hz	25W max	36V DC	5.66"L X 2.54"W X 2.58"H	2

MODEL	DESCRIPTION	EM POWER	INPUT VOLTS	INPUT CURRENT	FREQUENCY	INPUT POWER	OUTPUT VOLTAGE	RECHARGE TIME	EMERGENCY TIME
LR35126**	LED/EMR/15W/AC/SF/E	15	100-347V	100mA	50/60Hz	12W max	170V DC	24HR	90MINS

*AMBIENT TEMPERATURE: 41°F ~ 122°F
*SOLD SEPARATELY

DIMENSIONS

CUTOUT: Ø4.25"

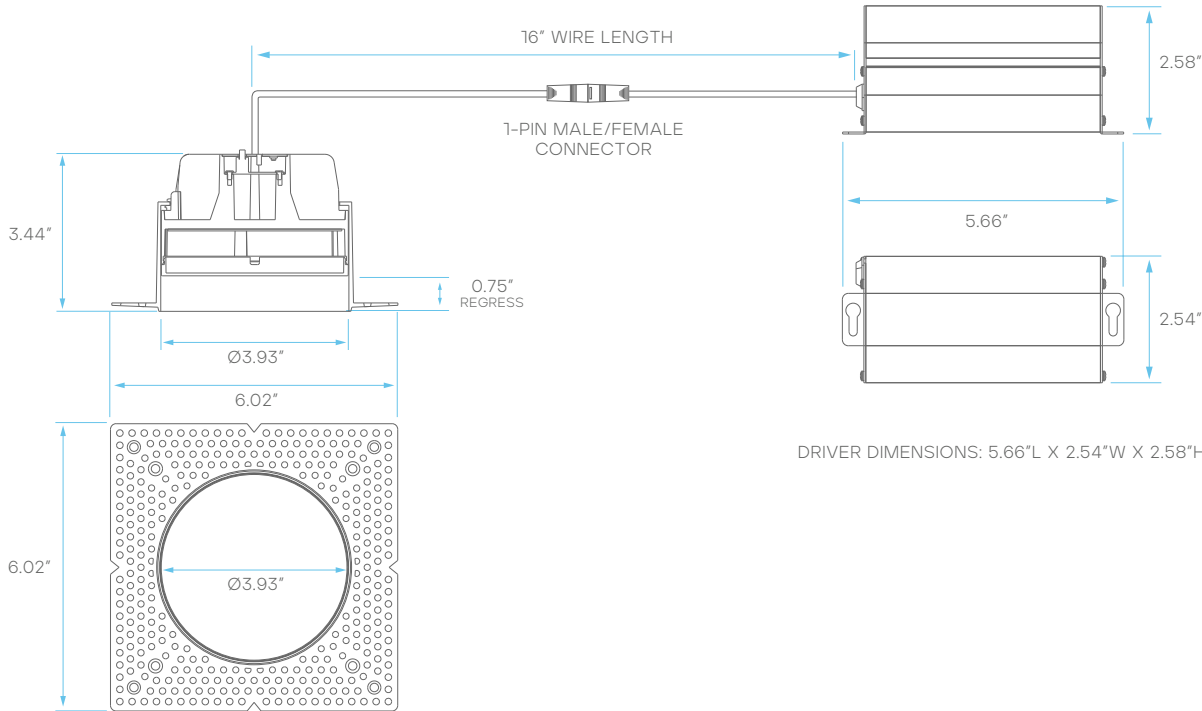
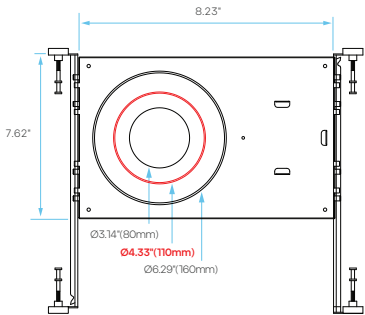


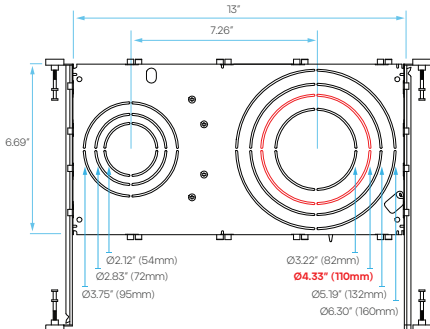
PLATE COMPATIBILITY*

*SOLD SEPARATELY

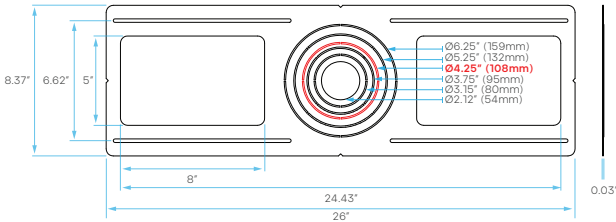
LR41002
KNOCKOUT
1



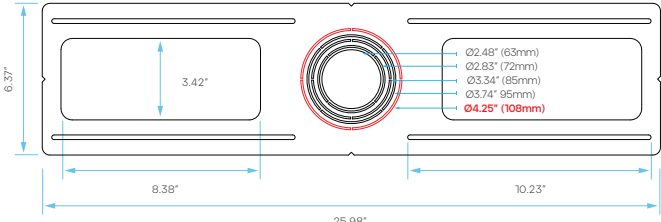
LR41010
KNOCKOUT
R1



LR41006
KNOCKOUT
3



LR41011
KNOCKOUT
4



LR25439

LED/TLMD4HO/RGS/5CCT/SQ/WT/UNV/DD/FL



REGRESSED

APERTURE	4"
DISTRIBUTION	FIXED/REGRESSED
APPLICATION	NEW CONSTRUCTION/TRIMLESS

ELECTRICAL

POWER	25W
INPUT VOLTS	120-277V
INPUT CURRENT	210mA
FREQUENCY	60Hz
DIMMING TYPE	TRIAC/0-10V
DIMMING RANGE	10-100%
FEED WIRE GAUGE	22AWG
BREAKER SPECIFICATION (15A @120V)	47pcs*

*Mathematically estimated value. Actual capacity may vary by breaker type and installation environment.

PHOTOMETRIC

COLOR CCT	2700K/3000K/3500K/4000K/5000K
CRI	1950
LUMEN	950lm
EFFICACY	78lm/w
BEAM ANGLE	110°

CERTIFICATIONS & SAFETY

LR25438	ETL
WET LOCATION	YES
IC RATED	YES
AIR TIGHT	
OPERATING TEMP.	-4°F to 113°F
COST/YR	\$ 3.01
WARRANTY	5 YR

MATERIAL & APPLICATION

HEAT SINK	ALUMINUM
TRIM	ALUMINUM
LENS	PC
SPACKLE FLANGE	ALUMINUM
CUTOUT	4.25" X 4.25"
MOUNTING TYPE	PUSH AND LOCK TRIMLESS (RECESSED)
AREA OF APPLICATION	RESIDENTIAL, COMMERCIAL
CEILING TYPE	DRYWALL, WOOD

DRIVER

	POWER	INPUT VOLTS	INPUT CURRENT	FREQUENCY	INPUT POWER	OUTPUT VOLTAGE	DIMENSIONS	KNOCKOUTS
INCLUDED DRIVER	25W	120-277V	210mA	60Hz	25W max	36V DC	5.66"L X 2.54"W X 2.58"H	2

MODEL	DESCRIPTION	EM POWER	INPUT VOLTS	INPUT CURRENT	FREQUENCY	INPUT POWER	OUTPUT VOLTAGE	RECHARGE TIME	EMERGENCY TIME
LR35126**	LED/EMR/15W/AC/SF/E	15	100-347V	100mA	50/60Hz	12W max	170V DC	24HR	90MINS

*AMBIENT TEMPERATURE: 41°F ~ 122°F
*SOLD SEPARATELY

DIMENSIONS

CUTOUT: 4.25" x 4.25"

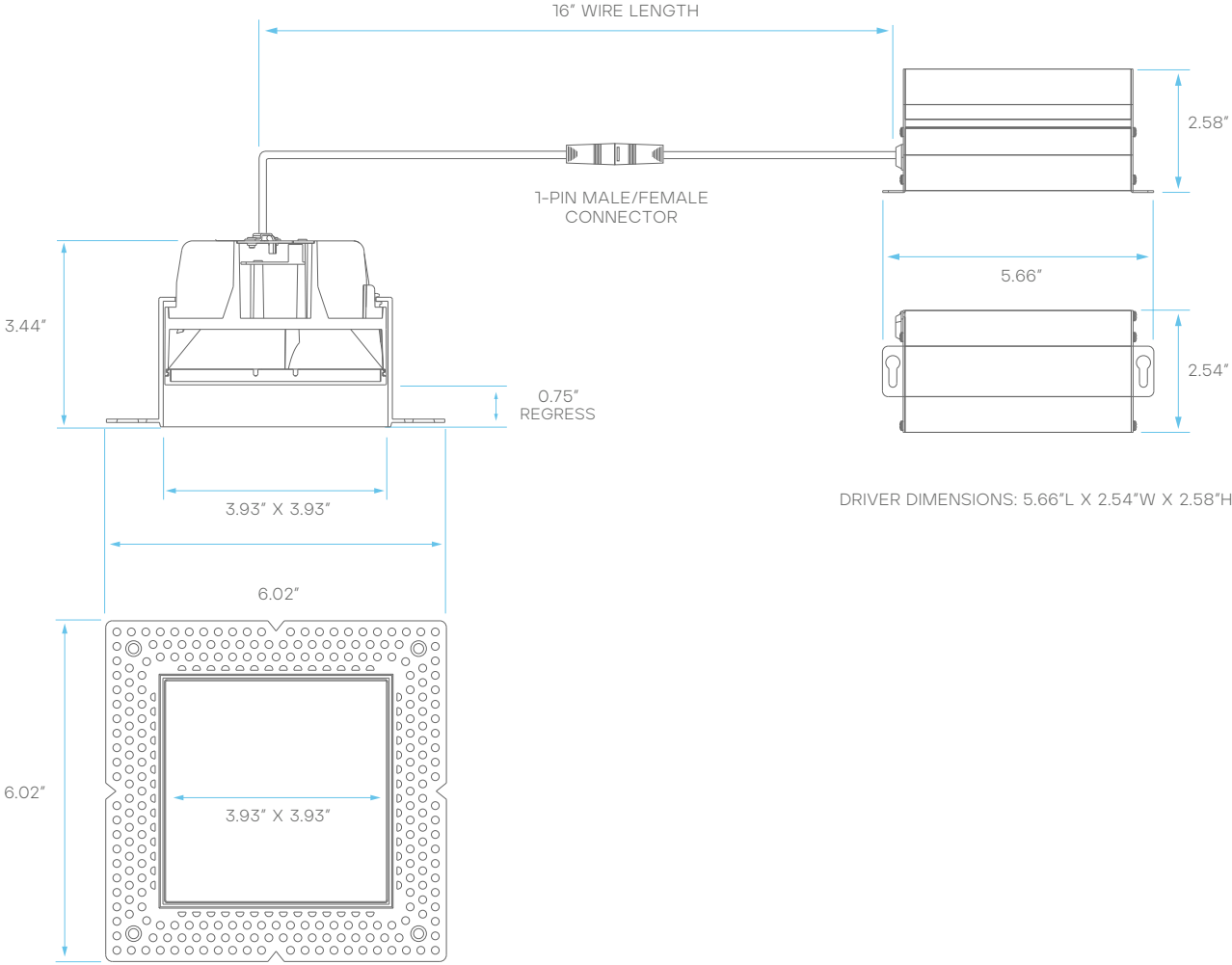
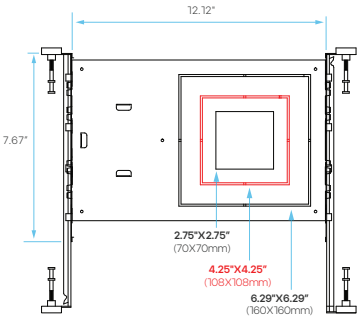


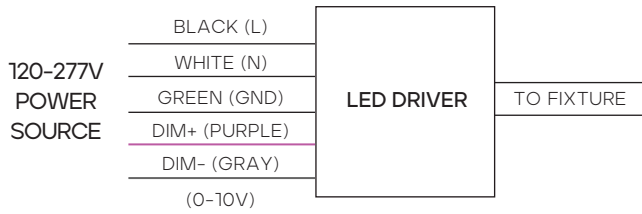
PLATE COMPATIBILITY*

*SOLD SEPARATELY

LR41005
KNOCKOUT
1



WIRING DIAGRAM



SUGGESTED COMPATIBLE DIMMER*

LUTRON	DIVA - DVTV
	DIVA - NFTV
	NOVA T - NTFTV
LEVITON	ILLUMATECH - IP7
LIGHTOLIER CONTROLS	ZP600FAM120
PHILIPS	SR1200ZTUNV

*Dimmer performance may vary based on load, wiring, and installation conditions. Inclusion on this chart does not guarantee compatibility for every installation, and omission does not indicate incompatibility. Refer to the dimmer manufacturer's installation instructions and verify minimum load requirements to avoid field issues

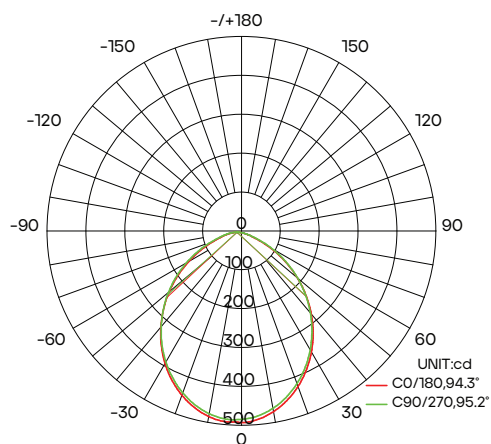
PACKAGING

MODEL	STYLE	INNER BOX DIMENSIONS	MASTER CARTON DIMENSIONS	CASE
LR25436	INNER BOX + MASTER CARTON	5.43" X 4.13" X 7.79"	17.12" X 16.34" X 17.32"	24
LR25437	INNER BOX + MASTER CARTON	5.43" X 4.13" X 7.79"	17.12" X 16.34" X 17.32"	24
LR25438	INNER BOX + MASTER CARTON	6.41" X 2.75" X 8.97"	17.32" X 13.58" X 18.70"	24
LR25439	INNER BOX + MASTER CARTON	6.41" X 2.75" X 8.97"	17.32" X 13.58" X 18.70"	24

LuxiFlow™ PHOTOMETRICS

Luxrite® LuxiFlow® tool is for informational purposes only, it is not intended to provide lighting or electrical advise.

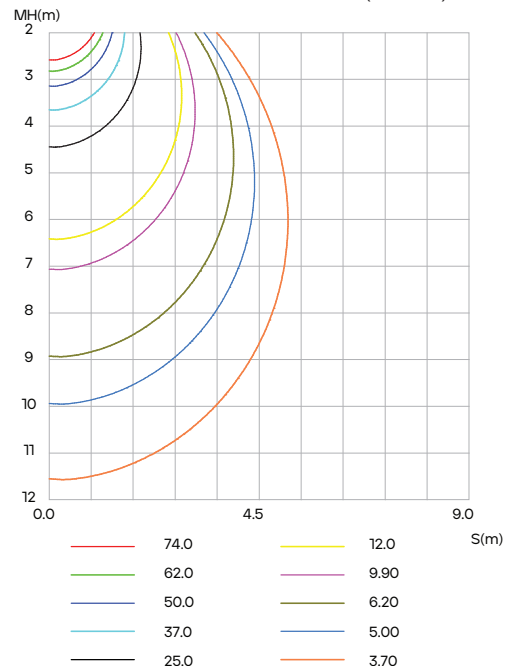
LUMINOUS INTENSITY DISTRIBUTION DIAGRAM



AVERAGE BEAM ANGLE(50%): 94.8 DEG

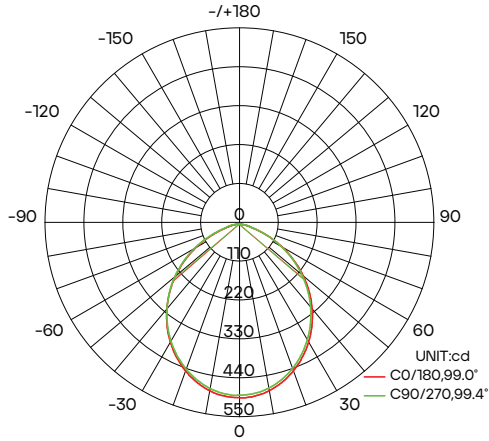
*DIAGRAM SHOWING LR25436 AT 2700K

CO PLANE ISOLUX DIAGRAM (UNIT:lx)



Luxrite® Luxiflow® tool is for informational purposes only, it is not intended to provide lighting or electrical advise.

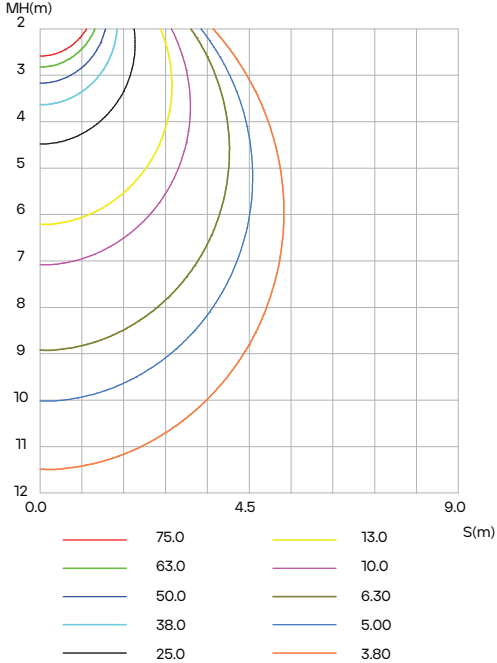
LUMINOUS INTENSITY DISTRIBUTION DIAGRAM



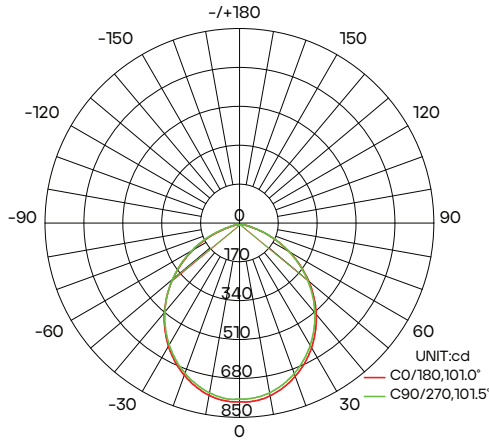
AVERAGE BEAM ANGLE(50%): 99.2 DEG

*DIAGRAM SHOWING LR25437 AT 2700K

C0 PLANE ISOLUX DIAGRAM (UNIT:lx)



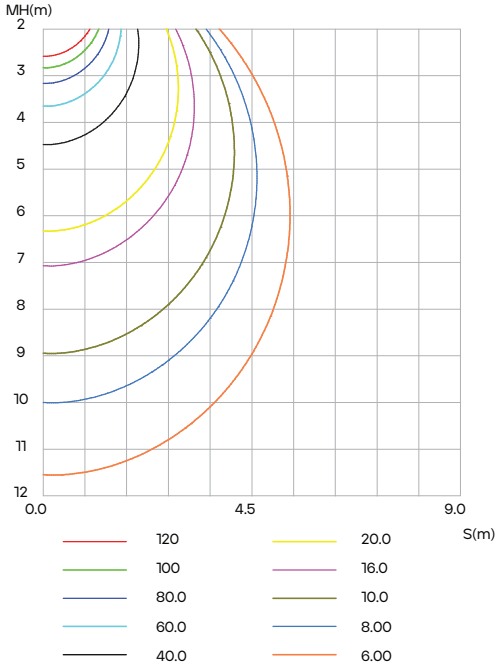
LUMINOUS INTENSITY DISTRIBUTION DIAGRAM



AVERAGE BEAM ANGLE(50%): 101.3 DEG

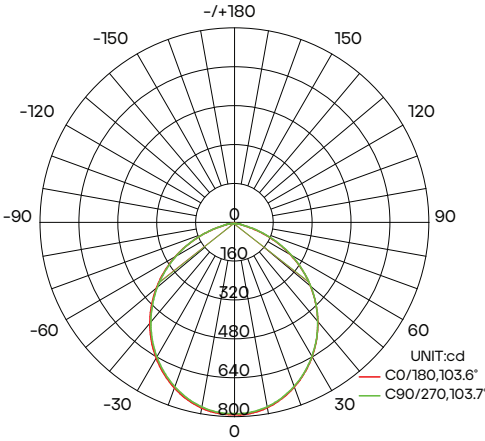
*DIAGRAM SHOWING LR25438 AT 2700K

C0 PLANE ISOLUX DIAGRAM (UNIT:lx)



Luxrite® Luxiflow® tool is for informational purposes only, it is not intended to provide lighting or electrical advice.

LUMINOUS INTENSITY DISTRIBUTION DIAGRAM



AVERAGE BEAM ANGLE(50%): 103.7 DEG

*DIAGRAM SHOWING LR25439 AT 2700K

C0 PLANE ISOLUX DIAGRAM (UNIT:lx)

