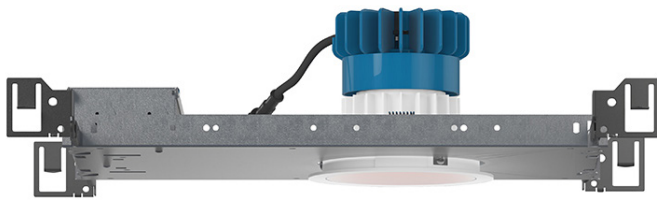


PROJECT INFORMATION		
JOB NAME		TYPE
ORDERING CODE		

NU essentials

4" Round & Square Downlight Standard White



30° - 60° BEAM		
(Note: Specifications are subject to change without notice)		
9mm COB PERFORMANCE DATA		
LED LIGHT ENGINE	NOMINAL DELIVERED LUMENS	SYSTEM WATTAGE
10LM	1070LM @30K/90CRI	11W
13LM	1360LM @30K/90CRI	14W
15LM	1560LM @30K/90CRI	16W
20LM	2000LM @30K/90CRI	21W
Notes	Delivered lumens based on 40D optic with np lens, (see page 2)	



14° - 25° BEAM		
(Note: Specifications are subject to change without notice)		
6mm COB PERFORMANCE DATA		
LED LIGHT ENGINE	NOMINAL DELIVERED LUMENS	SYSTEM WATTAGE
10LM	970LM @30K/90CRI	11W
15LM	1450LM @30K/90CRI	18W
Notes	Delivered lumens based on 25D optic with no lens, (see page 2)	

FEATURES

- Economical choice for budget projects
- Thermally optimized for LED longevity
- Fully casted assembly
- 14° - 80° optical beam control
- Packaging material consists of 60-80% post-consumer recycled fiber

DIMMING AND CONTROLS

- eldoLED Flicker free 0-10V dimming to 1%
- Leading & trailing edge (Triac/ELV) dimming to 1%

CONSTRUCTION

- Aluminum trim and bezel
- Electrocoated 16-gauge cold-rolled steel construction
- Accommodates ceiling thickness from 1/4" to 1"

LED

- 90 CRI: SDCM = 2-step MacAdam Ellipse, Lumen Maintenance: L₇₀ > 66,000 hrs

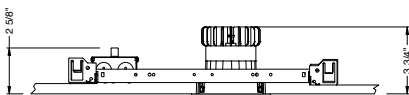
LISTING

- ULus Listed to UL1598; cUL Listed to CSA C22.2 #250.0
- NSF/ANSI-2 with lens (Non-Food and Splash Zones)
- IP44 with lens - suitable for wet location with lens - suitable damp location without lens
- 5 Year Limited warranty

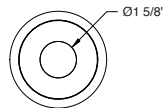
ELECTRICAL

- 120V-277V, 120 only Triac / ELV
- Power factor ≥ 0.9
- 2kV driver input surge protection
- 7W and 10W (T20 CEC) EM 90min battery
- Max. ambient installation temperature 104°F (40°C)

FIXTURE HEIGHT

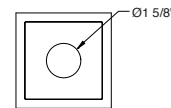


ROUND

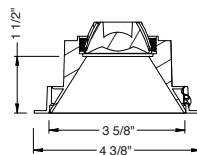


ceiling cutout
4" diameter
ceiling thickness
1/4" to 1"

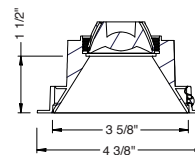
SQUARE



ceiling cutout
4" x 4" square
ceiling thickness
1/4" to 1"



aperture dimensions



aperture dimensions

alphabet

PROJECT INFORMATION		
JOB NAME		TYPE
ORDERING CODE		

15°- 80° BEAM ORDERING CODE

SERIES	NUE4	NUE						
TYPE	RD	round downlight						
	QD	square downlight						
LED	SW	standard white						
DELIVERED LUMENS	10LM	1070 lm						
	13LM	1360 lm						
	15LM	1560 lm						
	20LM	2000 lm						
Standard Configuration: 3000K 90CRI 40D NL								
Calculated Delivered Lumens = [Delivered Lumen Value] x [CCT Multiplier] x [Reflector Multiplier]								
CCT	27K	2700K	CCT	2700K	3000K	3500K	4000K	
	30K	3000K	CRI	90+	90+	90+	90+	
	35K	3500K	CCT MULTIPLIER FOR LUMEN OUTPUT	0.96	1	1.03	1.06	
	40K	4000K						
CRI	90	90 CRI						
OPTIC & LM MULTIPLIER SEE PAGE 3	14D¹	14 degrees						(0.90)
	25D¹	25 degrees						(1.00)
	30D	30 degrees						(0.95)
	40D	40 degrees						(1.00)
	60D	60 degrees						(1.00)
For 80° choose '60D' + 'DL' lens.								
LENS	NL²	no lens						(1.00)
	CL³	clear lens						(0.95)
	DL³	diffused lens						(0.76)
	HET³	high efficiency textured lens, similar to Solite™						(0.92)
	HCL⁴	honeycomb louver						(0.64)
TRIM COLOR	BK	black						
	WH	white						
	MC	matte chrome						
BEZEL COLOR	BK	black						(0.95)
	WH	white						(1.00)
	MC	matte chrome						(0.99)

15°- 80° BEAM ORDERING CODE

MOUNTING OPTIONS SEE PAGE 4, 7	NC	new construction with ceiling fitting plate
	IC	insulation contact housing
	ICAT	insulation contact/airtight housing
	CP	chicago plenum housing
	RET	retrofit, no ceiling fitting plate
	NCIC⁵	new construction with ceiling fitting plate, insulation contact rated (no housing required)
	RETIC⁵	retrofit, no ceiling fitting plate, insulation contact rated (no housing required)
VOLTAGE	I20	120V
	UNV	120V-277V
DIMMING	DIM10	eldoLED flicker free 0-10V dimming to 1%
	ELVI⁶	leading & trailing edge (Triac/ELV) dimming to 1%
ELECTRICAL OPTIONS	EM7	emergency battery backup, 90 minutes at 7W to LED
	EM10CA20	emergency battery backup, 90 minutes at 10W to LED, CA title 20

ADDITIONAL MOUNTING INFO

New Construction Bar Hangers (included)	Mounting Length: 14-3/4" to 26"
Extension Kit p/n: K20266 (ordered separately, 1 per fixture)	Extends a pair of Bar Hangers Total Mounting Length: 29" to 48"

YOUR COMPLETED ORDERING CODE

Follow the steps to specify your fixture, example:
NUE4 - RD - SW - 20LM - 30K - 90 - 30D - NL - WH - WH - NC - UNV - DIM10

NOTES

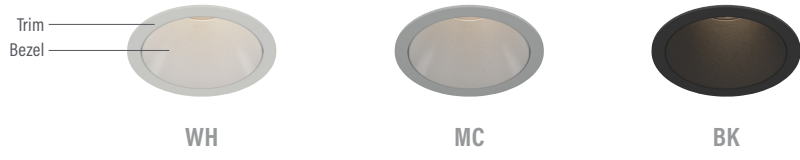
- 14D/25D available in 10LM/15LM. Not available with DL lens.
- NL lens option does not meet requirements for WET/NSF listings.
- CL/DL/HET lens options with IC or ICAT housing are JA8 compliant.
- HCL cannot be used with lens (max 1 media).
- NCIC/RETIC are available in 10LM/13LM rated for insulation contact (IC), no "IC-Housing" required.
- ELVI available in 120V.

alphabet

PROJECT INFORMATION		
JOB NAME		TYPE
ORDERING CODE		

TRIM OPTIONS

TRIM/BEZEL COLORS



OPTICAL OPTIONS

- UGR calculation based on CIE 117-1995; room size: 4H X 8H, reflectance: 70/50/20;
- UGR calculation based on 15LM fixtures, unless otherwise noted.



OPTIC	BEAM ANGLE	UGR
14D	13	≤5
25D	24	≤5
30D	30	8.5
40D	37	7.7
60D	47	13.9



OPTIC	BEAM ANGLE	UGR
14D	14	6.1
25D	25	≤5
30D	31	14
40D	41	11
60D	58	17.9



OPTIC	BEAM ANGLE	UGR
14D	14	6.5
25D	26	≤5
30D	32	13.4
40D	42	11.9
60D	58	17.9



OPTIC	BEAM ANGLE	UGR
30D	65	21.2
40D	70	22.3
60D	80	23.2



OPTIC	BEAM ANGLE	UGR
14D	18	7.8
25D	27	≤5
30D	34	13.5
40D	41	13.9
60D	56	18.8

alphabet

PROJECT INFORMATION		
JOB NAME		TYPE
ORDERING CODE		

PHOTOMETRIC DATA

10LM	
	90CRI
2700K	0.96
3000K	1
3500K	1.03
4000K	1.06
FC Formula = CBCP / Distance ²	

30D 31° WITH NO LENS	
Throw Distance (ft)	Beam Diameter (ft)
6	3.4
8	4.5
10	5.6
12	6.7
14	7.9
Illuminance at Center (fc)	
74	
41	
27	
18	
14	
WATTS: 10.4	LPW: 97.2
LUMENS: 1011	CCT: 3000K
INTENSITY	
DEGREE	CANDELA
0	2653
5	2580
15	1442
25	496
35	152
45	30

40D 41° WITH NO LENS	
Throw Distance (ft)	Beam Diameter (ft)
6	4.5
8	6
10	7.5
12	9.1
14	10.6
Illuminance at Center (fc)	
64	
36	
23	
16	
12	
WATTS: 10.4	LPW: 102.9
LUMENS: 1070	CCT: 3000K
INTENSITY	
DEGREE	CANDELA
0	2293
5	2242
15	1761
25	631
35	100
45	15

60D 58° WITH NO LENS	
Throw Distance (ft)	Beam Diameter (ft)
6	6.6
8	8.8
10	11
12	13.2
14	15.4
Illuminance at Center (fc)	
35	
20	
13	
9	
6	
WATTS: 10.4	LPW: 100.6
LUMENS: 1046	CCT: 3000K
INTENSITY	
DEGREE	CANDELA
0	1251
5	1242
15	1137
25	813
35	300
45	47

20LM	
	90CRI
2700K	0.96
3000K	1
3500K	1.03
4000K	1.06
FC Formula = CBCP / Distance ²	

30D 31° WITH NO LENS	
Throw Distance (ft)	Beam Diameter (ft)
6	3.4
8	4.5
10	5.6
12	6.7
14	7.9
Illuminance at Center (fc)	
138	
78	
50	
35	
25	
WATTS: 20.7	LPW: 91.5
LUMENS: 1893	CCT: 3000K
INTENSITY	
DEGREE	CANDELA
0	4969
5	4832
15	2700
25	930
35	285
45	56

40D 41° WITH NO LENS	
Throw Distance (ft)	Beam Diameter (ft)
6	4.5
8	6
10	7.5
12	9.1
14	10.6
Illuminance at Center (fc)	
119	
67	
43	
30	
22	
WATTS: 20.7	LPW: 96.8
LUMENS: 2004	CCT: 3000K
INTENSITY	
DEGREE	CANDELA
0	4294
5	4198
15	3298
25	1182
35	187
45	27

60D 58° WITH NO LENS	
Throw Distance (ft)	Beam Diameter (ft)
6	6.6
8	8.8
10	11
12	13.2
14	15.4
Illuminance at Center (fc)	
65	
37	
23	
16	
12	
WATTS: 20.7	LPW: 94.7
LUMENS: 1959	CCT: 3000K
INTENSITY	
DEGREE	CANDELA
0	2343
5	2326
15	2129
25	1523
35	561
45	88

alphabet

PROJECT INFORMATION		
JOB NAME		TYPE
ORDERING CODE		

PHOTOMETRIC DATA

10LM	
	90CRI
2700K	0.96
3000K	1
3500K	1.03
4000K	1.06
FC Formula = CBCP / Distance ²	

14D 13.7° WITH NO LENS	
Throw Distance (ft)	Beam Diameter (ft)
6	1.4
8	1.9
10	2.4
12	2.9
14	3.4
Illuminance at Center (fc)	
307	
173	
110	
77	
56	
WATTS: 11.1	LPW: 78.4
LUMENS: 870	CCT: 3000K
INTENSITY	
DEGREE	CANDELA
0	11050
5	8165
15	579
25	164
35	55
45	12

25D 25° WITH NO LENS	
Throw Distance (ft)	Beam Diameter (ft)
6	2.7
8	3.6
10	4.5
12	5.4
14	6.3
Illuminance at Center (fc)	
140	
78	
50	
35	
26	
WATTS: 11.1	LPW: 87.5
LUMENS: 972	CCT: 3000K
INTENSITY	
DEGREE	CANDELA
0	5024
5	4701
15	1724
25	116
35	25
45	5

15LM	
	90CRI
2700K	0.96
3000K	1
3500K	1.03
4000K	1.06
FC Formula = CBCP / Distance ²	

14D 13.7° WITH NO LENS	
Throw Distance (ft)	Beam Diameter (ft)
6	1.4
8	1.9
10	2.4
12	2.9
14	3.4
Illuminance at Center (fc)	
459	
258	
165	
115	
84	
WATTS: 18.1	LPW: 71.9
LUMENS: 1301	CCT: 3000K
INTENSITY	
DEGREE	CANDELA
0	16518
5	12205
15	865
25	245
35	82
45	18

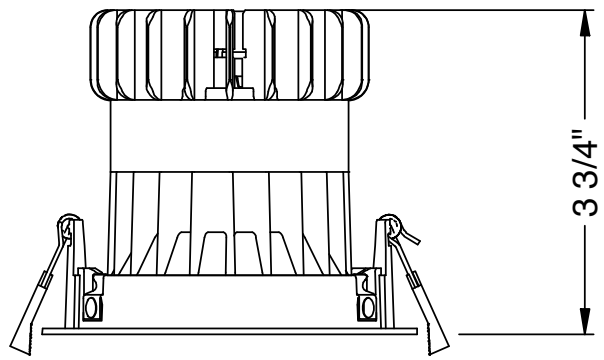
25D 25° WITH NO LENS	
Throw Distance (ft)	Beam Diameter (ft)
6	2.7
8	3.6
10	4.5
12	5.4
14	6.3
Illuminance at Center (fc)	
209	
117	
75	
52	
38	
WATTS: 18.1	LPW: 80.3
LUMENS: 1453	CCT: 3000K
INTENSITY	
DEGREE	CANDELA
0	7509
5	7028
15	2578
25	173
35	37
45	8

alphabet

PROJECT INFORMATION		
JOB NAME		TYPE
ORDERING CODE		

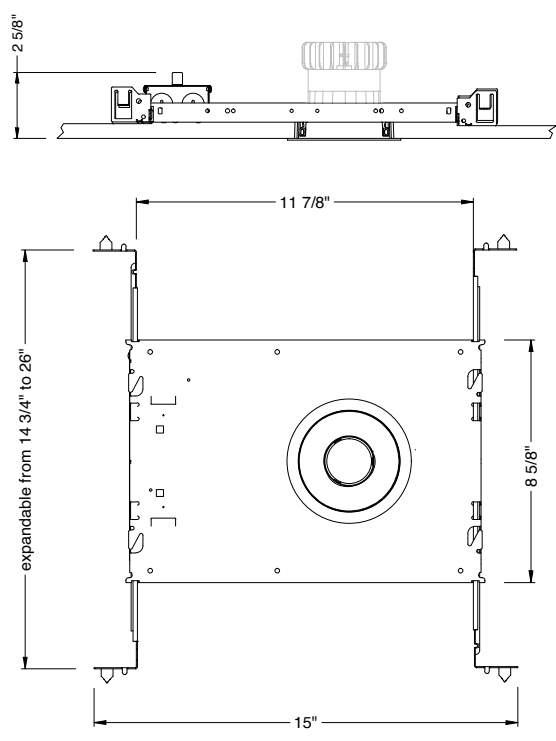
MOUNTING OPTIONS

FIXTURE HEIGHT

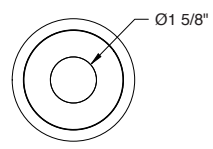


NC - NEW CONSTRUCTION

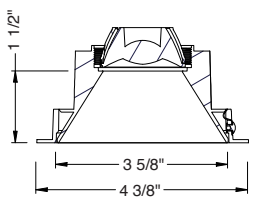
TRIM



ROUND

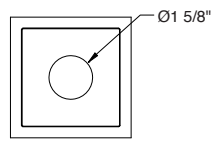


ceiling cutout
4" diameter
ceiling thickness
1/4" to 1"

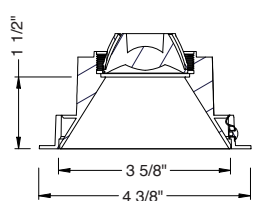


aperture dimensions

SQUARE



ceiling cutout
4" x 4" square
ceiling thickness
1/4" to 1"

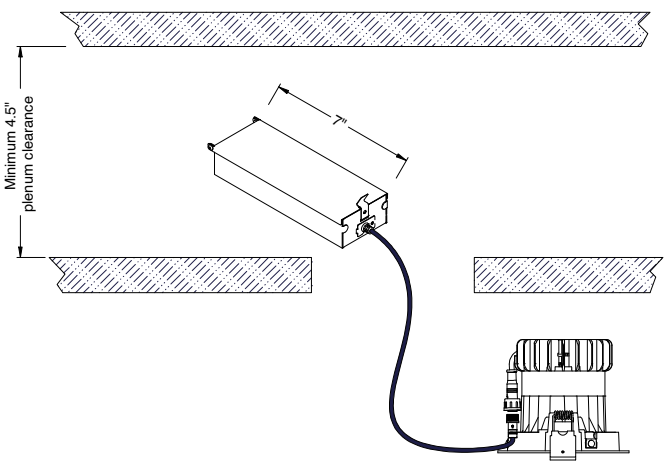


aperture dimensions

PROJECT INFORMATION		
JOB NAME		TYPE
ORDERING CODE		

MOUNTING OPTIONS (CONTINUED)

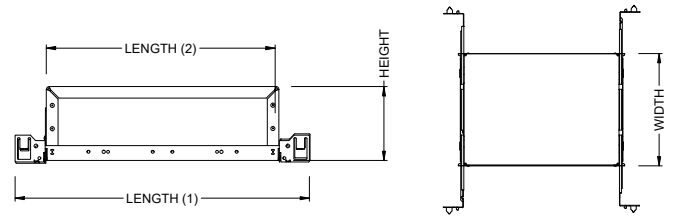
NC - RET - NCIC - RETIC



RATINGS / CERTIFICATIONS	NC	RET	IC	ICAT	CP	NCIC	RETIC
TYPE NON-IC	✓	✓					
TYPE IC			✓	✓		✓	✓
CHICAGO PLENUM (CCEA)					✓		
SUITABLE FOR AIR HANDLING PLENUMS	✓	✓	✓	✓	✓	✓	✓

CEILING THICKNESS	
FIXTURE TYPE	MOUNTING TYPE
	STANDARD CEILING THICKNESS
TRIM	1/4" to 1"

IC - INSULATION CONTACT HOUSING ICAT - INSULATION CONTACT / AIR TIGHT CP - CHICAGO PLENUM



BOX SIZE	L 1	L 2	W	H
A	15 - 7/16"	11 - 3/4"	8 - 1/2"	6 - 3/4"

BOX TYPE / LUMEN OUTPUT - STANDARD BEAMS (30° - 80)			
LUMEN OUTPUT	BOX - A		
	IC	ICAT	CP
10LM	✓	✓	✓
15LM	✓	✓	✓
20LM	✓	✓	✓

PROJECT INFORMATION		
JOB NAME		TYPE
ORDERING CODE		

BATTERY OPTIONS

EMERGENCY BATTERY

IOTA's ILB Battery Backups are UL Listed LED emergency drivers that allow the same LED fixture to be used for both normal and emergency operation. In the event of a power failure, the ILB switches to the emergency mode and operates the existing fixture for 90 minutes. The unit contains a battery, charger, and converter circuit in a single can. The Constant Power design of the ILB maintains the output wattage to the LED array even as the system voltage diminishes. UL 924 Listed for U.S. and Canada. UL 1310 Certified, Output Class 2 Compliant. Includes single-piece TBTS test switch and charge indicator accessory kit. For use with switched and unswitched fixtures, and includes Two-wire universal AC input. Meets or exceeds all National Electric Code and Life Safety Code Emergency Lighting Requirements. Rated for use in Plenum, Damp Location, Recessed Type IC, and Enclosed and Gasketed Luminares.

REMOTE TEST SWITCH

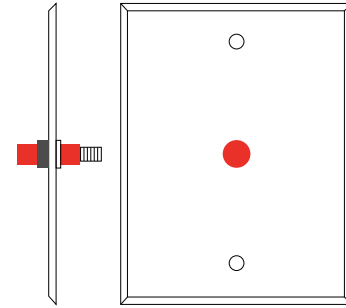
The Remote Test Switch may be mounted adjacent to the LED Fixture by others.

EMERGENCY BATTERY ACCESS

Above ceiling access is required.

REMOTE LOCATION

Maximum remote mounting distance of the emergency driver shall be 50 feet. Remote location wiring provided by others. Follow all Local and National Electric/ Building Codes.

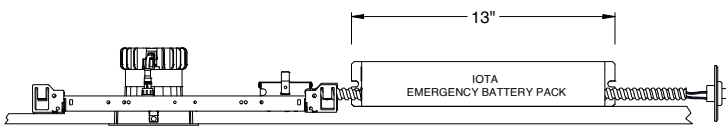


Remote Test Switch

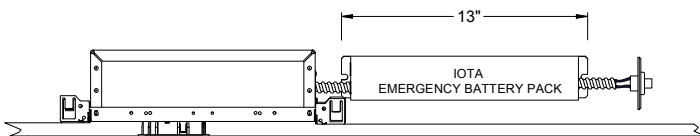
EM MODE OUTPUT (DELIVERED LUMENS)		
LUMEN ORDERING CODE	EM7	EM10
ALL OPTIONS (10LM TO 20LM)	750LM	1070LM

Notes: Based on 30K, 90CRI

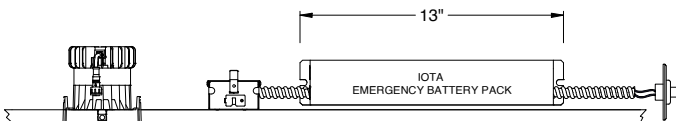
NC - NEW CONSTRUCTION WITH EM BATTERY (REMOTE TEST SWITCH)



IC / ICAT / CP - INSULATION CONTACT HOUSING WITH EM BATTERY (REMOTE TEST SWITCH)

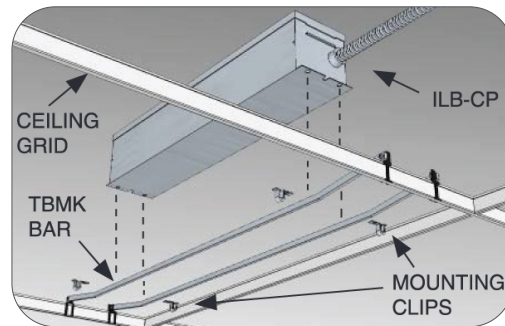


RET - RETROFIT WITH EM BATTERY (REMOTE TEST SWITCH)



Accessory

76066 Optional T-Grid Mounting Kit¹



1. Can be used with any of the Emergency Battery Backups. Must be ordered as a separate line item.