

LED OUTDOOR UNIVERSAL FLOOD LIGHT - CCT & WATTAGE SELECTABLE LR40360, LR40361, LR40362, LR40370, LR40371, LR40372, LR40375

CAUTION

1. **DO NOT** use an electric generator to test LED fixtures.
2. Please abide by related country, regional and local law regulations when installing this fixture.
3. Please turn off the power before installation or maintenance.
4. Proper earth grounding is required to ensure safety.

NOTICE:

1. To avoid possibility of electrical shock or fire, the installation personnel must have professional electric knowledge.
2. Please wear gloves to avoid injury before installation.
3. If any smoke or spark of the wire happens, please turn off the power immediately and notify relevant personnel.

ATTENTION:

1. Please check if there is any damage during shipping. If so, please contact manufacturer timely.
2. Please read these installation instructions carefully to check whether all the accessories are complete. After confirmation, then install the fixture according to the installation steps.

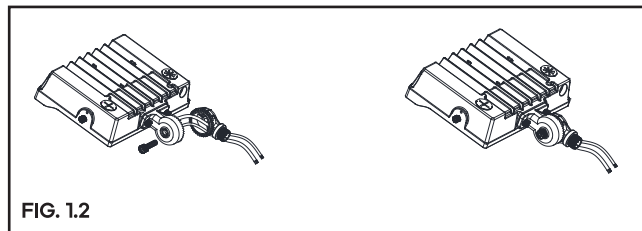
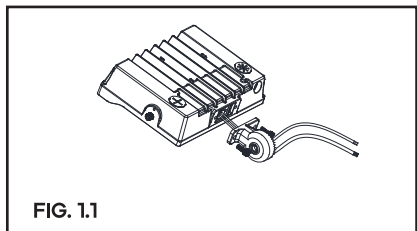
INSTALLATION 1: KNUCKLE MOUNT

1.1 INSTALLED WITH 1/2 KNUCKLE MOUNT (LR40360, LR40361, LR40362, LR40370, LR40371, LR40372)

STEP 1. Take the fixture out of the package.

STEP 2. Match the hole of rubber mat with bracket, pass wire through and fix it with screws (Be careful not to scratch the wire); **FIG. 1.1**

STEP 3. Pass the wire through from the other bracket and fix it with screws. (Be careful not to scratch the wire). **FIG. 1.2**

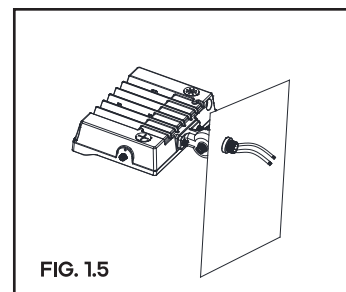
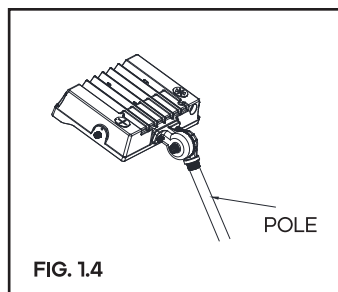
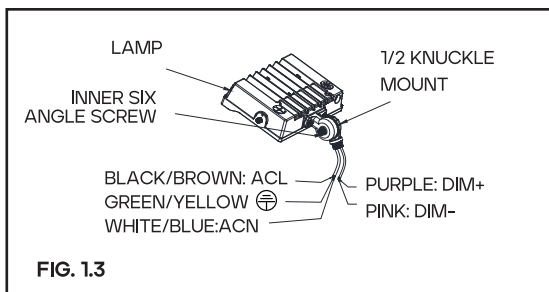


1.2 INSTALLED WITH WHOLE FIXTURE (LR40360, LR40361, LR40362, LR40370, LR40371, LR40372)

STEP 1. Take the fixture out of the package.

STEP 2. Finish the wire connection according to the right mode of connection (pay attention to positive wire, negative wire, and ground wire), **FIG. 1.3** and then put wire into lamp pole; **FIG. 1.4**

STEP 3. Loosen screws; adjust fixture angles as per actual demands and tighten screws later; Angle of the fixture is adjustable (pass the bracket through mounting surface, fix it with screws then connect the wires as per proper wiring requirements) **FIG. 1.5**



INSTALLATION 2: SLIPFITTER MOUNT

2.1 INSTALLED WITH SLIPFITTER MOUNT (LR40360, LR40361, LR40362, LR40370, LR40371, LR40372)

STEP 1. Take the fixture out of the package.

STEP 2. Pass the fubber wire through the mounting head of the bracket and secure it with an inner hexagon screw. (Be careful not to scratch the wire). **FIG. 2.1**

STEP 3. Run the rubber wire through the other holder and tighten it with the hexagon socket screw. (Be careful not to scratch the wire). **FIG. 2.2**

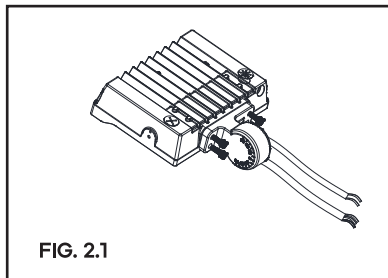


FIG. 2.1

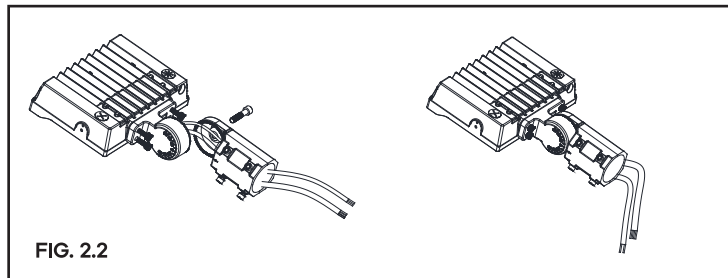


FIG. 2.2

2.2 INSTALLED WITH WHOLE FIXTURE (LR40360, LR40361, LR40362, LR40370, LR40371, LR40372, LR40375)

STEP 1. Take the fixture out of the package.

STEP 2. Finish the wire connection according to the right mode of connection (pay attention to positive wire, negative wire, and ground wire), and then put the wire into lamp pole. **FIG. 2.3**

STEP 3. Loosen screws: Adjust fixture angles as per actual demands and tighten screws later. Angle of the fixture is adjustable (pass the bracket through mounting surface, fix it with screws, then connect the wires as per proper wiring requirements) **FIG. 2.4**

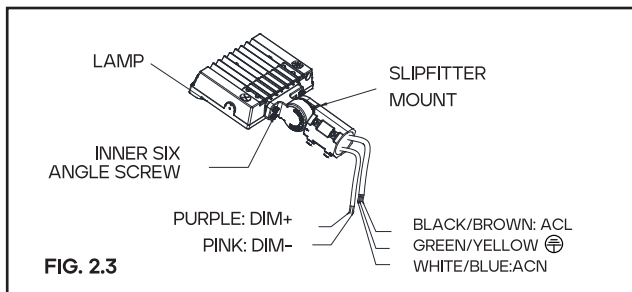


FIG. 2.3

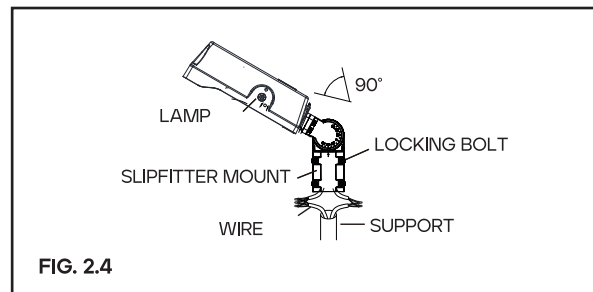


FIG. 2.4

INSTALLATION 3: SLIPFITTER MOUNT

3.1 INSTALLED WITH SLIPFITTER (LR40362, LR40372, LR40375)

STEP 1. Take the fixture out of the package.

STEP 2. Pass the rubber wire through the mounting head of the bracket and secure it with an inner hexagon screw. (Be careful not to scratch the wire). **FIG. 3.1**

STEP 3. Run the rubber wire through the other holder and tighten it with the hexagon socket screw. (Be careful not to scratch the wire). **FIG. 3.2**

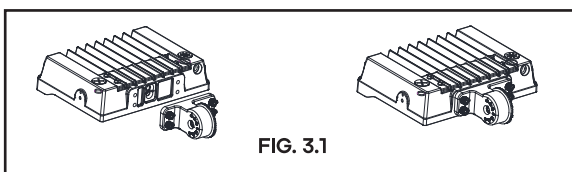


FIG. 3.1

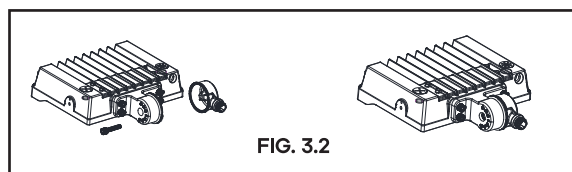


FIG. 3.2

3.2 INSTALLED WITH WHOLE FIXTURE (LR40362, LR40372, LR40375)

STEP 1. Take the fixture out of the package.

STEP 2. Finish the wire connection according to the right mode of connection (pay attention to positive wire, negative wire, and ground wire), and then put the wire into lamp pole. **FIG. 3.3**

STEP 3. Loosen screws: Adjust fixture angles as per actual demands and tighten screws later. Angle of the fixture is adjustable (pass the bracket through mounting surface, fix it with screws, then connect the wires as per proper wiring requirements) **FIG. 3.4**

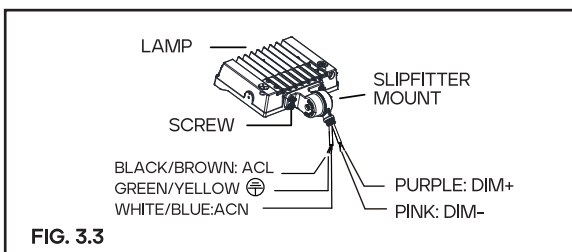


FIG. 3.3

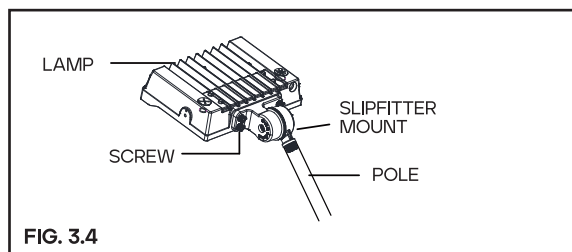


FIG. 3.4

INSTALLATION 4. ADJUSTABLE FITTER MOUNTING AND DIRECT MOUNTING

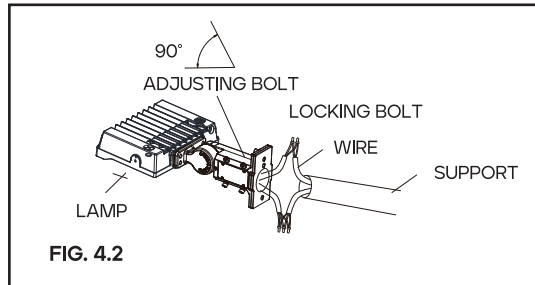
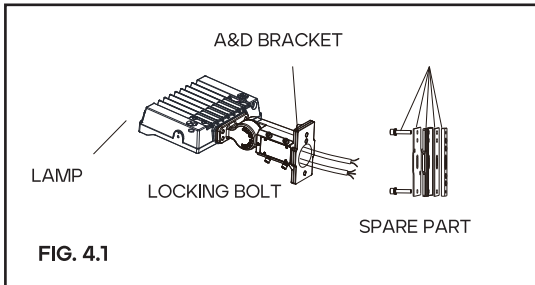
4.1 ADJUSTABLE FITTER MOUNTING (LR40362, LR40372, LR40375)

STEP 1. Remove the spare parts from A&D bracket. **FIG. 4.1**

STEP 2. Loosen the four bolts on A&D bracket, connect the wires correctly, and pull the wires into the poles. **FIG. 4.2**

STEP 3. Place the bracket into the pole and lock the four bolts. **FIG. 4.1**

NOTE: Adjustable angle is 0-90° **FIG. 4.2**



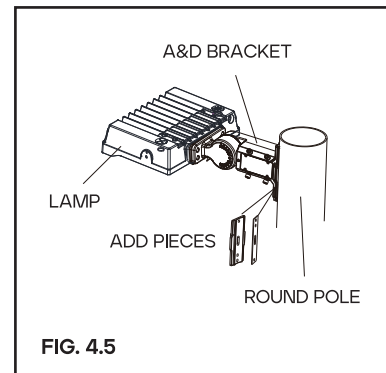
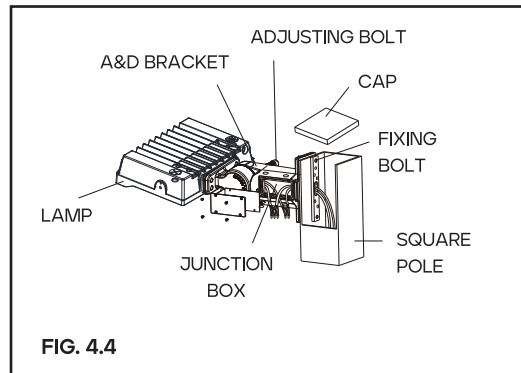
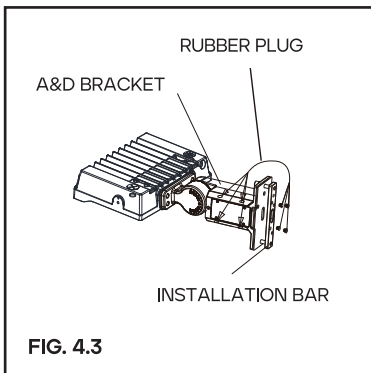
4.2 DIRECT MOUNTING (LR40362, LR40372, LR40375)

STEP 1. Remove the four bolts from A&D bracket, remove the four rubber plugs from installation bar, put the four rubber plugs on the place where the four bolts were previously placed on the bracket for waterproofing purpose. **FIG. 4.3**

STEP 2. Fix A&D bracket to square pole with bolt. open the cover of A&D bracket junction box, pull the wire into bracket junction box, connect the wire properly and cover the junction box. **FIG. 4.4**

NOTE: Adjustable angle is 0-90° **FIG. 4.3**

Same as round pole installation, please remember to use the adapting plate for round pole installation. **FIG. 4.5**



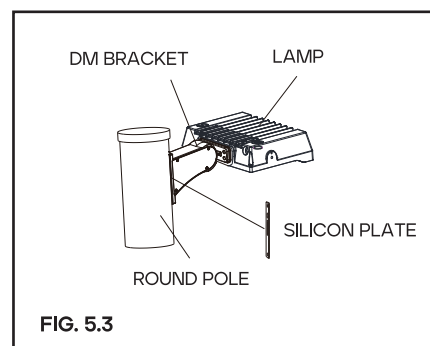
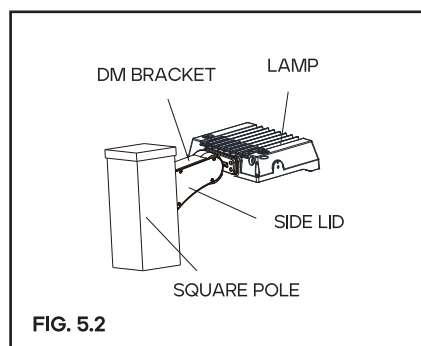
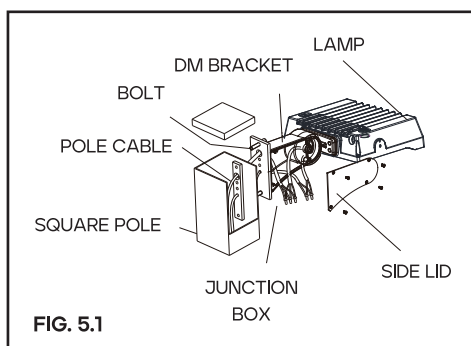
INSTALLATION 5. DIRECT MOUNTING (LR40362, LR40372, LR40375)

STEP 1. Fix DM bracket to square pole with bolt, open to slide lid of DM bracket, pull the wire into junction box, and connect the wire correctly. **FIG. 5.1**

STEP 2. Put the connected wire into the junction box, then cover the junction box. **FIG. 5.2**

NOTE: Adjustable angle is 0-35° **FIG. 5.1**

Same as round pole installation, please remember to remove the silicon plate when installing the fixture in round pole. **FIG.5.3**

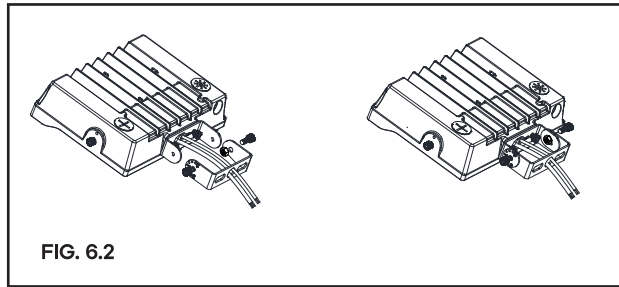
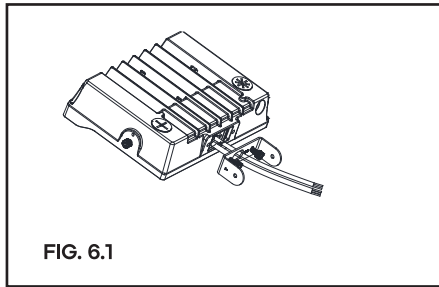


INSTALLATION 6. TRUNNION MOUNT

6.1 INSTALLED WITH TRUNNION MOUNT (LR40260, LR40361, LR40362, LR40370, LR40371, LR40372, LR40375)

STEP 1. Take the fixture out of the package.

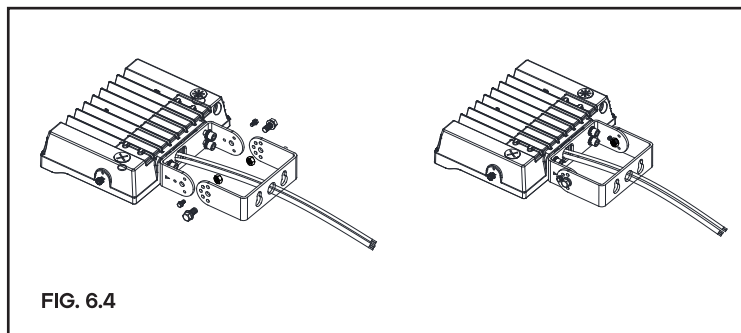
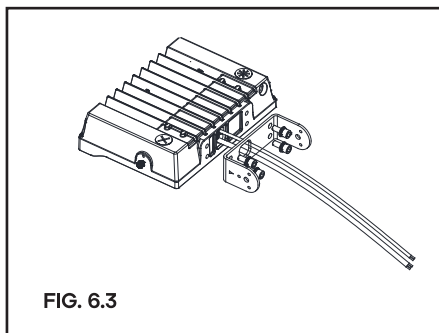
STEP 2. Run the glue wire through the hole in the mounting bracket and secure the fixture and bracket with an inner hexagon screw. (Be careful not to scratch the glue wire). **FIG. 6.1** Tighten the other bracket with screws. **FIG. 6.2**



6.2 INSTALLED WITH TRUNNION MOUNT (LR40362, LR40372, LR40375)

STEP 1. Take the fixture out of the package.

STEP 2. Run the glue wire through the hole in the mounting bracket and secure the fixture and bracket with an inner hexagon screw. (Be careful not to scratch the glue wire). **FIG. 6.3** Tighten the other bracket with screws. **FIG. 6.4**



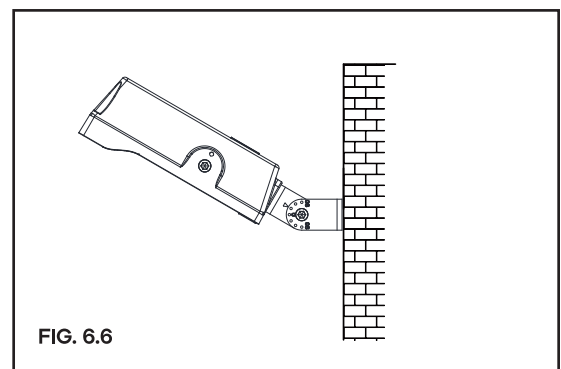
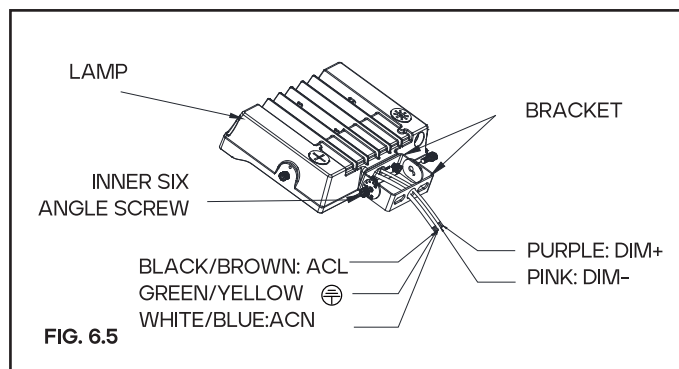
6.3 INSTALLED WITH WHOLE FIXTURE (LR40260, LR40361, LR40362, LR40370, LR40371, LR40372, LR40375)

STEP 1. Take the fixture out of the package.

STEP 2. Finish the wire connection according to the right mode of connection (pay attention to positive wire, negative wire, and ground wire), **FIG. 6.5**

STEP 3. Loosen screws; adjust fixture angles as per actual demands and tighten screws later. **FIG. 6.6**

NOTE: Angle of the fixture is adjustable.



INSTALLATION 7. YOKE MOUNT

7.1 INSTALLED WITH YOKE MOUNT (LR40260, LR40361, LR40362, LR40370, LR40371, LR40372, LR40375)

STEP 1. Take the fixture out of the package. **FIG. 7.1**

STEP 2. Tighten the brackets and screws. **FIG. 7.2**

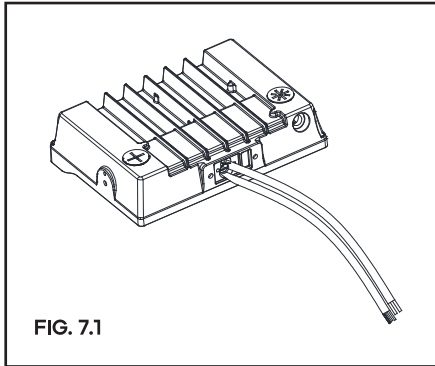


FIG. 7.1

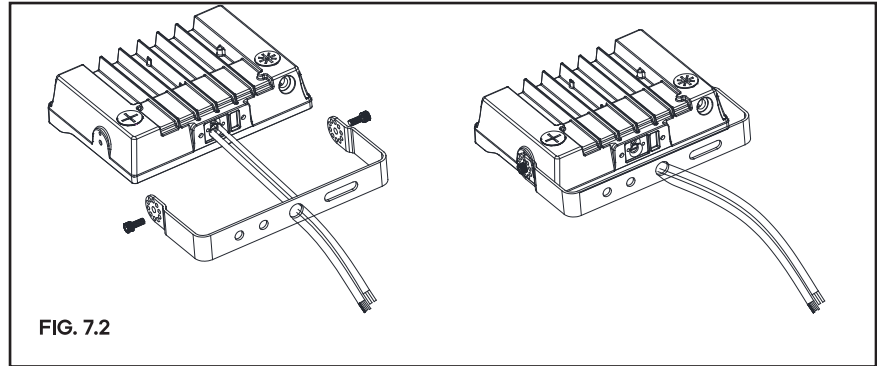


FIG. 7.2

7.2 INSTALLED WITH WHOLE FIXTURE (LR40260, LR40361, LR40362, LR40370, LR40371, LR40372, LR40375)

STEP 1. Take the fixture out of the package.

STEP 2. Finish the wire connection according to the right mode of connection (pay attention to positive wire, negative wire, and ground wire), **FIG. 7.3**

STEP 3. Loosen screws; adjust fixture angles as per actual demands and tighten screws later. **FIG. 7.4**

NOTE: Angle of the fixture is adjustable.

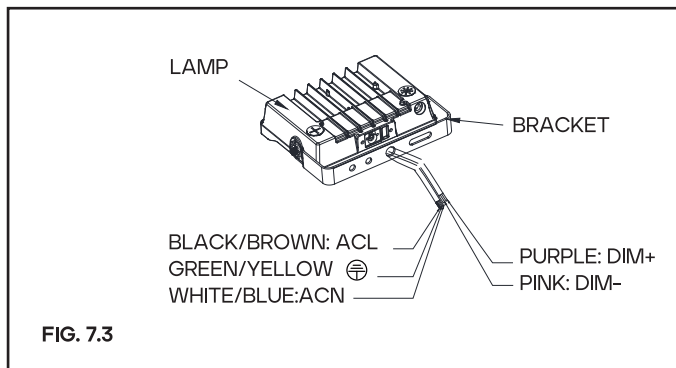


FIG. 7.3

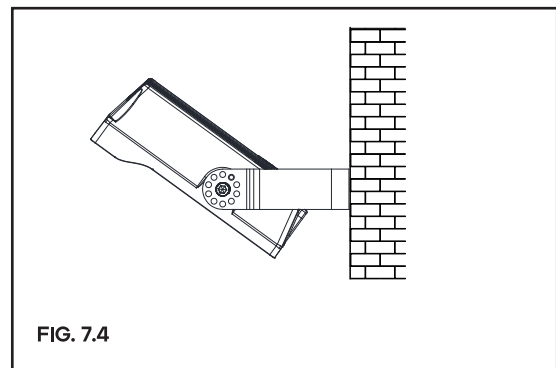


FIG. 7.4

INSTALLATION 8. YOKE MOUNT & SLIPFITTER BRACKET

8.1 INSTALL SLIPFITTER MOUNT THROUGH YOKE MOUNT SUPPORTER (LR40260, LR40361, LR40362, LR40370, LR40371, LR40372, LR40375)

STEP 1. Pass the core wire through the hole of the FM support, and then tighten hexagon socket screw. **FIG. 8.1**

STEP 2. Put the core wire through the waterproof rubber plug, through the bracket fixing seat and match with the waterproof rubber plug. **FIG. 8.2**

STEP 3. Run the core wire through the mounting head of the AM bracket and tighten socket hex screw. **FIG. 8.3**

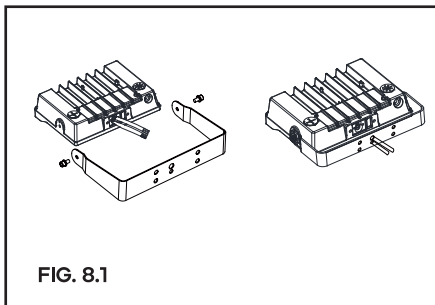


FIG. 8.1

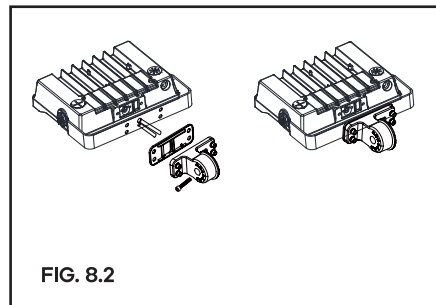


FIG. 8.2

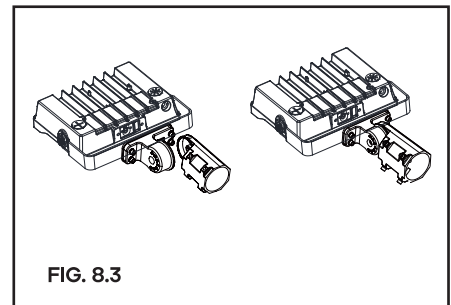


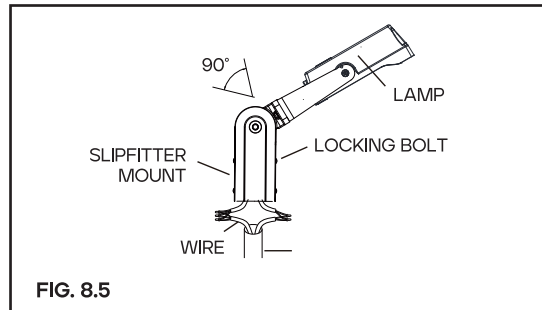
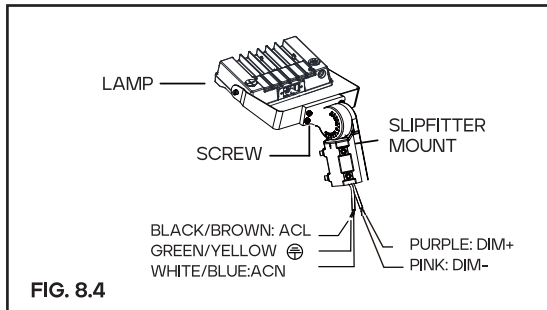
FIG. 8.3

8.2 INSTALLED WITH WHOLE FIXTURE (LR40260, LR40361, LR40362, LR40370, LR40371, LR40372, LR40375)

STEP 1. Take the fixture out of the package.

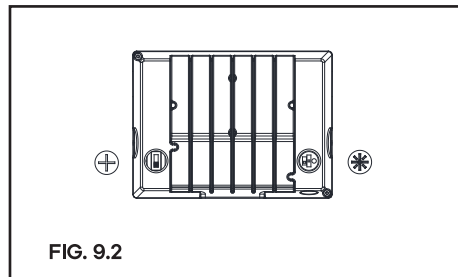
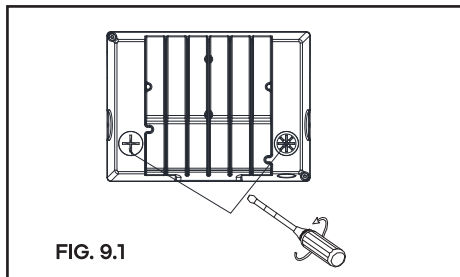
STEP 2. Finish the wire connection according to the right mode of connection (pay attention to positive wire, negative wire, and ground wire), and then put wire into lamp pole. **FIG. 8.4**

STEP 3. Loosen screws; adjust fixture angles as per actual demands and tighten screws later. Angle of the fixture is adjustable (pass the bracket through mounting surface, fix it with screws, then connect the wires as per proper wiring requirements). **FIG. 8.5**

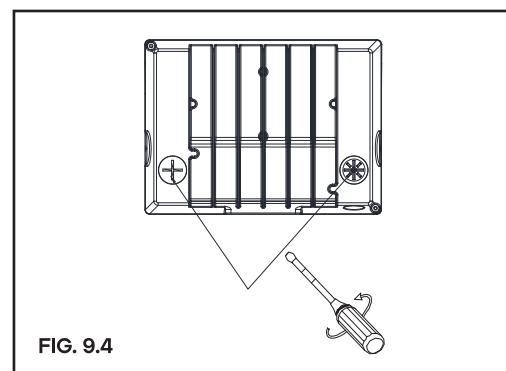
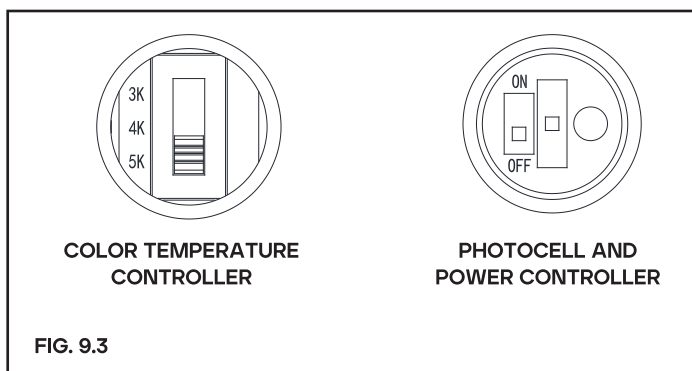


INSTALLATION 9. FUNCTION ADJUSTMENT

STEP 1. Open the metal plug and plastic plug counterclockwise with a screwdriver. **FIG. 9.1**, then slide the switch up and down to adjust the power controller, CCT controller or photocell controller in your demand. **FIG. 9.2**



STEP 2. After adjusting the required control functioning. **FIG. 9.3**, tighten the metal plug and the plastic plug clockwise. **FIG. 9.4**



WARNING: MIN 75° C SUPPLY CONDUCTORS

THIS PRODUCT MUST BE INSTALLED IN ACCORDANCE WITH THE APPLICABLE INSTALLATION CODE BY A PERSON FAMILIAR WITH THE CONSTRUCTION AND OPERATION OF THE PRODUCT AND THE HAZARDS INVOLVED. SUITABLE FOR OPERATION IN AMBIENT NOT EXCEEDING 50°C

LES FILS D'ALIMENTATION 75° C MIN

CE PRODUIT DOIT ÊTRE INSTALLÉ SELON LE CODE D'INSTALLATION PERTINENT, PAR UNE PERSONNE QUI CONNAÎT BIEN LE PRODUIT ET SON FONCTIONNEMENT AINSI QUE LES RISQUES INHÉRENTS PEUT ÊTRE UTILISÉ A UNE TEMPÉRATURE AMBIANTE N'EXCÉDANT PAS 50°C