

P/N: X

Constant Voltage Magnetic Phase Dimmable AC Transformer | Multi-Tap

The X-SERIES is a multi-tap magnetic dimmable transformer making it the perfect choice for landscape and other indoor or outdoor lighting applications. Encased in a high-quality metal enclosure that includes multiple 3/8" knock-outs for easy installation, each unit is equipped with push-to-reset breakers, one on each output, to protect both the driver and the load. All of our magnetic transformers are phase dimmable with a standard leading edge MLV TRIAC dimmer.

Installation: Integrated Junction Box with Multiple 3/8" Knock-outs

Driver Type: Multi-Tap

Dimming: Phase Dimmable with Leading (Forward) Edge MLV TRIAC Dimmer Only

Input Voltage: 120VAC 50/60Hz; 277VAC available

Output Voltage: 12VAC / 24VAC

Environmental: Dry and Damp

Listing: ETL Listed

Certifications: Conforms to UL8750, C22.2 NO. 223

Warranty: 5-Year Warranty



120VAC

12 / 24VAC



Ordering Guide Example: X500

X SOD

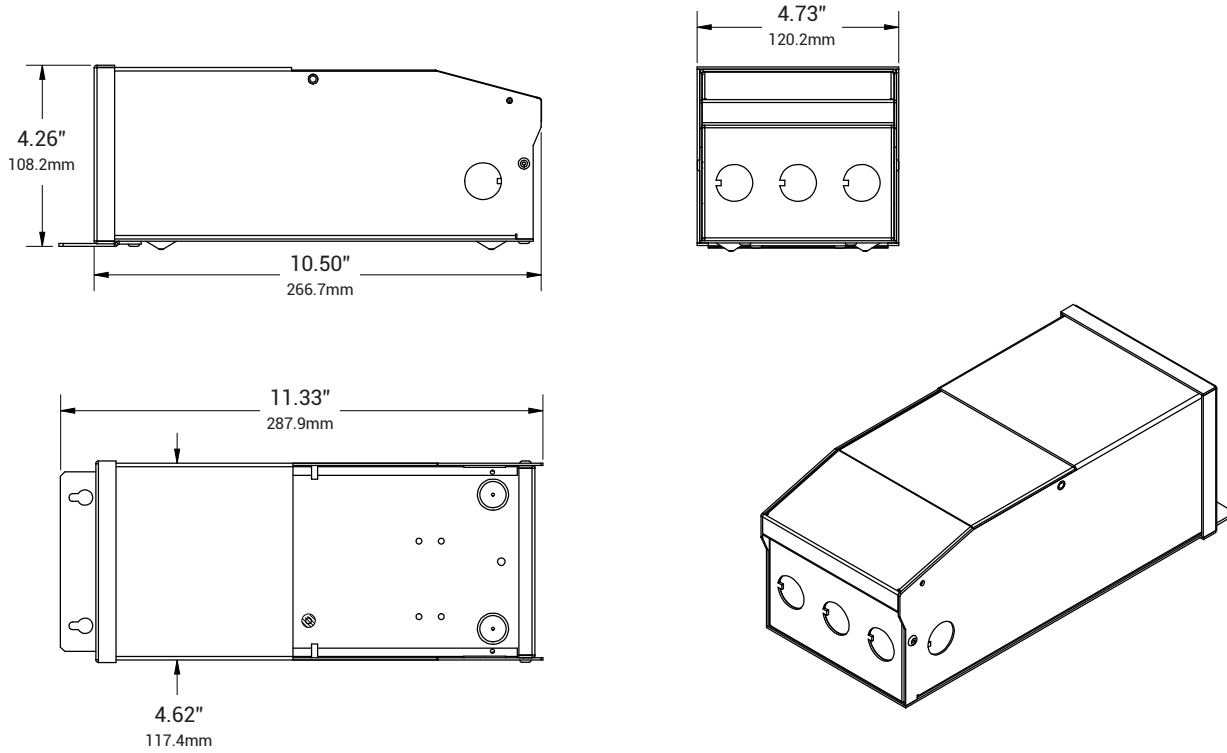
TYPE	MAX POWER
X – X-SERIES	500 – 500W
	600 – 600W
	1000 – 1000W
	1200 – 1200W

DIMENSIONS	600W	1200W
LENGTH	9.43" (239.52mm)	10.60" (269.24mm)
WIDTH	4.69" (119.13mm)	6.75" (171.45mm)
HEIGHT	4.25" (107.95mm)	5.44" (138.18mm)

Specifications

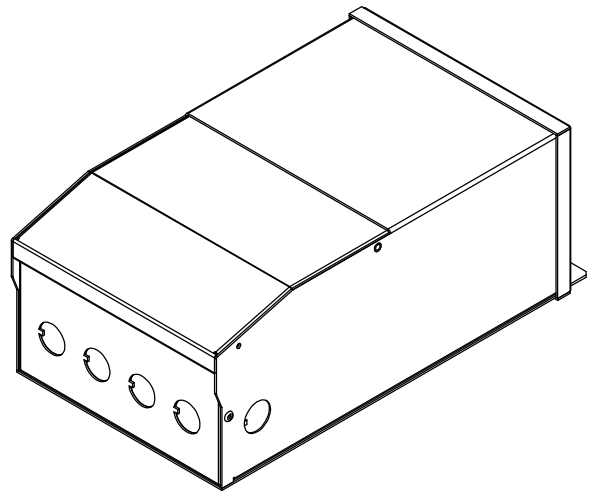
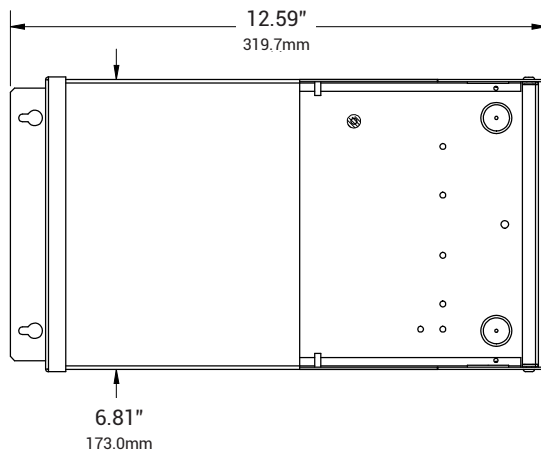
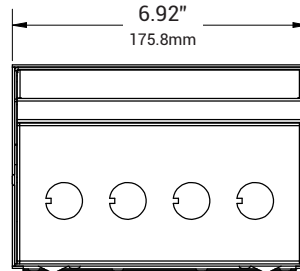
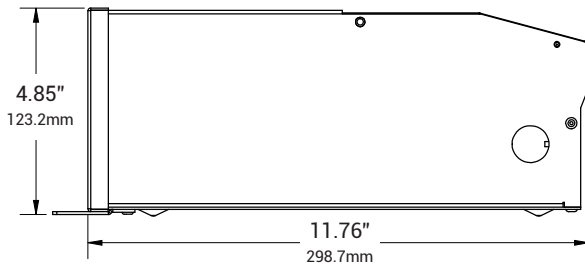
INPUT				
Input Voltage Range	120VAC ± 10%	120VAC ± 10%	120VAC ± 10%	120VAC ± 10%
Input Frequency	50 / 60Hz	50 / 60Hz	50 / 60Hz	50 / 60Hz
Input Current	4.20A	5.10A	8.30A	10.20A
Efficiency	> 93%	> 93%	> 93%	> 93%
OUTPUT				
Max Load	2 x 250W (12VAC) 1 x 500W (24VAC)	2 x 300W (12VAC) 1 x 600W (24VAC)	4 x 250W (12VAC) 2 x 500W (24VAC)	4 x 300W (12VAC) 2 x 600W (24VAC)
Output Voltage @ Max Load	12 VAC / 24 VAC	12 VAC / 24 VAC	12 VAC / 24 VAC	12 VAC / 24 VAC
Output Current @ Max Load	42A (12VAC) / 21A (24VAC)	50A (12VAC) / 25A (24VAC)	83A (12VAC) / 41A (24VAC)	50A (12VAC) / 100A (24VAC)
Open Circuit Output Voltage	13.0 VAC / 26.0 VAC	13.0 VAC / 26.0 VAC	13.0 VAC / 26.0 VAC	13.0 VAC / 26.0 VAC
ENVIRONMENTAL				
Operating Temperature	-30°C - +50°C (-22°F - 122°F)			
Min. Installation Spacing	5"			
Thermal Class	B130°C			
DIMMING				
Minimum Dimming Level	?			
PROTECTION				
Circuit Breaker	Secondary push-to-reset			
MECHANICAL HOUSING				
Primary Leads	PVC 600V #18	PVC 600V #18	PVC 600V #18	PVC 600V #18
Secondary Leads	PVC 300V #12	PVC 300V #12	PVC 300V #12	PVC 300V #12
Length	9.43" (239.52mm)	9.43" (239.52mm)	10.60" (269.24mm)	10.60" (269.24mm)
Width	4.69" (119.12mm)	4.69" (119.12mm)	6.75" (171.45mm)	6.75" (171.45mm)
Height	4.25" (107.95mm)	4.25" (107.95mm)	5.44" (138.17mm)	5.44" (138.17mm)
Weight	15 lbs	16 lbs	30 lbs	30 lbs
Housing Material	Coated Metal	Coated Metal	Coated Metal	Coated Metal
Housing Color	Black	Black	Black	Black
Junction Box	Yes	Yes	Yes	Yes
Mounting	Two hole flange mount	Two hole flange mount	Two hole flange mount	Two hole flange mount
APPROVAL MARKINGS				
Certificates / Approval Signs	ETL Listed, conforms to UL8750, C22.2 NO. 223			

Mechanical Diagram
500W / 600W

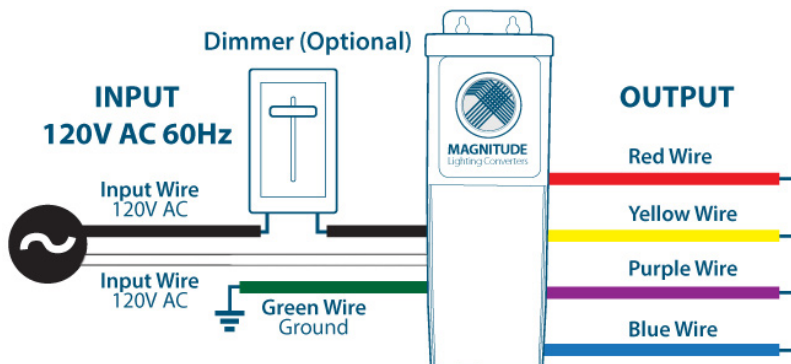


Mechanical Diagram

1000W /1200W



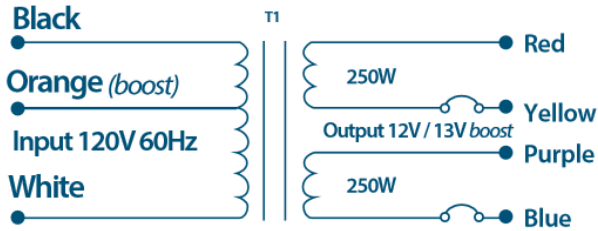
Wiring Diagram



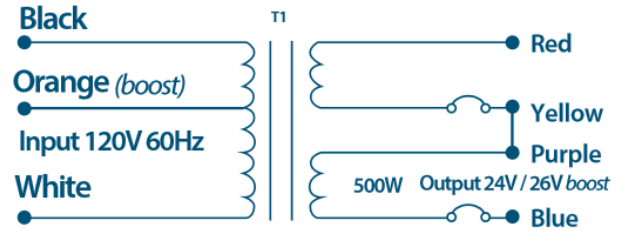
Two tap example shown for dimmer connection

X500SOD

12VAC 250W x 2 Schematic

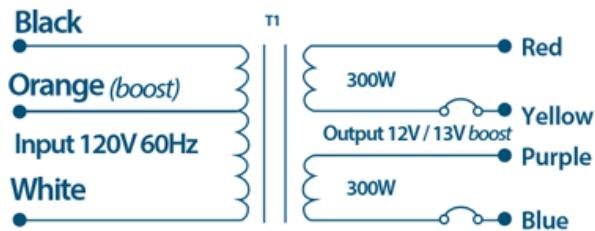


24VAC 500W Schematic

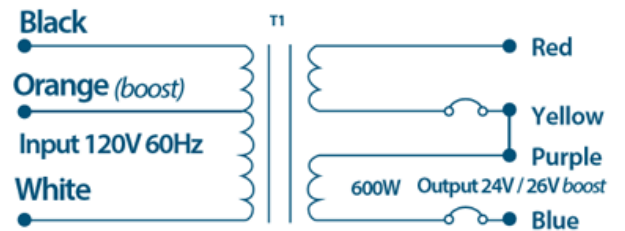


X600SOD

12VAC 300W x 2 Schematic

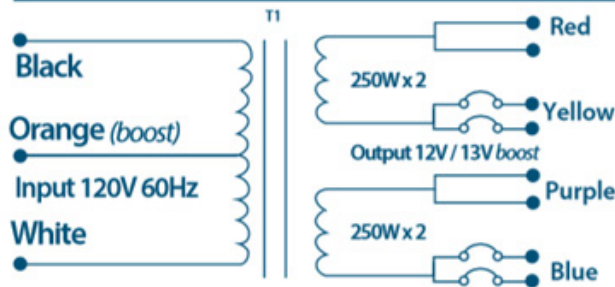


24VAC 600W Schematic

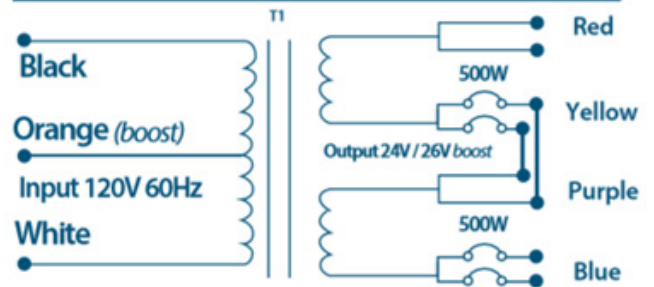


X1000SOD

12VAC 250W x 4 Schematic

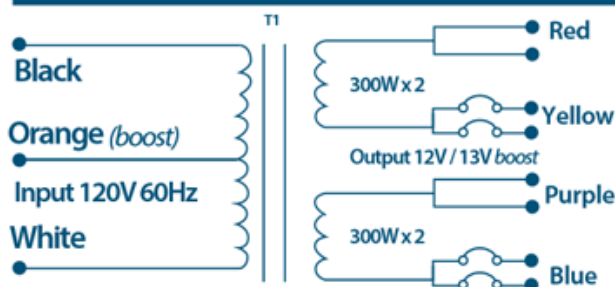


24VAC 500W x 2 Schematic



X1200SOD

12VAC 300W x 4 Schematic



24VAC 600W x 2 Schematic

