

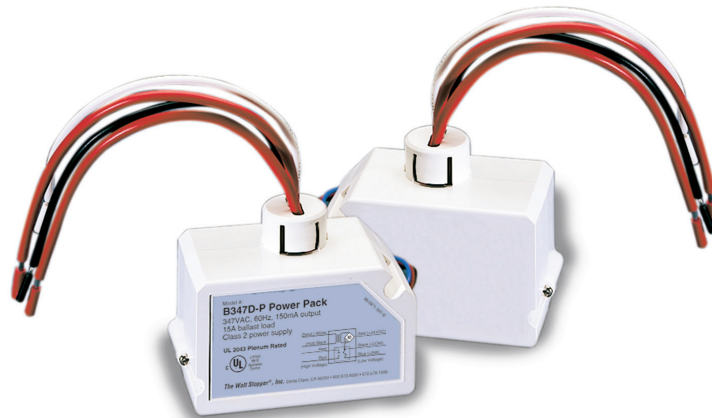
# POWER PACKS AND AUXILIARY RELAY PACKS

B230E-P, B347D-P, S120/277/347E-P

Fully self-contained transformer and relay

Zero Crossing for reliability and increased product life

UL 2043 Plenum Rated



Snaps in for easy installation

Can be used with Wattstopper low voltage occupancy sensors

## DESCRIPTION

Power packs provide 24VDC operating voltage to all Wattstopper 24VDC occupancy sensors and photocells. Auxiliary relay packs are similar to power packs but have no transformer power supply, only an isolated relay.

## OPERATION

Power packs consist of a transformer and high current relay combined in one small, powerful package. The transformer has a primary high voltage input and a secondary, low voltage output (24 VDC, 114 mA with relay connected). The secondary voltage provides operating power to Wattstopper sensors. When the occupancy sensors detect motion or light sensors detect inadequate ambient light, they electrically close an internal circuit which sends 24 VDC back to the power or auxiliary relay packs that control the connected line voltage devices.

## PLENUM RATED

The B power packs are UL 2043 plenum rated with teflon coated low voltage leads and plenum rated plastic. This means that the power packs do not need to be installed in the junction box, but can be installed in the plenum. They are housed in ABS, UL-rated 94V-0 plastic enclosures.

## APPLICATIONS

Wattstopper power and auxiliary relay packs are designed to be flexible enough to control almost any lighting or HVAC load. For example, power packs can control lighting circuits, self-contained air conditioners, pumps, fans, motors, VAV systems, motorized damper controls and setback thermostats. They are appropriate for any application which requires high voltage switching through low voltage controls. By linking power packs and sensors, an almost unlimited number of configurations can be obtained.

## FEATURES

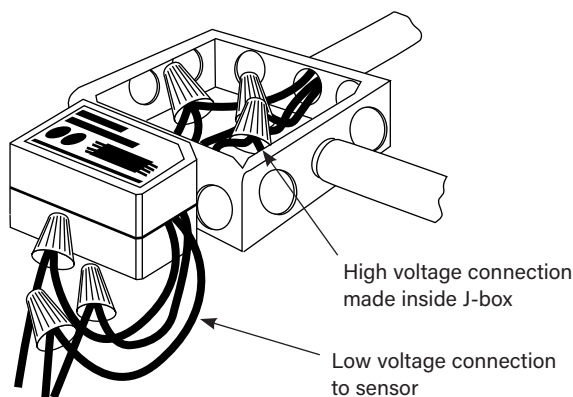
- Self-contained transformer relay system
- Capable of switching up to 20 Amps of electrical load (ballast)
- Low voltage leads are teflon coated for use in plenum applications
- Installation in J-box not required
- 1/2 inch snap-in nipple attaches to standard electrical enclosures via 1/2 inch knockouts

PROJECT		LOCATION/ TYPE	
---------	--	-------------------	--

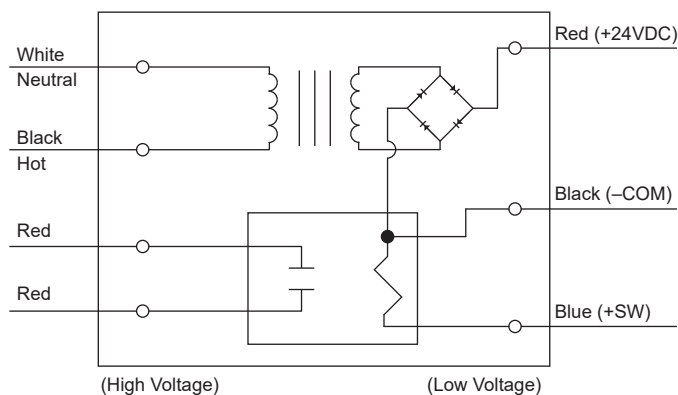
## SPECIFICATIONS

- Power Packs: Secondary voltage of 24 VDC
- Power Packs: Secondary output of 150 mA, 114 mA with relay connected
- Low voltage leads are rated for 300 volts
- UL-rated 94V-0 plastic enclosure
- UL 2043 plenum rated
- Dimensions: 1.6" x 2.75" x 1.6" (41mm x 70mm x 41mm) with a 1/2 inch snap-in nipple
- UL and CUL listed
- Five year warranty

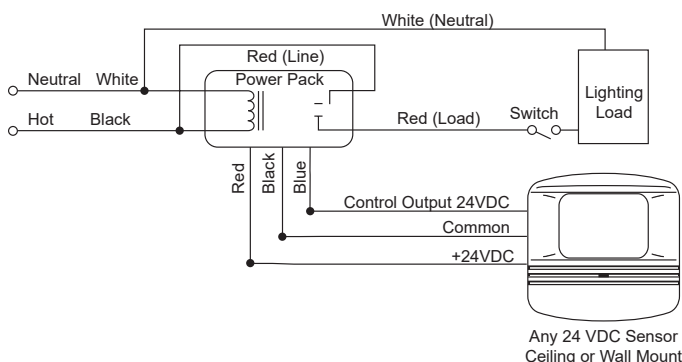
## POWER PACK INSTALLATION



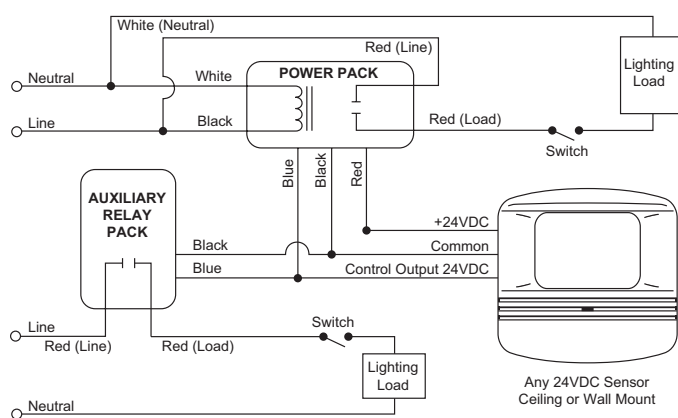
## POWER PACK SCHEMATIC



## POWER PACK WITH CEILING SENSOR



## AUXILIARY RELAY PACK WITH SENSOR



All Watt Stopper power packs should be installed in accordance with state, local, and national electrical codes and requirements.

Power packs are designed to attach to existing or new electrical enclosures with 1/2 inch knockouts. (Check electrical codes in your area.)

Most applications require UL listed, 18-22 AWG, 3-conductor, Class 2 cable for low voltage wiring. For plenum return ceilings use UL listed plenum-approved cables.

## ORDERING INFORMATION

Catalog #	Description	Input Voltage	Ballast (A)	Incan (A)	Motor (HP)	Output
<input type="checkbox"/> B230E-P*	Power Pack	220-240 VAC; 50-60 Hz	20	13	1	24 VDC; 150 mA**
<input type="checkbox"/> B347D-P	Power Pack	347 VAC; 60 Hz	15	-	-	24 VDC; 150 mA**
<input type="checkbox"/> S120/277/34E-P	Relay Pack	120/277/347 VAC; 60 Hz	20/20/15	13/-/-	1/-/-	

\* B230E-P features zero crossing

\*\*Output is 150 mA before relay is connected and 114 mA after relay is connected.

Power packs are white; auxiliary relay packs are black.

31589r2 Rev 02/2022