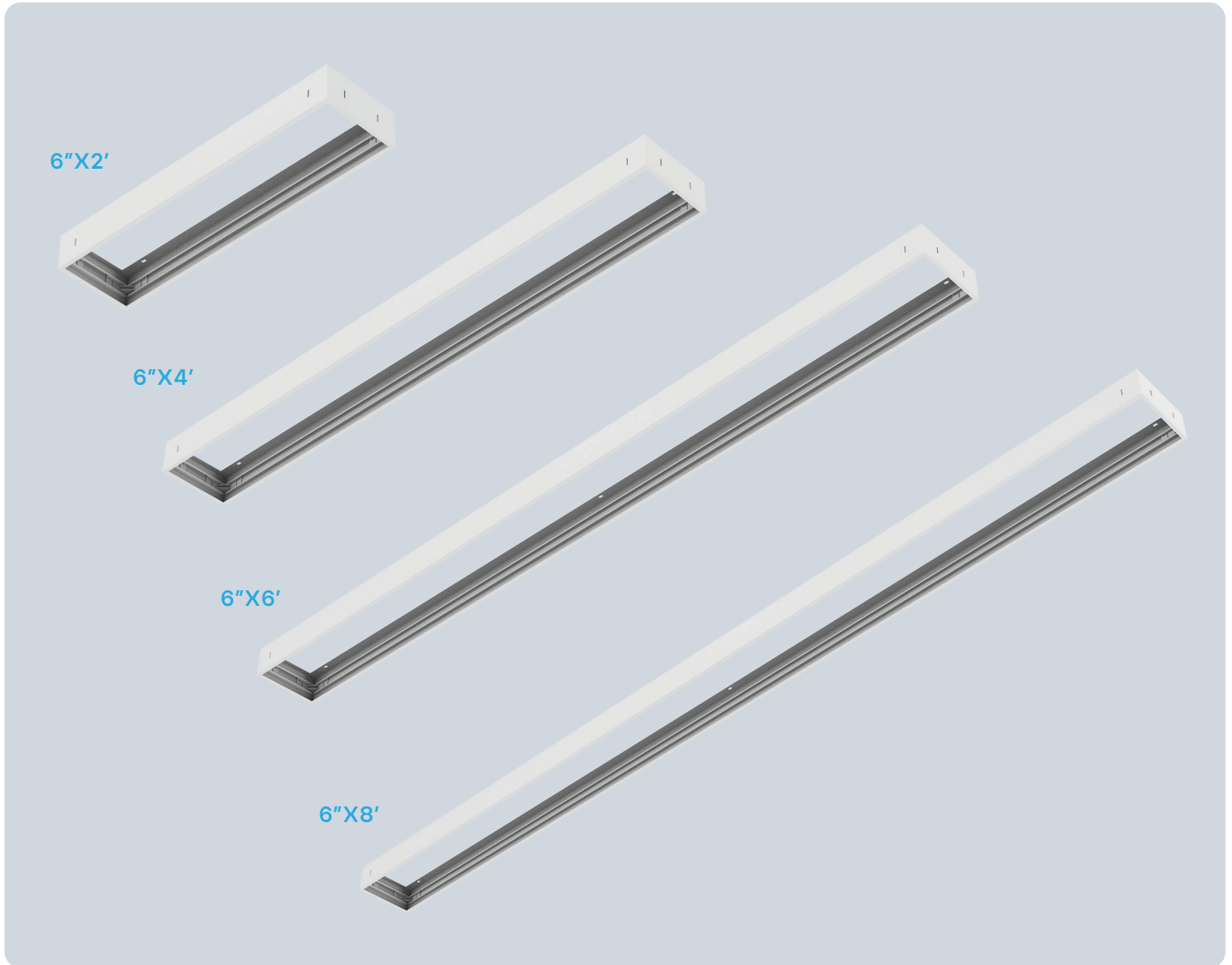


## 6" SURFACE KIT

LR24276, LR24277, LR24278, LR24279

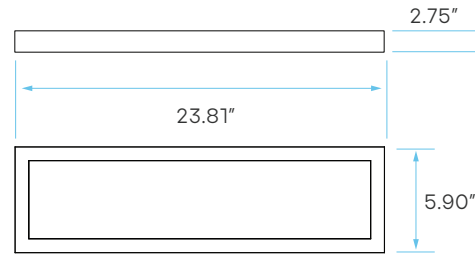
6"X2', 6"X4', 6"X6', 6"X8',



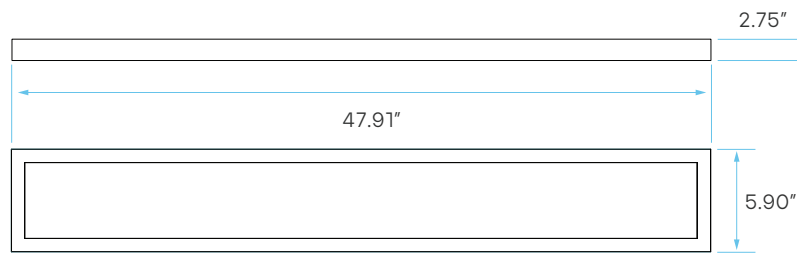
### SPECIFICATIONS

	MODEL	DESCRIPTION	SHAPE	FINISH
6"X2'	LR24276	LED6"X2BPNL/SURFACE/KIT	6"X2' SURFACE KIT	WHITE
6"X4'	LR24277	LED6"X4BPNL/SURFACE/KIT	6"X2' SURFACE KIT	WHITE
6"X6'	LR24278	LED6"X6BPNL/SURFACE/KIT	6"X2' SURFACE KIT	WHITE
6"X8'	LR24279	LED6"X8BPNL/SURFACE/KIT	6"X2' SURFACE KIT	WHITE

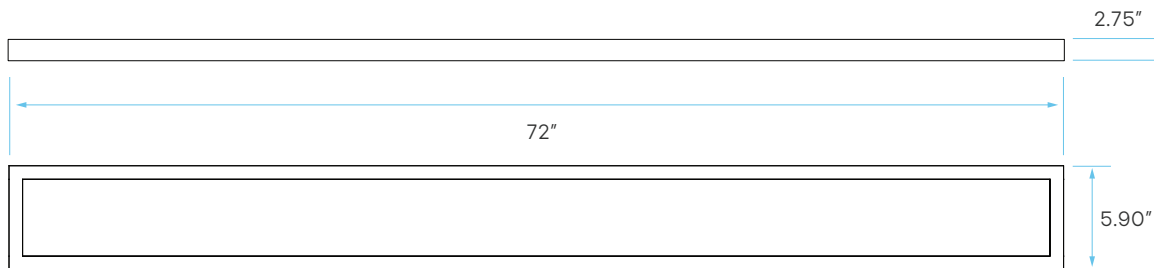
## DIMENSIONS



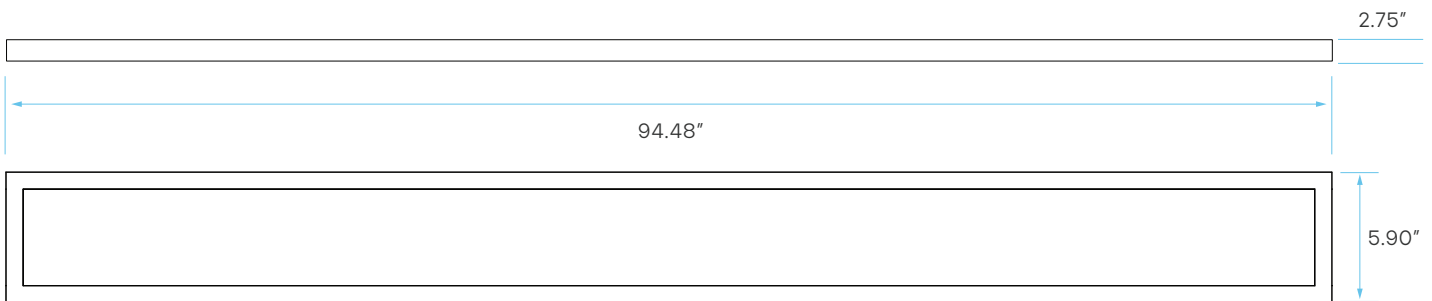
6"X2'



6"X4'



6"X6'



6"X8'