

# SYLVANIA Luminaires

## ValueLED™ Emergency Lights

### Application

The brightly lit SYLVANIA ValueLED Emergency Lights are slim, low profile emergency lighting solutions that provide a crisp, clean look and the excellent energy-saving benefits of LED technology. These LED emergency lights are ideal for buildings, offices and a broad range of commercial facilities.

### Benefits and Features

- Slim profile, lightweight, easy to install emergency light that replaces traditional incandescent
- Bright, energy-efficient LEDs provide energy savings up to 91%
- Surface mounting
- 6500K color temperature
- CRI >80
- Offered in 2.2 watts
- Energy savings up to 91%

### Electrical

- 120/277V<sub>AC</sub>
- Power Factor >90%
- THD <20%

### Rated Life

- 50,000 hours (L<sub>70</sub>)

### Warranty

- 5-year

### Ambient Operating Range

- 32°F to +104°F (0°C to +40°C)

### Certifications and Listings

- cULus (UL 924 & CAN/CSA C22.2 No 141-10)
- RoHS
- FCC
- Damp location rated
- Certified in the CA Title 20 Appliance Efficiency Database for Small Battery Chargers

### Installation

- Universal J Box mounting pattern

|         |
|---------|
| Item #  |
| Type    |
| Project |
| Notes   |
|         |
| Date    |



### Wattage Comparison

| Traditional Source | LED System Wattage | Energy Savings |
|--------------------|--------------------|----------------|
| 2 x 24W halogen    | 2 x 1.1W           | 91%            |



## Ordering Guide

### Emergency Lights

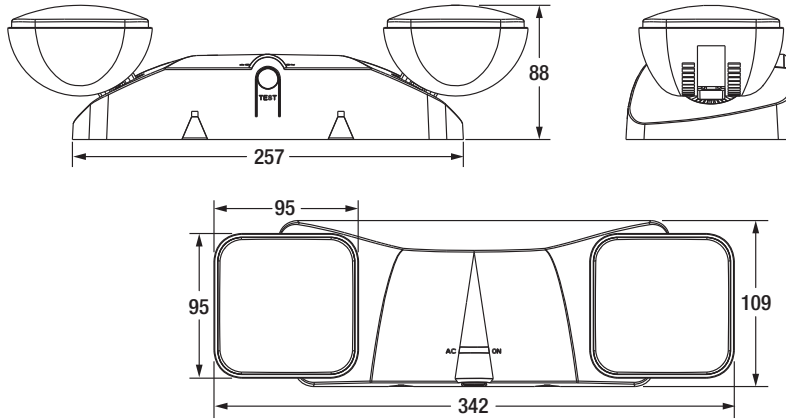
| EMLIGHT         | 1X         | / | 3           | DV                             | TH             | X                                 | / | S                       | / | WH         |
|-----------------|------------|---|-------------|--------------------------------|----------------|-----------------------------------|---|-------------------------|---|------------|
| Product Name    | Generation |   | Wattage     | Voltage                        | Luminaire Type | Head Shape                        |   | Mounting                |   | Color      |
| EMLIGHT =       | 1A         |   | 3 = 3 Watts | DV = Dual Voltage<br>(120/277) | TH = Twin Head | S = Square head<br>R = Round head |   | S = Surface<br>Mounting |   | WH = White |
| Emergency Light | 1B         |   |             |                                |                |                                   |   |                         |   |            |

## Ordering Information

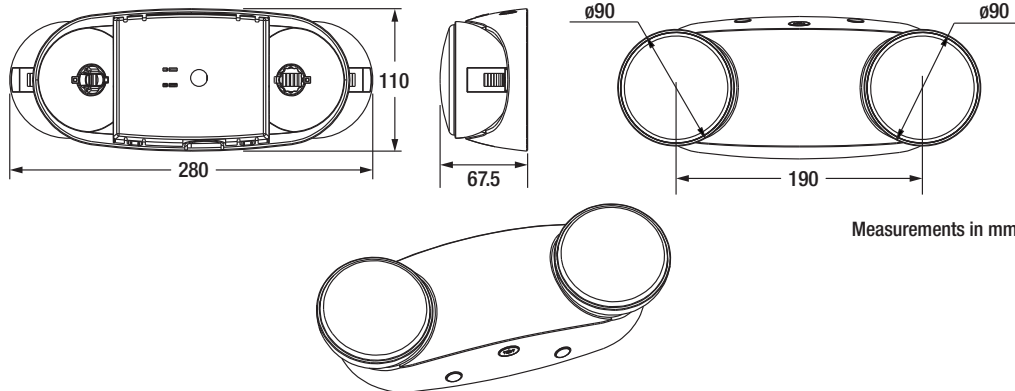
| Item Number | Ordering Abbreviation | Power (W) | Input Voltage | Total Fixture Lumens | CRI | CCT   | Lamp Shape | Options           |
|-------------|-----------------------|-----------|---------------|----------------------|-----|-------|------------|-------------------|
| 60763       | EMLIGHT1A/3DVTHS/S/WH | 2         | 120/277       | 200                  | 80  | 6500K | Square     | Emergency Back-up |
| 60764       | EMLIGHT1B/3DVTNR/S/WH | 2         | 120/277       | 220                  | 80  | 6500K | Round      | Emergency Back-up |

## Physical Information

### EMLIGHT1A



### EMLIGHT1B



Measurements in mm.

## Additional Specifications

- Built-in 1.2V 1000mAh Nickel cadmium battery for minimum 90 minutes emergency operation
- Maximum 24 hours for full recharge time
- Test switch and charge indicator

LEDVANCE LLC  
 200 Ballardvale Street  
 Wilmington, MA 01887 USA  
 Phone 1-800-LIGHTBULB (1-800-544-4828)  
 www.sylvania.com

SYLVANIA and LEDVANCE are registered trademarks.  
 All other trademarks are those of their respective owners.  
 Licensee of product trademark SYLVANIA in general lighting.  
 Specifications subject to change without notice.

[/sylvania](#) [/sylvania](#)

Name: \_\_\_\_\_  
 Email: \_\_\_\_\_  
 Phone: \_\_\_\_\_

