

JBZN-SERIES | E-SERIES

Constant Voltage Electronic LED Driver

Phase-Cut | Zone Multi-Channel Dimming

Specification Sheet

The JUNCTION BOX ZONE (JBZN) SERIES delivers a multi-channel, specification grade solution for Class 2 Magnitude electronic LED drivers making it the perfect product for multi-output residential and commercial lighting applications. Available in surface or recessed mount, the high-quality metal junction box includes multiple 1¹/₈" knock-outs and comes pre-wired for quick and easy installation. The JBZN-SERIES is constructed with a high voltage compartment and utilizes DIN rail terminal blocks to support independent channel outputs.



2 to 3 Channels



4 to 8 Channels

The JBZN | E-SERIES is available in 2 to 8 channel configurations. The E-SERIES is an electronic Class 2 dimmable LED driver that features auto reset, over current and short circuit protection as well as an efficiency over 90% resulting in low operating case temperature. The driver is phase dimmable down to 1% with leading edge TRIAC dimmers.

Installation: Integrated junction box with multiple 1¹/₈" knockouts

Driver Type: Class 2 multi-channel

Dimming: Phase-cut dimmable down to 1% with leading edge TRIAC dimmer

Channel Dimming: Individual zone dimming across all channels

Input Voltage: Universal 120VAC, 50/60Hz

Output Voltage: 12 VDC or 24 VDC

Environmental: Dry

Listing: UL Listed

Certifications: UL2108 CSA C22.2 No. 250.0-08

Warranty: 5 year

120VAC 12 / 24VDC

CLASS 2 SELV TYPE HL



E-SERIES is also available in:

- E-SERIES UL with Junction Boxes
- E-SERIES UL without Junction Boxes
- EZJ E-SERIES

Please refer to www.magnitudeinc.com for more details.

ORDERING GUIDE

Type	No. of Channels	Driver Series	Dimming Type	Max Power Per Channel	Driver Type	Output	Mounting	Finish
JBZN — JB Zone	2 — 2 channel	E — E-Series	MLV-ELV Phase	60 — 60W	R — Recognized	12 — 12VDC	R — Recessed	W — White
	3 — 3 channel			96 — 96W		24 — 24VDC	S — Surface	
	4 — 4 channel							
	5 — 5 channel							
	6 — 6 channel							
	7 — 7 channel							
	8 — 8 channel							

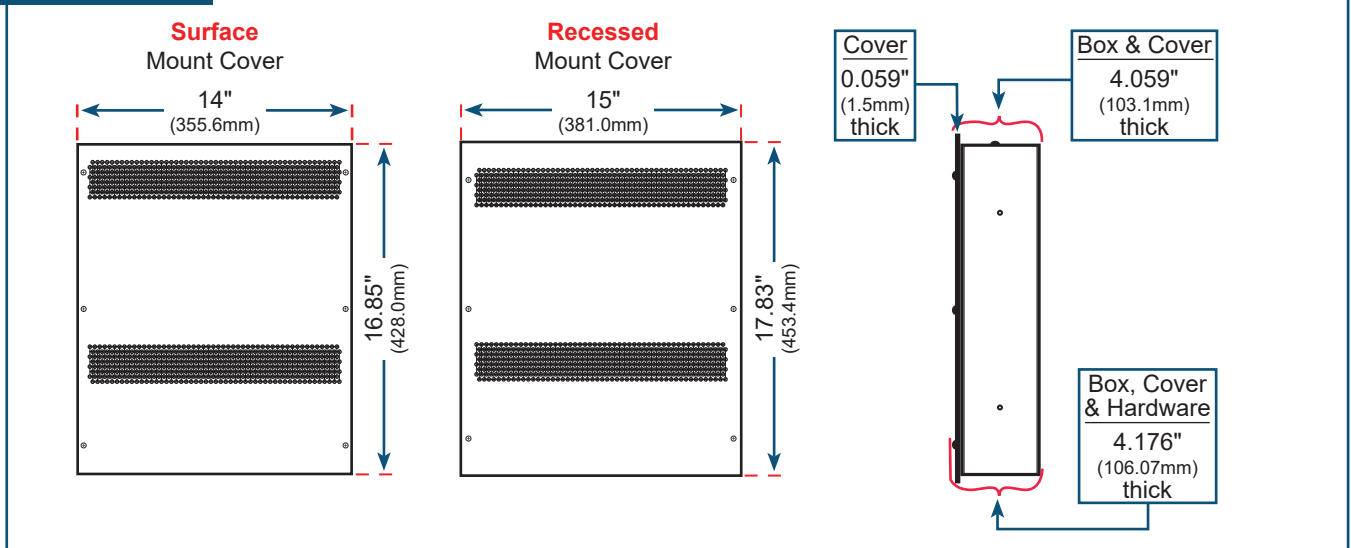
SPECIFICATIONS		
MAX LOAD	60W	96W
INPUT		
Input Voltage Range	120VAC ± 10%	120VAC ± 10%
Input Frequency	50 / 60Hz	50 / 60Hz
Input Current	0.61A Max per Channel	0.85A Max per Channel
Efficiency	>90% Max	>90% Max
Power Factor	0.95	0.91
Input Terminal Wire Gauge Range	12 to 26 gauge	12 to 26 gauge
OUTPUT (Per Channel)		
Max Load	60W	96W
Output Voltage @ Max Load	12.0 VDC	24.0 VDC
Output Current @ Max Load	4.2A	4.1A
Output Terminal Wire Gauge Range	12 to 26 gauge	12 to 26 gauge
ENVIRONMENTAL		
Operating Temperature	-30°C to +50°C (-22°F to 122°F)	-30°C to +50°C (-22°F to 122°F)
DIMMING		
Minimum Dimming Level	1%	1%
PROTECTION		
Circuit Breaker	Over Voltage Auto-Reset Short Circuit	Over Voltage Auto-Reset Short Circuit
APPROVAL MARKINGS		
Certificates / Approval Signs	UL2108	UL2108

	2 to 3 Channels	
	Surface Mount	Recessed Mount
Length	16.85" (427.99mm)	17.83" (453.0mm)
Width	14" (355.6mm)	15" (381.0mm)
Depth	4.17" (106.0mm)	4.17" (106.0mm)

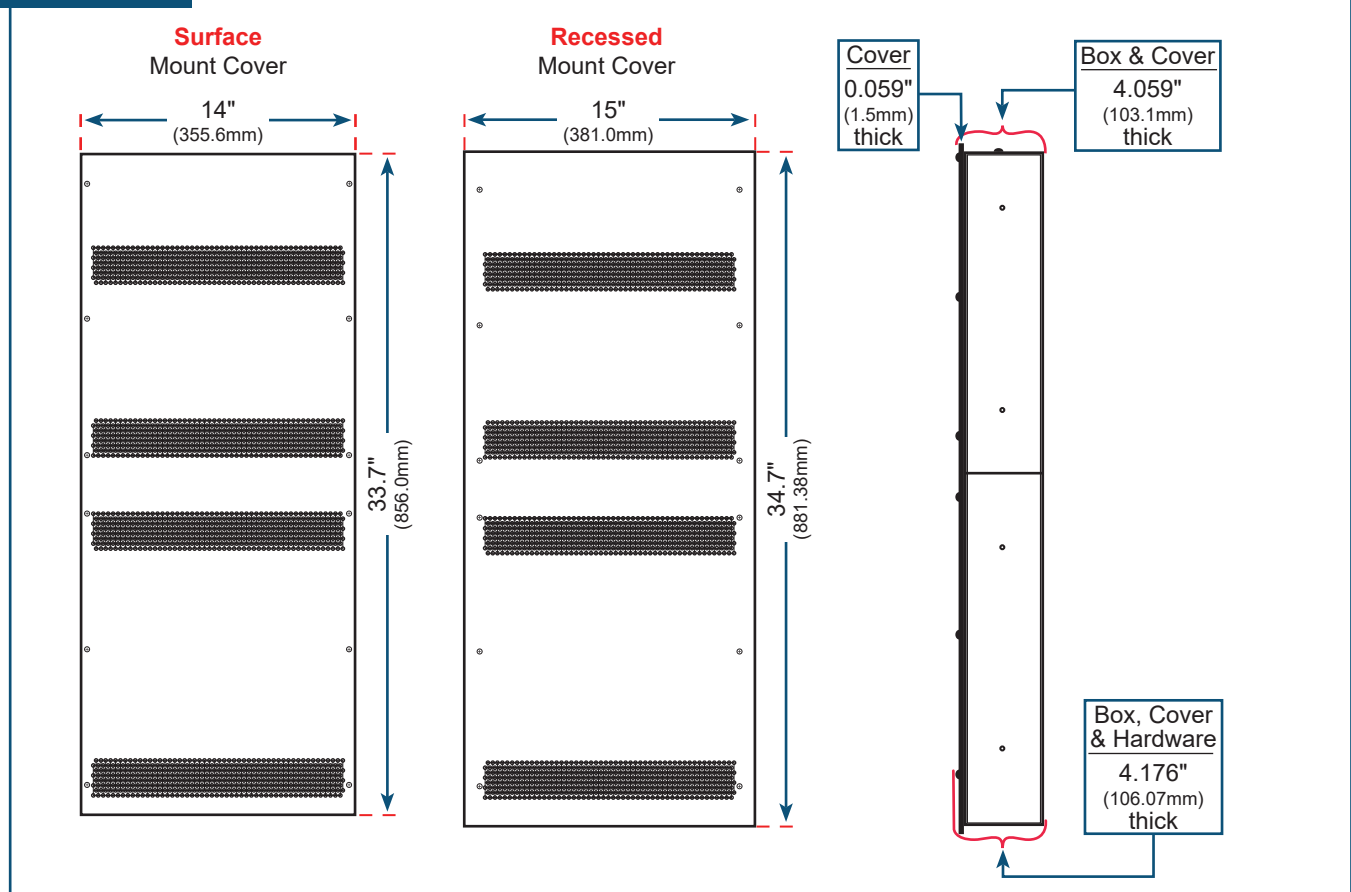
	4 to 8 Channels	
	Surface Mount	Recessed Mount
Length	33.70" (855.98mm)	34.70" (881.0mm)
Width	14" (355.6mm)	15" (381.0mm)
Depth	4.17" (106.0mm)	4.17" (106.0mm)

MECHANICAL DIAGRAMS

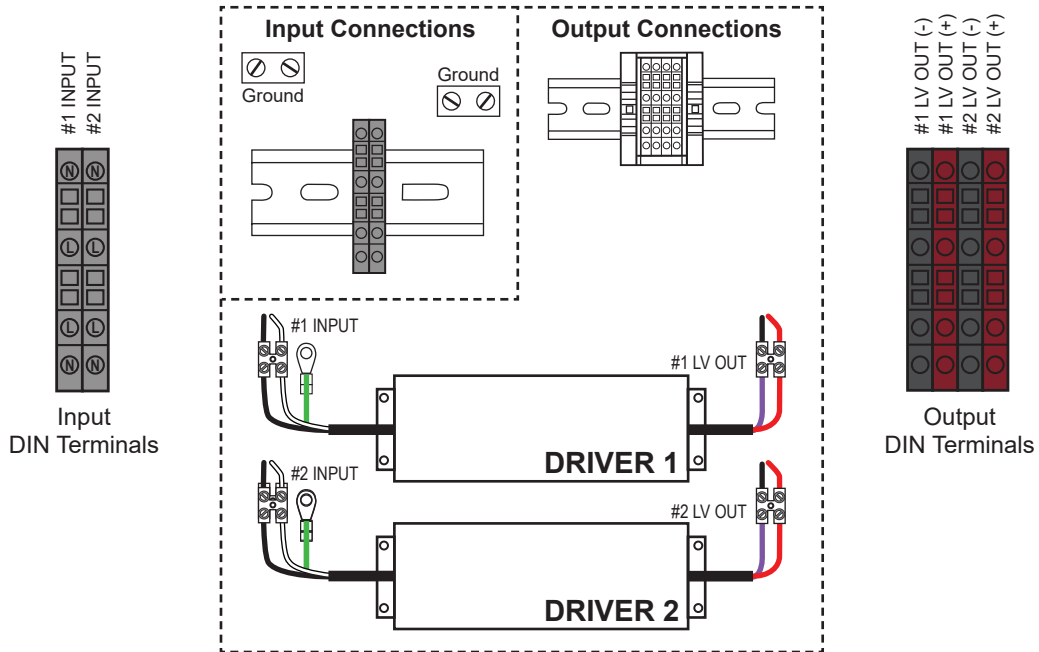
2 to 3 Channels



4 to 8 Channels



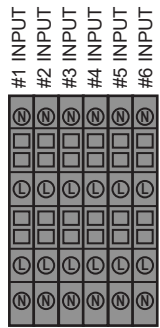
WIRING DIAGRAM | 2 TO 3 CHANNELS



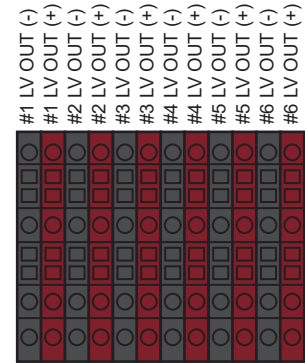
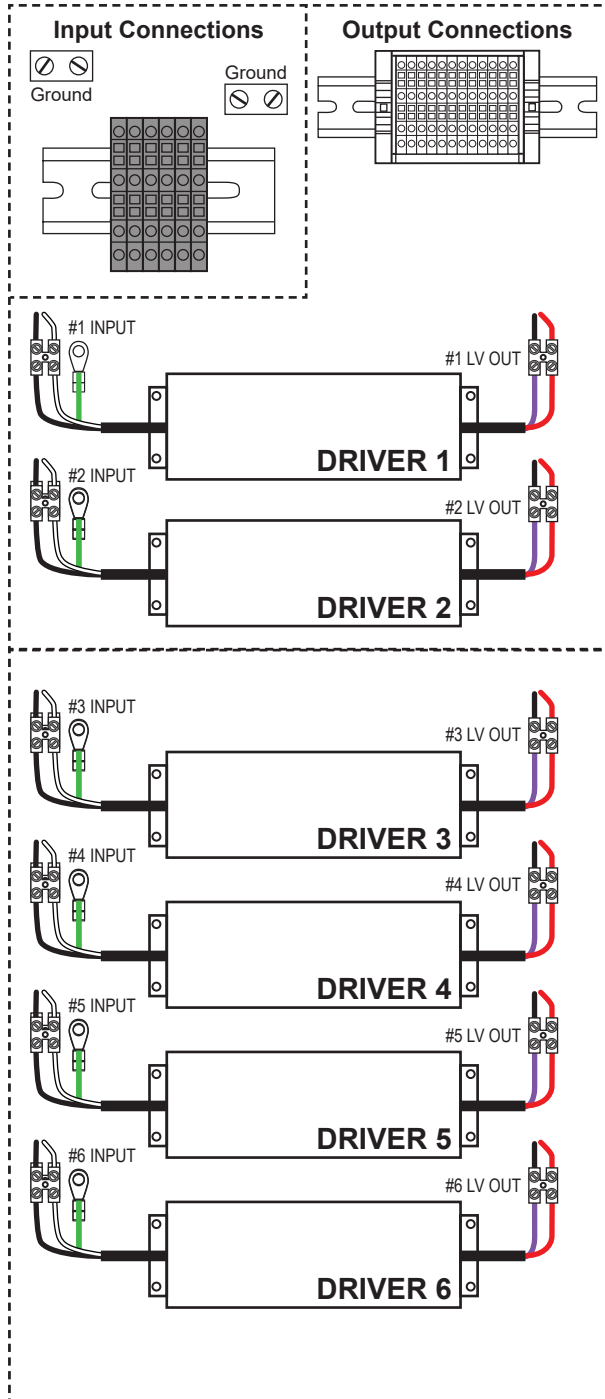
NOTES

- Wiring diagram is typical for 3 channel version
- Input and output terminal blocks accept 12 to 26 gauge wire
- Output connections from driver for 12 volt is **blue** and 24 volt is **purple**

WIRING DIAGRAM | 4 TO 8 CHANNELS



Input
DIN Terminals



Output DIN Terminals

- NOTES**
- Wiring diagram for 6 channel shown, typical for 4 to 8 channel versions
 - Input and output terminal blocks accept 12 to 26 gauge wire
 - Output connections from driver for 12 volt is **blue** and 24 volt is **purple**