

NICOR® | select

Backlit **LED** Troffer
T6C Select



Slimline and Versatile for Easy Installation

T6C Select

Backlit LED Troffer

Low Profile and Low Cost Solution

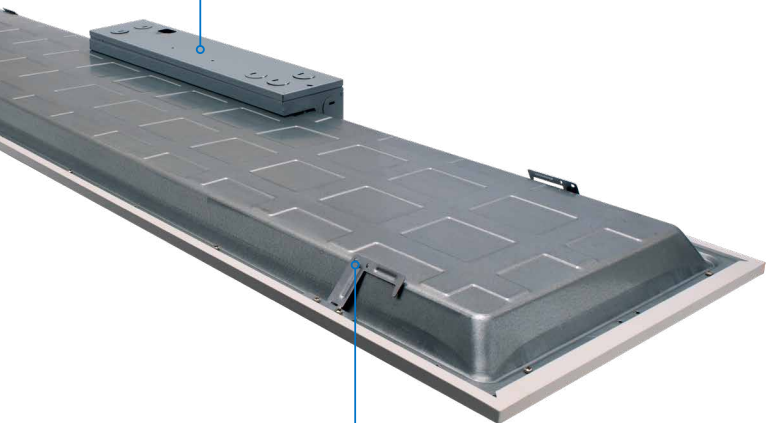
Designed for easy contractor installation, the T6CS Backlit LED Troffer features a pre-mounted driver and a maintenance-free, fully-sealed chamber with seamless aluminum frame. The CCT and output selectable design allows for easy adjustment to 3500, 4000, or 5000K and standard, medium or high output. The T6CS LED Troffer fits easily into ceiling grids and is available in 1x4, 2x2, and 2x4 configurations, making it ideal for new construction and retrofit projects.



3 SKU'S | 27 OPTIONS:
SIZE, CCT, & OUTPUT

Pre-Mounted Driver

Features a pre-mounted driver for contractor friendly installation.



Mounting Holes

Integral grid tie clips with wire holes provided for seismic requirements

Selectable CCT

External switch allows easy CCT Selection: 3500K, 4000K or 5000K



Selectable Output

Removable panel reveals Output Selection: Low, Medium and High

Precision Optics

Advanced optical design generates even light distribution with optimal uniformity, providing glare-free illumination.

Light Uniformity

No visible diodes, hot-spots, or shadows providing high uniformity, and reduced glare.

T6C Select

Product Information

Construction

- Extruded aluminum frame with white powder coat finish
- Durable stamped housing
- High efficiency, fully sealed, maintenance-free LED chamber
- Smooth formed sides for safe handling

Optical System

- Patented internal optical system
- Precision engineered polystyrene diffuser
- High reflectivity internal coating
- No visible diodes, hot-spots, or shadows providing high uniformity, and reduced glare

Electrical

- Input voltage of 120-277VAC
- Dimming: 0-10V standard, dimming down to 10% or less with specified dimmers
- CCT and Output selector switches accessible on junction box

Mounting and installation

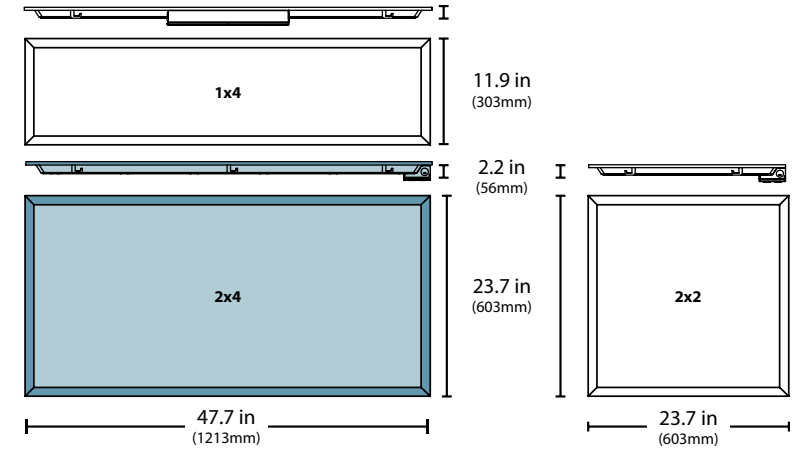
- Features a pre-mounted driver for contractor friendly installation
- Single cover plate with access to both line and low voltage connections.
- Integral grid tie clips with wire holes provided for seismic requirements
- Certified for direct contact with insulation
- Can be installed in conventional suspended grid ceiling or drywall with an optional adaptor
- Operating temperature rating of -4°F to 104°F (-20°C to 40°C)
- For installations where power surge may be possible, NICOR recommends installing additional surge protection at the fixture or electrical distribution panel

Warranty

- 5-year limited system warranty standard
- Warranty does not cover product failure due to an overvoltage event (power surge)

Listings

- UL and cUL 1598 listed for damp location
- DLC 5.1 Standard qualified
- TM-21 Reported L70 (9K) Life > 54,000 hours
- LM-79, LM-80 testing performed in accordance with IESNA standards



Performance Data

Model #	Output Setting	Nominal CCT	Lumens (Lm)	Watts (W)	Efficiency (Lm/W)
T6CS114U8	Low	3500	2542	20.2	125.8
		4000	2597	19.7	131.8
		5000	2598	20.6	126.1
	Medium	3500	3025	25	121.0
		4000	3115	24.2	128.7
		5000	3072	25.3	121.4
	High	3500	3636	30.8	118.1
		4000	3774	29.5	127.9
		5000	3710	31.3	118.5
T6CS122U8	Low	3500	1996	17.7	112.8
		4000	2035	17.3	117.6
		5000	2095	18.0	116.4
	Medium	3500	2907	26.5	109.7
		4000	3047	25.8	118.1
		5000	3022	26.9	112.3
	High	3500	3822	35.8	106.8
		4000	4009	34.2	117.2
		5000	4009	36.0	111.4
T6CS124U8	Low	3500	3143	35.1	125.3
		4000	3228	35.1	126.5
		5000	3187	35.1	126.7
	Medium	3500	4092	36.0	113.7
		4000	4319	35.0	123.4
		5000	4187	36.3	115.3
	High	3500	4920	44.9	109.6
		4000	5341	43.5	122.8
		4500	5170	45.0	114.9

Ordering Information

Example: T6CS24U8

Series	CCT	Ver.	Size	Voltage	CRI	Emergency	Sensor
T6C	S (Selectable)	1	24 (2' x 4')	SU (120-277VAC)	8 (80+)	_ (Blank)	_ (Blank)
			22 (2' x 2')			E1 (EMB45)	IM ¹
			14 (1' x 4')			E2 (EMB80)	
						E3 (EMB250)	

Specifications and dimensions subject to change without notice. 1. Integrated Microwave, consult factory for availability. MOQ order required.

Accessories

accessories sold separately

Surface Mount Kit	TPE10SK24, TPE10SK22, & TPE10SK14
Surface Mount Kit for use with EM	SK24M10WH, SK22M10WH, & SK14M10WH
Flange Kit	TPE10FK24, TPE10FK22, & TPE10FK14

To be used with the coordinating size, ex 2x4 to be used with TPE10SK24, SK24M10WH or TPE10FK24

Warehouse Locations

Albuquerque, NM
Atlanta, GA
Detroit, MI
Folcroft, PA
Houston, TX

Indianapolis, IN
Lombard, IL
Miami, FL
Syracuse, NY
Van Nuys, CA

T 800.821.6283

F 800.892.8393

www.nicorlighting.com

2200 Midtown Pl. NE
Albuquerque, NM 87107 USA



LIT-T6C-Select-10PK
20210224

©2020 NICOR® • ALL RIGHTS RESERVED

NICOR® | select