

LUXRITE®

LED CANLESS - SPOTLIGHT RICHMOND COLLECTION



CRI 90

COLOR SELECTABLE

2700K	3000K	3500K	4000K	5000K
-------	-------	-------	-------	-------

DIMMABLE TRIAC

IC RATED

WET LOCATION RATED

120V

5 YEAR WARRANTY

ETL US Intertek

LR24925 LED/DRDL2/5CCT/RD/WT



FRONT VIEW

APERTURE	2"
DISTRIBUTION	FIXED
APPLICATION	NEW CONSTRUCTION & REMODEL

ELECTRICAL

POWER	15W
INPUT VOLTS	120V
INPUT CURRENT	0.125A
FREQUENCY	60Hz
DIMMING TYPE	TRIAC
DIMMING RANGE	10-100%
FEED WIRE GAUGE	18AWG
BREAKER SPECIFICATION (15A @120V)	79pcs*

*Mathematically estimated value. Actual capacity may vary by breaker type and installation environment.

PHOTOMETRIC

COLOR CCT	2700K/3000K/3500K/4000K/5000K
CRI	90
LUMEN	1000lm
EFFICACY	67lm/w
BEAM ANGLE	38°

CERTIFICATIONS & SAFETY

LR24925	ETL
IP RATING	IP54
ETL RATING	WET LOCATION
IC RATED	YES
AIR TIGHT	NO
OPERATING TEMP.	-4°F to 104°F
COST/YR	\$ 1.80
WARRANTY	5 YR

MATERIAL & APPLICATION

HEAT SINK	DIE-CAST ALUMINUM
TRIM	ALUMINUM
LENS	PC ACRYLIC
CUTOUT	Ø2.83"
MOUNTING TYPE	RECESSED
AREA OF APPLICATION	RESIDENTIAL, COMMERCIAL
CEILING TYPE	DRYWALL, WOOD

DRIVER

	POWER	INPUT VOLTS	INPUT CURRENT	FREQUENCY	INPUT POWER	OUTPUT VOLTAGE	DIMENSIONS	KNOCKOUTS
INCLUDED DRIVER	15	120V	0.125A	60Hz	15W max	36V DC	4.80"L X 2.04"W X 2"H	2

MODEL	DESCRIPTION	EM POWER	INPUT VOLTS	INPUT CURRENT	FREQUENCY	INPUT POWER	OUTPUT VOLTAGE	RECHARGE TIME	EMERGENCY TIME
LR35126**	LED/EMR/15W/AC/SF/E	15	100-347V	100mA	50/60Hz	12W max	170V DC	24HR	90MINS

*AMBIENT TEMPERATURE: 41°F ~ 122°F
**SOLD SEPARATELY

DIMENSIONS

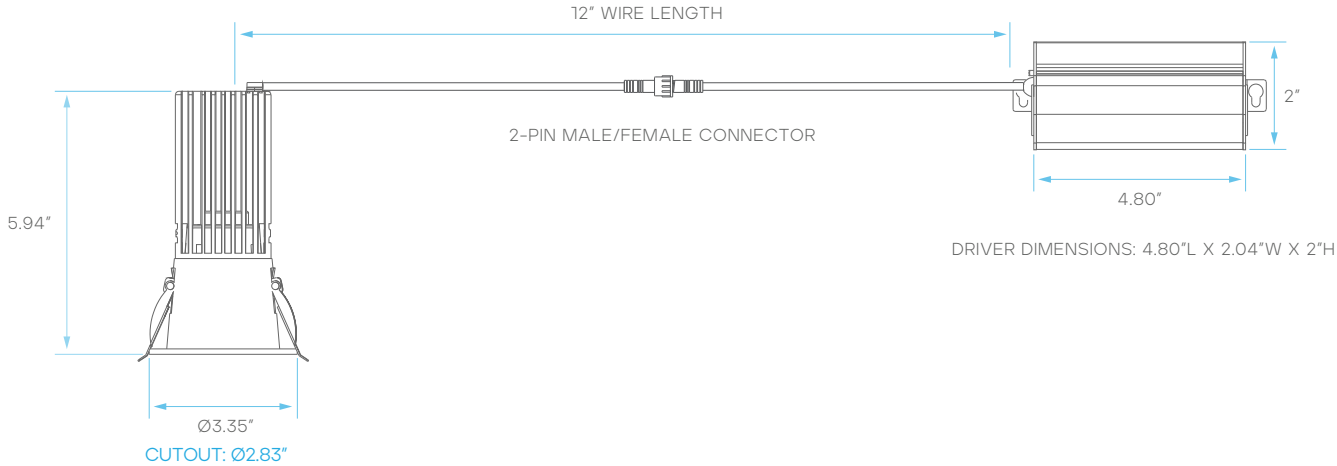
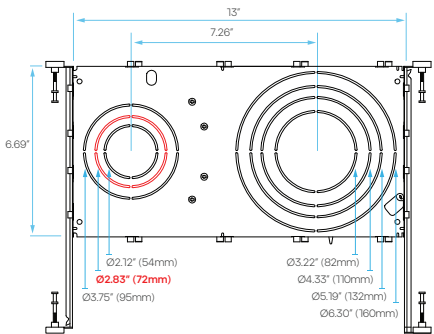


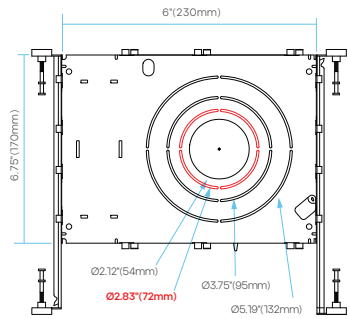
PLATE COMPATIBILITY*

*SOLD SEPARATELY

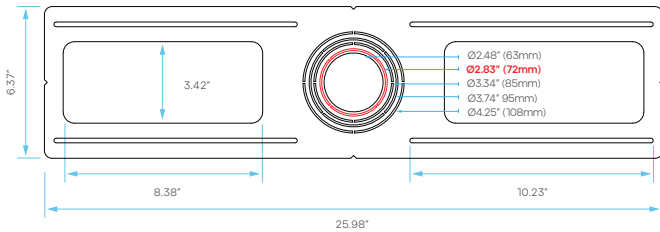
LR41010
KNOCKOUT
L1



LR41004
KNOCKOUT
1



LR41011
KNOCKOUT
1

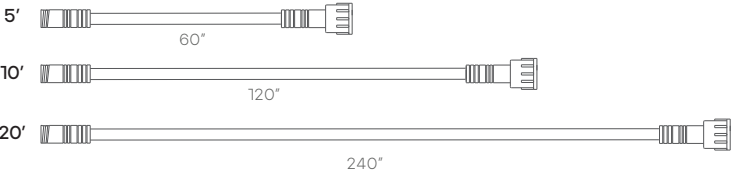


WIRE EXTENDER OPTIONS

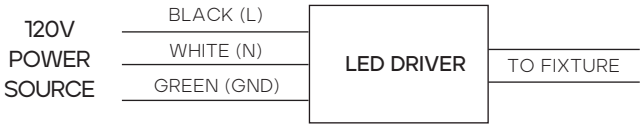
*SOLD SEPARATELY



MODEL	TYPE	WIRE GAUGE
LR41050	5' - 2 PIN	22 AWG
LR41052	10' - 2 PIN	22 AWG
LR41054	20' - 2 PIN	22 AWG



WIRING DIAGRAM



SUGGESTED COMPATIBLE DIMMER*

LUTRON	CTCL-153P
	DVCL-153PDH
	DVCL-153P
LEVITON	6672
	6674
PASS & SEYMOUR	HCL453PTCCCV6

*Dimmer performance may vary based on load, wiring, and installation conditions. Inclusion on this chart does not guarantee compatibility for every installation, and omission does not indicate incompatibility. Refer to the dimmer manufacturer's installation instructions and verify minimum load requirements to avoid field issues

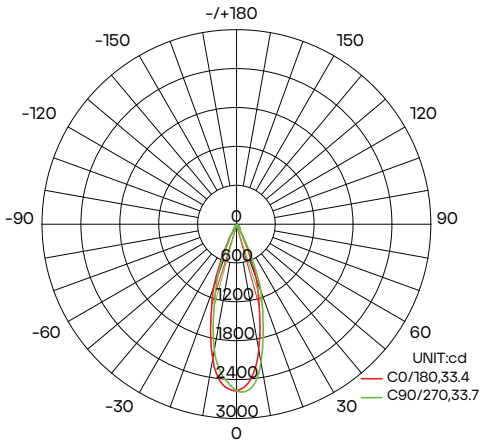
PACKAGING

MODEL	STYLE	INNER BOX DIMENSIONS	MASTER CARTON DIMENSIONS	CASE	WEIGHT
LR24925	INNER BOX + MASTER CARTON	6.69" X 6.10" X 2.75"	15.95" X 4.52" X 4.52"	18	30.51lbs

LuxiFlow™ PHOTOMETRICS

Luxrite® Luxiflow® tool is for informational purposes only, it is not intended to provide lighting or electrical advice.

LUMINOUS INTENSITY DISTRIBUTION DIAGRAM



AVERAGE BEAM ANGLE(50%): 33.6 DEG

*DIAGRAM SHOWING LR24925 AT 2700K

CO PLANE ISOLUX DIAGRAM (UNIT:lx/klm)

