

The NXFR Series is a part of the NXF family of NEMA 4X and UL-EPH Classified emergency lighting solutions for extreme commercial and heavy industrial environments. The NXF family offers protection against humidity, dust, and water infiltration and is comprised of the [NXFX \(Exit Sign\)](#), [NXFC \(Exit Combo\)](#), [NXFE \(Emergency Lighting Unit\)](#), and [NXFR \(Remote Head\)](#). The reinforced polycarbonate enclosure with impact-resistant, UV-stable polycarbonate lens is suitable for vandal-prone areas and Wet Locations.

FEATURES

- NEMA 4X Certified
- UL-EPH Classified
- IP66 Rated
- Up to 52' on-center spacing

SPECIFICATIONS

Illumination: One or two 3.6W MR16 LEDs with 219 lumens each. Compatible with select NXF Series products

Housing: NEMA 4X rated polycarbonate enclosure, polycarbonate lens and stainless steel hardware

Input: 6VDC or 12VDC Remote power source

Operating Temp: -25°C to 50°C (-13°F to 122°F)

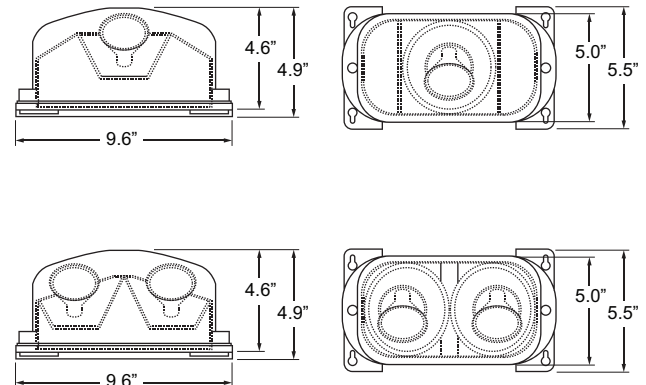
Mounting: Ceiling or wall mount

Finishes: Black or White

Certifications: UL 924 Listed for Wet Locations
Meets NFPA 101 Life Safety Code, NEC, OSHA
ANSI/UL Classified for use in food service operations
NEMA 4X and IP66 Rated

Warranty: Any component that fails due to a manufacturing defect is guaranteed for three years. The warranty does not cover physical damage, abuse or instances of uncontrollable natural forces. See the full Exitronix warranty document for detailed information.

Model: _____ Date: _____
 Accessories: _____
 Job Name: _____ Type: _____



ORDERING INFORMATION Example: NXFR-1-WH-TRH

Series	Number of Lamp Heads	Finish	Options (Factory Installed)
NXFR ¹	1 = Single Lamp	BL = Black	TRH = Tamper-resistant Hardware
	2 = Double Lamps	WH = White	

Notes
¹ Compatible with [NXFC](#) and [NXFE](#) units

CONSTRUCTION

The NXFR Series enclosure is made of UV-stable, reinforced polycarbonate coupled with a polycarbonate lens, corrosion-resistant hardware, and a molded gasket to provide protection for the equipment inside against ingress of solid foreign objects (dust) and water.

ILLUMINATION

One (1) or two (2) fully adjustable, attractive lamp heads allow for maximum light to be delivered to the path of egress. Emergency lights feature (3) LEDs x 1.1W per LED for 3.6W per lamp head that delivers 219 lumens in each MR16 style lamp head to provide optimal center-to-center spacing.

INSTALLATION

Universal knockout pattern on back provided with gasket for watertight seal for back mount.

OPTIONS

Tamper-Resistant Hardware (Option: TRH)

Tamper-resistant hardware adds an additional layer of protection to the unit, preventing unwanted access to the interior of the unit or removal of the lens.

NEMA 4X Rated (Standard)

NEMA 4X rated fixtures are designed for outdoor applications. NEMA 4X rating ensures that the fixtures will withstand contact with falling dirt, moderate or jet-driven water, ice and corrosion. NEMA 4X fixtures are designed to perform in Hose-Down applications.

IP66 Rated (Standard)

IP66 rating ensures that the product can be installed in outdoor applications where significant water or dust may come in contact with the fixture. IP66 rated fixtures are fixtures designed to perform in Hose-Down applications.

UL-EPH Classified (Standard)

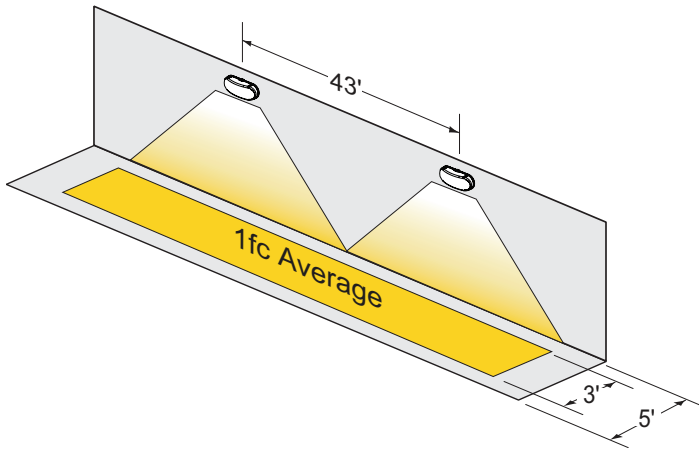
UL-EPH classification ensures that the equipment has been evaluated, tested, and classified to Environmental and Public Health Standards, and certified by ANSI/UL as complying with international commercial food equipment hygiene codes and requirements and that the product can be installed in food processing applications.

CONFORMANCE TO CODES & STANDARDS

The NXFR Series is UL Listed for Wet Locations and meets or exceeds the following: NEC requirements and NFPA 101.

SAMPLE PHOTOMETRICS - 3' PATH OF EGRESS

Using multiple NXFR double head units mounted at a typical 9' height delivers 43' on-center spacing with a 3' wide path of egress using 80/50/20 reflectances.



SAMPLE PHOTOMETRICS - 6' PATH OF EGRESS

Using multiple NXFR double head units mounted at a typical 9' height delivers 40.5' on-center spacing with a 6' wide path of egress using 80/50/20 reflectances.

