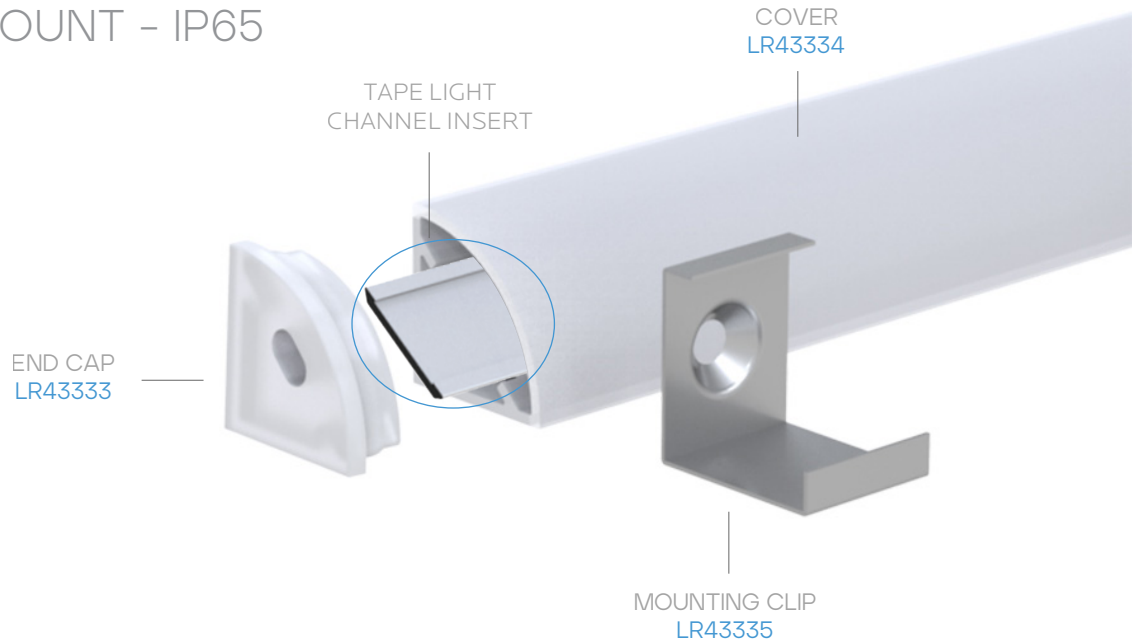


LR43330

LED/CNLC/IP/8/PC/KIT

CORNER MOUNT - IP65



BUNDLE COMPONENTS (INCLUDED)

END CAP: LR43333 - LED/CNLC/IP/ECAP

PC COVER: LR43334 - LED/CNLC/IP/CVR/PC

MOUNTING CLIP: LR43335 - LED/CNLC/IP/CLIP

SPECIFICATIONS

| | |
|-------------------|----------------|
| LENGTH: | 96" |
| MATERIAL: | PVC |
| END CAP MATERIAL: | PVC & SILICONE |
| COVER: | MILKY PC |
| FINISH: | WHITE PVC |
| FIELD CUTTABLE: | YES |
| LOCATION: | WET |

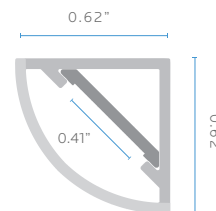
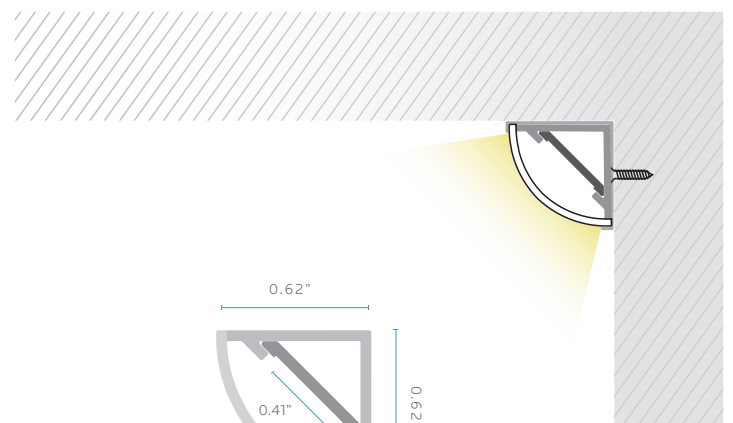
TAPE LIGHT COMPATIBILITY:

POWER RATE: ≤15W/M

TAPE WIDTH: ≤10MM

- LR44100 · LR44101 · LR44102 · LR44103 · LR44104
- LR44120 · LR44121 · LR44122 · LR44123 · LR44124
- LR44200 · LR44201 · LR44202 · LR44203 · LR44204
- LR44300 · LR44301 · LR44302 · LR44303 · LR44304
- LR44400 · LR44401 · LR44402 · LR44403 · LR44404

INSTALLATION



DIMENSIONS