

MLE180C2-12UD

Class 2 Electronic UNIV 5 in 1 dimming

Outdoor Black Powder Coated Steel Enclosure

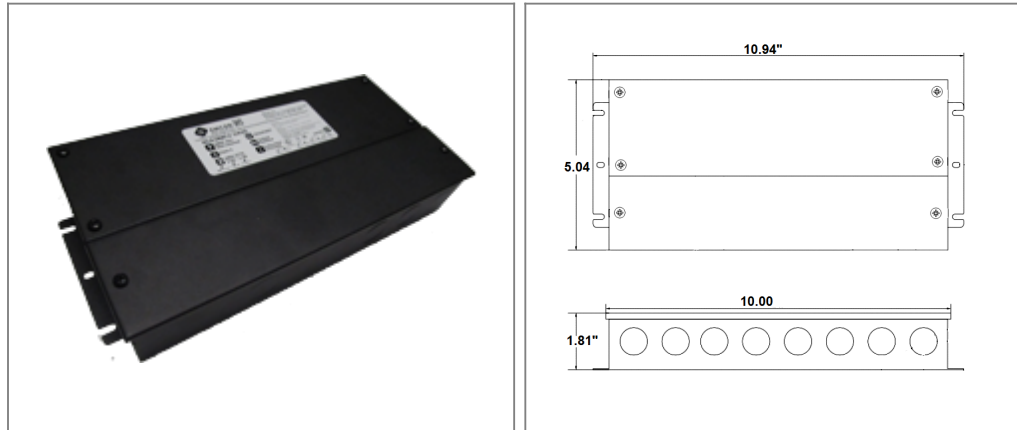
Multi Circuit: **12VDC**

Total Wattage: **180W max**

Input Voltage: **110-277V 50/60Hz**



Conforms to UL STD. 8750
Certified to CSA
STD. C22.2 № 250.13
model MLE180C2-12UD

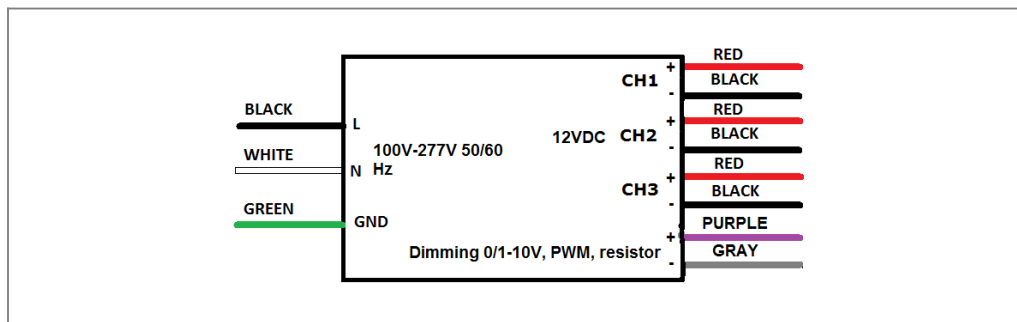


Transformer

Dimmable with triac forward and reverse phase, 0/1-10V , resistor, PWM
Temperature class B(130°C)
Input leads are 18AWG 600V
Output leads are 16AWG 300V
Leads max. operational temperature is 105°C per circuit

Housing

The actual transformer 180W is encapsulated in the enclosure
The enclosure is Black Powder Coated Steel, NEMA 3R rated
Wiring compartment has 8 knockouts sizes for 3/8 inch screw cable connectors
Enclosure Temperature does not exceed 70°C at 45°C ambient and fully loaded
Dimensions (inch): H = 5.04, W = 10.94, D = 1.81
Weight (LBs): 4.4



Electrical Parameters

Input Voltage:	110-277V 50/60Hz	
Max. input current at full load:	1.8A	
Output voltage without load:	12.1VDC	
Output voltage fully loaded:	12VDC	
Max. Total Wattage:	180W	Max. per circuit: 60W
Max. Output Current:	5A	per circuit.
Efficiency:	90%	
Load regulation:	1%	
Ripple:	5%	

Mailing Address: 6925 Eton Ave. Canoga Park, CA 91303 Tech support: Arik Nirenberg phone: 818-904-3309 cellphone: 818-269-4091
Fax: 818 904 3327 info@emcod.com techsupport@emcod.com