

NXSW SERIES

SPECIALTY WALL STATIONS

DATE:	LOCATION:
TYPE:	PROJECT:
CATALOG #:	

FEATURES

- Provide out-of-box programming for plug-and-play operation with NX devices
- Remotely configurable via the NX Lighting Controls mobile app or NX Area Controller
- Attractive decorator style housing
- All wall stations mount to standard single or multi-gang wall boxes
- Low voltage 24VDC device powered from standard Cat5 connection
- Available in multiple colors
- Custom buttons for specialty applications
- Five-year limited warranty



CONTROL TECHNOLOGY



SPECIFICATIONS

CONSTRUCTION

- Housing - Rugged, high impact, injection molded plastic
- White, Ivory, Light Almond, Gray, Red and Black color options available
- Weight - 1.6oz (45.36g)
- Housing Dimensions - 4.2" L (106.68mm) x 1.6" W (40.64mm) x 1.4" D (35.65mm)

MOUNTING

- Switches can be mounted to Single-Gang Box, Multi-Gang Box or Low Voltage Ring¹
- NX Wall Stations are compatible with standard decorator style wall plates

ELECTRICAL

- Class 2 Low Voltage 24 VDC

ELECTRICAL (CONTINUED)

- Connection via RJ45 SmartPORTs™ (2)
- Powered by NX SmartPORT using plenum rated Cat5 cables (ordered separately)
- Standby Power (W)
 - 120VAC: 0.1
 - 277VAC: 0.1
 - 347VAC: 0.4

OPERATING ENVIRONMENT

- Rated for Indoor Use Only
- Operating temperature: 32° to 104°F (0° to 40° C)
- Relative humidity (non-condensing): 0 to 95%

CERTIFICATIONS

- This product meets federal procurement law requirements under the Buy American Act (FAR 52.225-9) and Trade Agreements Act (FAR 52.225-11). See [Buy America\(n\) Solutions](#).

WARRANTY

- 5 year limited

ORDERING GUIDE

Example: NXSWR-OO-WH

CATALOG #

NXSWR			
Model	Switch Type	Color	BAA/TAA*
NXSWR NX Specialty Switch	OO On/Off ORLO On/Raise/Lower/Off RL Raise/Lower TO Timed-On SS Scene	WH White IV Ivory LA Light Almond GY Gray BK Black RD Red ¹	Blank Standard Product * See Buy American Solutions to right

Notes:

- 1 Mounting tabs may be trimmed if interference occurs with specialty junction boxes or trim rings

*Buy American Solutions	
BAA FAR §52.225-9	TAA FAR §52.225-11
NXSWR-SS-WH-U	NXSWR-SS-WH-T
	NXSWR-ORLO-GY-T
NXSWR-ORLO-WH-U	NXSWR-ORLO-IV-T
	NXSWR-ORLO-WH-T

Notes:

- 1 Special order only please consult factory for lead times and availability
*Please see Buy American Solutions table above

NXSW SERIES

SPECIALTY WALL STATIONS

DATE: _____ LOCATION: _____

TYPE: _____ PROJECT: _____

CATALOG #: _____

ORDERING GUIDE

Cat5 Cable Ordering Guide

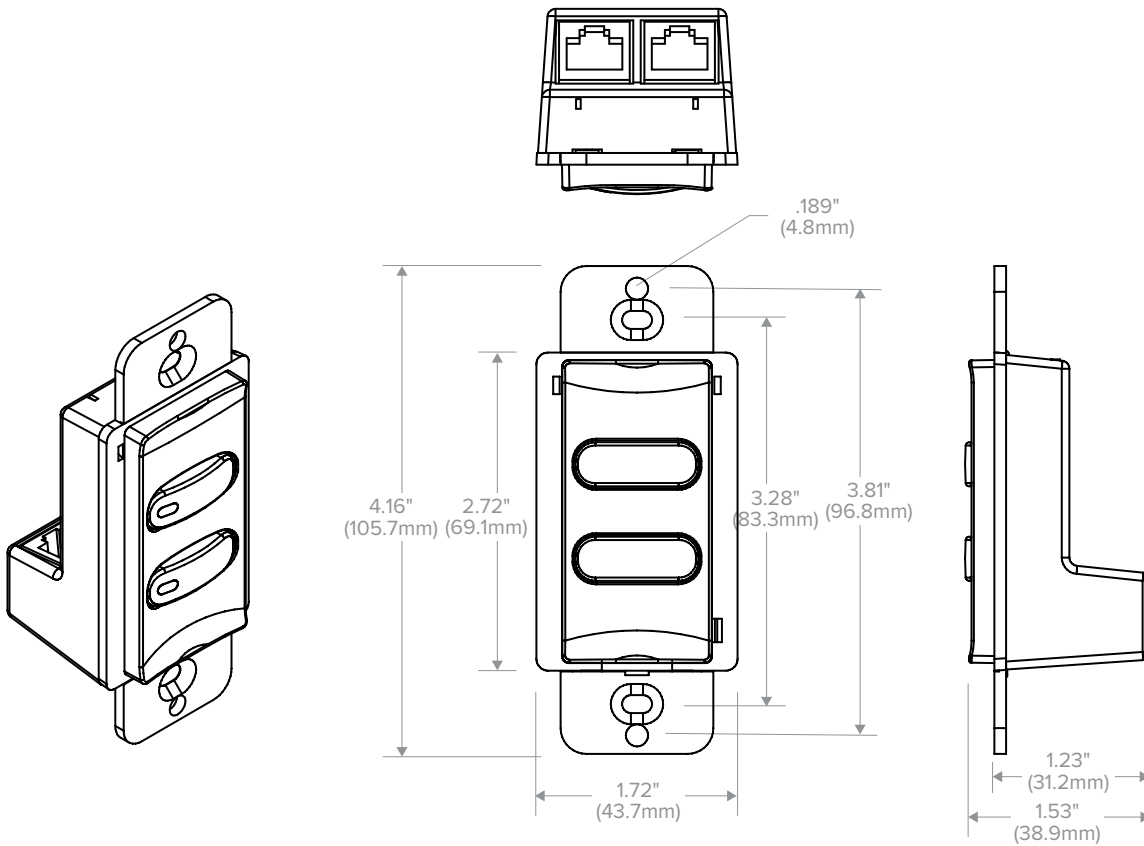
CATALOG #

Model/Description	
CAT5-3IN-OR-PLENUM	CAT5 Cable for NX SmartPORT™ Devices, Plenum Rated, 3in, Orange
CAT5-3F-OR-PLENUM	CAT5 Cable for NX SmartPORT Devices, Plenum Rated, 3ft, Orange
CAT5-10F-OR-PLENUM	CAT5 Cable for NX SmartPORT Devices, Plenum Rated, 10ft, Orange
CAT5-25F-OR-PLENUM	CAT5 Cable for NX SmartPORT Devices, Plenum Rated, 25ft, Orange
CAT5-50F-OR-PLENUM	CAT5 Cable for NX SmartPORT Devices, Plenum Rated, 50ft, Orange
CAT5-100F-OR-PLENUM	CAT5 Cable for NX SmartPORT Devices, Plenum Rated, 100ft, Orange



Cat5 Cable

DIMENSIONS








NXSW SERIES

SPECIALTY WALL STATIONS

ADDITIONAL INFORMATION

Model Descriptions

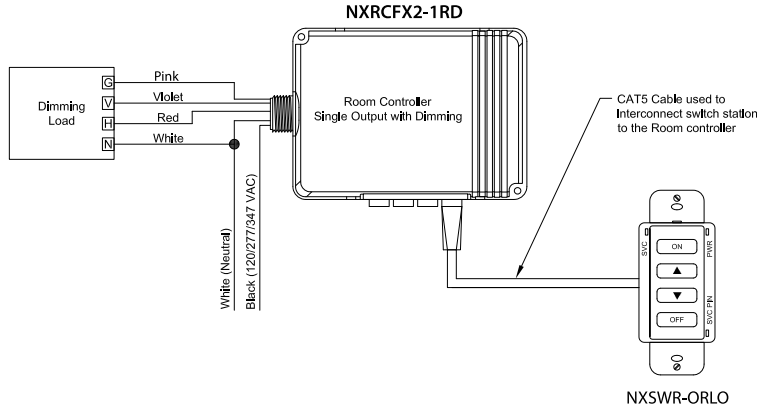
MODEL		TYPE	SETTINGS
NXSWR-ORLO		On/Raise/Lower/Off	Default configuration is to control all 16 groups. Use Manual Configuration or the App to limit the controlled groups. The ON button sends group ON to full dimming level. It can be configured to send a dimming level other than full. The OFF button sends group OFF to minimum dimming level. It can be configured to send a dimming level other than minimum.
NXSWR-SS		Scene Switch	Default configuration is to control all relays and dimmers in the connected room or area. The four preset buttons are factory set from top to bottom at 100%, 75%, 50%, and 25% dimming level with a 5 second fade time. All these settings can be changed using the App. The raise/lower buttons will increase or decrease the light level of all dimmed loads that are in the ON state. A single firm press and release of the lower button will turn off all lights controlled by the switch.
NXSWR-OO		On/Off Switch	Default configuration is to control relays and dimmers in all 16 groups. The On button sends group ON to full level and the Off button sends group OFF to minimum light level. Relay control is optional. These buttons cannot be configured for any other operation. Use Manual Configuration or the App to limit the number of groups controlled.
NXSWR-RL		Dimming Raise/Lower	Default configuration is to control dimmers in all 16 groups. The Raise button increases the level of all dimmable loads that are ON. The Lower button decreases the dimming level. These buttons cannot be configured for any other operation. Use Manual Configuration or the App to limit the number of groups controlled.
NXSWR-TO		Timed On	Default configuration is to control relays and dimmers in all 16 groups. The App allows setting the on time from 1 minute to 255 minutes. Default operation is to turn off at the expiration of the on time. There are settings to allow the relay to be included or excluded from the operation. During the on time period, pressing the button for three seconds cancels the timer and initiates the off.

NXSW SERIES

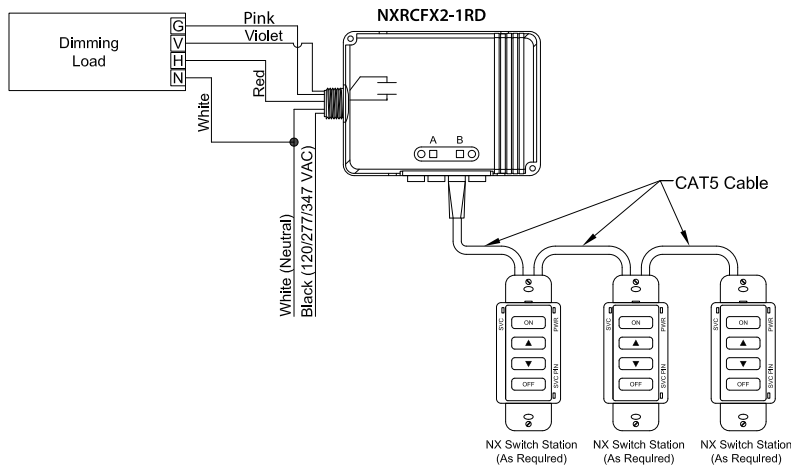
SPECIALTY WALL STATIONS

ADDITIONAL INFORMATION (CONTINUED)

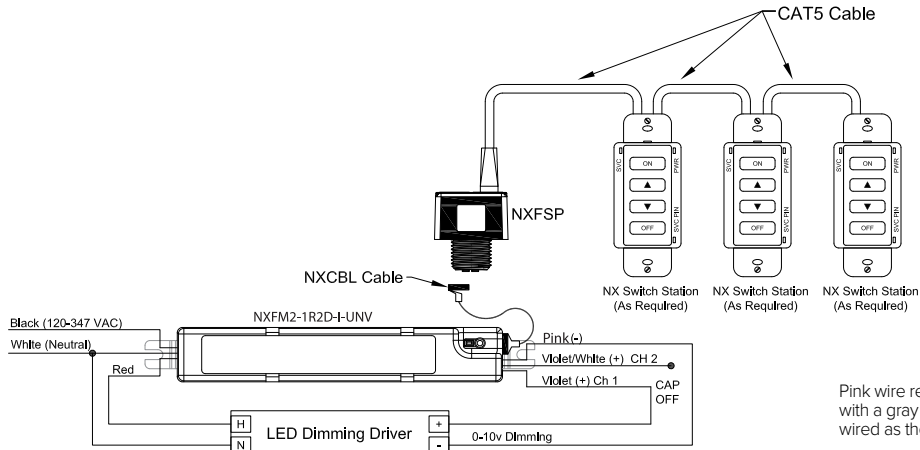
Wiring Diagrams



NXSW WALL STATION WITH NX ROOM CONTROLLER



MULTIPLE NXSW WALL STATIONS DAISY CHAINED WITH NX ROOM CONTROLLER



Pink wire replaces previous gray wire. Units with a gray instead of pink wire should be wired as the pink wire shown in the diagram.

MULTIPLE NXSW WALL STATIONS DAISY CHAINED WITH NX ENABLED LUMINAIRE