

FLT

FLAT LENS VOLUMETRIC TROFFER



FEATURES

- Architecturally Designed Flat Lensed Volumetric Troffer
- Lightweight Aluminum Matte White Finish Body
- Impact & Scratch Resistant PMMA Frosted Acrylic Lens
- Tamper & Vandal Resistant Design
- Recessed, Surface or Flange Mount
- Advanced Wireless Controls Options
- 1x4, 2x2, 2x4 sizes
- 2,300 – 4,800 Delivered Lumens
- 3000K – 4000K CCT
- >80 Color Rendering Index (CRI)
- Calculated L70 >100,000 hrs
- 0–10V Dimmable Driver (100%–1%)
- 120–277V Universal Voltage
- 5 Year Warranty
- ETL Listed for Damp Locations



SUITABLE APPLICATIONS

- Education
- Healthcare
- Offices
- Hallways
- Multipurpose Rooms
- Conference Rooms

ORDERING GUIDE:

| SERIES | WATTS | DRIVER | CCT |
|-----------------------------|--------|------------|-----|
| FLT14 1x4 Flat Lens Troffer | 19WLED | U 120-277V | 40 |
| | 30WLED | | 35 |
| | 45WLED | | 30 |
| FLT22 2x2 Flat Lens Troffer | 19WLED | | |
| | 30WLED | | |
| | 45WLED | | |
| FLT24 2x4 Flat Lens Troffer | 26WLED | | |
| | 35WLED | | |
| | 45WLED | | |

| DRIVER & EMERGENCY OPTIONS | | CONTROLS OPTIONS | |
|----------------------------|------------------------------------------|------------------------|------------------------------------------------------------------------------|
| Factory Installed | | Advanced | |
| POSTP | Post Painted Aluminum | ESMC ^{2,4} | EasySense Sensor |
| SR | Sensor Ready Module | 5E/CU/CL ⁴ | Enlighted 5E Connected Lighting (CL) Sensor with Control Unit |
| DR | DALI Ready Module | 5E/CU/IOT ⁴ | Enlighted 5E Internet of Things (IOT) Sensor with Control Unit |
| SD347 ¹ | 347V Step Down Transformer | 5E/5W/CL ⁴ | Enlighted 5E Connected Lighting (CL) Sensor w/ Aux Driver/5 Wire Connection |
| EM5 | 5W LED Factory Installed Battery Backup | 5E/5W/IOT ⁴ | Enlighted 5E Internet of Things (IOT) Sensor w/ Aux Driver/5 Wire Connection |
| EM5/HE ⁶ | 5W LED Factory Installed Battery Backup | VDO ^{3,4} | Lutron Vive DFCSJ-OEM-OCC (Daylight and Occupancy) |
| EM7 | 7W LED Factory Installed Battery Backup | VRF ^{3,4} | Lutron Vive DFCSJ-OEM-RF (Radio Frequency Only) |
| EM7/HE ⁶ | 7W LED Factory Installed Battery Backup | AWN ^R | Lutron Athena Wireless Node, Radio Frequency Only |
| EM10 | 10W LED Factory Installed Battery Backup | AWN ^S | Lutron Athena Wireless Node with Sensor |
| EM10/HE ⁶ | 10W LED Factory Installed Battery Backup | | |
| EM12 | 12W LED Factory Installed Battery Backup | | |

| WHIP OPTIONS – FACTORY INSTALLED | | SHIP WITH ACCESSORIES | |
|----------------------------------|------------------------------------------------------------------------------------------------|-----------------------|--------------------------------------------|
| MC6/3W | 6ft MC Cable w/ 3 leads attached to power–non-dimming | ESMC/WWS/DR | EasySense Dual Rocker Wireless Wall Switch |
| MC6/4W | 6ft 4 Wire MC Cable Whip w/ 3 leads attached to power & 1 lead for battery backup | HC | Hurricane Clips |
| MC6/5W | 6ft 4 Wire MC Cable Whip w/ 3 leads attached to power & 2 lead attached to dimming | FLGK | Flange Kit |
| MC6/6W | 6ft 6 Wire MC Cable Whip w/ 3 leads for fixture power & 2 leads for dimming & 1 battery backup | SM | Surface Mount Kit |

¹Does not qualify for DLC ²Must be used with SR Sensor Ready Driver ³One needed per project
⁴Easily Controlled via Mobile Phone with Philips MasterConnect Bluetooth App ⁵View controls page for more details (pg. 3) ⁶CEC Title 20 Compliant

FLAT LENS VOLUMETRIC TROFFER

| LED SYSTEMS INFO ¹ | 3000K | | 3500K | | 4000K | | Watts ² | DLC Listing | Replaces |
|-------------------------------|--------------|----------|----------|----------|----------|----------|--------------------|-------------|----------|
| | Part Numbers | Lumens | Efficacy | Lumens | Efficacy | Lumens | | | |
| FLT14-19WLED | 2,263 lm | 121 lm/w | 2,302 lm | 123 lm/w | 2,341 lm | 125 lm/w | 19W | Standard | 2T8 |
| FLT14-30WLED | 3,485 lm | 116 lm/w | 3,546 lm | 118 lm/w | 3,609 lm | 120 lm/w | 30W | Standard | 2T8 |
| FLT14-45WLED | 4,911 lm | 110 lm/w | 4,996 lm | 112 lm/w | 5,027 lm | 112 lm/w | 45W | Standard | 2T8 |
| FLT22-19WLED | 2,148 lm | 114 lm/w | 2,234 lm | 119 lm/w | 2,319 lm | 124 lm/w | 19W | Standard | 2T8 |
| FLT22-30WLED | 3,292 lm | 110 lm/w | 3,425 lm | 114 lm/w | 3,557 lm | 119 lm/w | 30W | Standard | 3T8 |
| FLT22-45WLED | 4,609 lm | 104 lm/w | 4,793 lm | 108 lm/w | 4,802 lm | 107 lm/w | 45W | Standard | 3T8 |
| FLT24-26WLED | 3,147 lm | 122 lm/w | 3,157 lm | 123 lm/w | 3,168 lm | 123 lm/w | 26W | Premium | 2T8 |
| FLT24-35WLED | 4,141 lm | 118 lm/w | 4,155 lm | 119 lm/w | 4,171 lm | 119 lm/w | 35W | Standard | 3T8 |
| FLT24-45WLED | 5,072lm | 114 lm/w | 5,089 lm | 115 lm/w | 4,832 lm | 108 lm/w | 45W | Standard | 3T8 |

¹Values are nominal, see IES file for more detail
²Electrical data at 25C (77F). Actual wattage may differ by +/-10%.

SPECIFICATIONS

CONSTRUCTION

Lightweight aluminum matte white finish body for rigidity, durability, and ease of installation. Optional paint after fabrication. Designed to achieve maximum performance and improved aesthetics. Tamper resistant design with no bottom access to electrical components; requires use of Hurricane Clips (HC) when recess mounting.

ELECTRICAL

Class 2 LED light engine for high efficacy and long life. Calculated L70 >100,000 hrs. LED Lumen Maintenance Estimates based on TM-21 projections for the light source at 25°C ambient. Power Factor > 0.90. Standard 120-277 Vac 0-10V dimmable (1%-100%) with optional 347-480 Vac step down transformer. Optional emergency battery backups available to meet critical life safety lighting requirements.

MOUNTING

Installs into standard 15/16" & narrow 9/16" T-grid ceiling. Optional Flange Kit (FLGK) for recessed drywall mounting & Surface Mount (SM) to ceiling mount options available. Hurricane Clips (HC) required for use in tamper resistant applications. Access plate installed on top of fixture for easy hardwire power connections. Optional factory installed power flex conduit whip (WHIP) available to reduce electrical installation time.

WARRANTY

5 Year Warranty (Terms and Conditions apply)

OPTICS

Impact and Scratch resistant PMMA frosted acrylic lens. Optimized optical design provides soothing illumination and glare reduction for maximum visual comfort.

CONTROLS

Factory installed advanced sensor options available. Sensor mounts within the body of the fixture, see controls page for more detail (pg.3). Inquire with manufacturer for more controls options, including customer supplied items.

CERTIFICATIONS

ETL Listed to US & Canadian safety standards. Suitable for damp locations. Type IC rated. American Recovery & Reinvestment Act Funding Compliant. Title 24 Compliant with sensor options; see local ordinance for qualification information. DLC (DesignLights Consortium) Premium Qualified, with some Standard Qualified configurations. Please refer to the DLC Qualified Products List at www.designlights.org/QPL to confirm specific product qualifications.

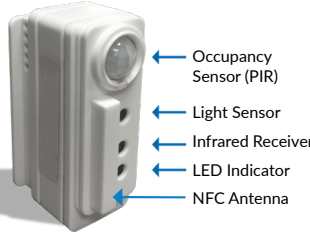
FLAT LENS VOLUMETRIC TROFFER

ADVANCED CONTROLS OPTIONS

EASYSense

ESMC

EasySense combines occupancy sensing, daylight harvesting and institutional tuning in one compact solution. This is an ideal control for any Commercial application. Each device allows you to turn on/off occupancy and/or daylight harvesting functions as well as set the full light output, background light level, occupancy prolong time, occupancy gray fading time, and occupancy time out/hold time. It can be easily controlled via the Phillips MasterConnect Bluetooth App on a mobile phone.



ESMC/WWS/DR

Optional Wireless / Batteryless Dual Rocker Wall Switch. Up to 100ft range. Functions include: On/Off, dimming and setting of (2) scenes for full room control.

Specifications:

- Wireless
- Batteryless
- Dual Rocker
- ZigBee®
- 30-100ft Range

Functions:

1. On (Hold to brighten up)
2. Off (Hold to dim down)
3. Scene 1
4. Scene 2



LUTRON

VDO

Vive DFCSJ-OEM-OCC integral fixture control sensor with daylight & occupancy. Vive provides intuitive programming allowing for maximum flexibility with wireless communication & sensing as desired. Provided with factory installed components only. Lutron system provided by others. Sensor must be used in conjunction with Pico Switch/Dimmer. Cannot be used in conjunction with mechanical on/off power switch. Contact factory for more information.



VRF

Vive DFCSJ-OEM-RF integral fixture control with Radio Frequency (RF) communication. Vive provides intuitive programming allowing for maximum flexibility with wireless communication as desired. Provided with factory installed components only. Lutron system provided by others. Sensor must be used in conjunction with Pico Switch/Dimmer. Cannot be used in conjunction with mechanical on/off power switch. Contact factory for more information.



ANWR

Athena wireless node is a radio frequency (RF) device that enables simple, digital control of individual light fixtures in an Athena control system. Enables individual wireless control of each fixture in an Athena control system. Accommodates zone and control changes without rewiring. All drivers on the link are controlled as a single zone. Provided with factory installed components only. Lutron Athena system provided by others.



AWNS

Athena wireless node with a sensor that enables simple, digital control of individual light fixtures in an Athena control system. Provides wireless control of the fixture and includes a passive infrared (PIR) sensor for occupancy and a daylight sensor. Enables individual wireless control of each fixture in an Athena control system. Accommodates zone and control changes without rewiring. All drivers on the link are controlled as a single zone. Provided with factory installed components only. Lutron Athena system provided by others.



ENLIGHTED

5E/CU/CL

Bundled System with Enlighted 5E sensor (SU-5E-CL), Control Unit (CU-4E-FM) and Cable (CBL-5E-CU4-30N). Fixtures are controlled based on occupancy and ambient light. Includes individual lighting control plus connection to Enlighted Energy Manager. The Energy Manager provides data analysis for all data collected by the Enlighted Smart Sensors for energy, occupancy and environment. Provided with factory installed components only. Enlighted system provided by others. Contact factory for more information. (see image above)

5E/CU/IOT

Bundled System with Enlighted 5E sensor (SU-5E-IOT), Control Unit (CU-4E-FM) and Cable (CBL-5E-CU4-30N). Fixtures are controlled based on occupancy and ambient light. Includes individual lighting control plus connection to Enlighted Energy Manager. The Energy Manager provides data analysis for all data collected by Enlighted Smart Sensors for energy, occupancy & environment. Additionally, the IOT functionality takes the data access and function beyond just lighting to a wide range of applications beyond the standard connected lighting controls. Provided with factory installed components only. Enlighted system provided by others. Contact factory for more information. (see image above)

5E/5W/CL

Bundled System with Enlighted 5E sensor (SU-5E-CL) & Cable (CBL-5E-CU4-30N) paired with a driver with auxiliary power & 5 wire connection. Fixtures are controlled based on occupancy and ambient light. Includes individual lighting control plus connection to Enlighted Energy Manager. The Energy Manager provides data analysis for all data collected by the Enlighted Smart Sensors for energy, occupancy and environment. Provided with factory installed components only. Enlighted system provided by others. Contact factory for more information. (see image above)

5E/5W/IOT

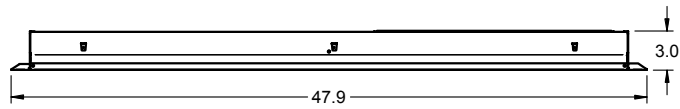
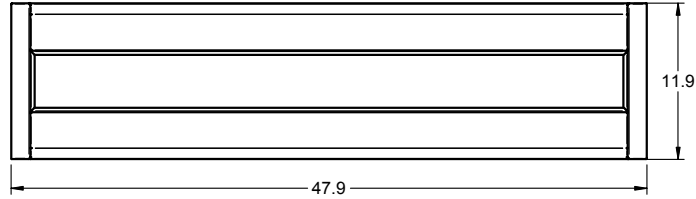
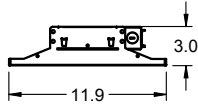
Bundled System with Enlighted 5E sensor (SU-5E-IOT) & Cable (CBL-5E-CU4-30N) paired w/ a driver w/ auxiliary power and 5 wire connection. Fixtures are controlled based on occupancy & ambient light. Includes individual lighting control plus connection to Enlighted Energy Manager. The Energy Manager provides data analysis for all data collected by Enlighted Smart Sensors for energy, occupancy & environment. Additionally, the IOT functionality takes the data access and function beyond just lighting to a wide range of applications beyond the standard connected lighting controls. Provided with factory installed components only. Enlighted system provided by others. Contact factory for more information. (see image above)

FLT

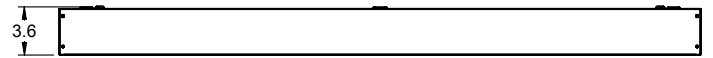
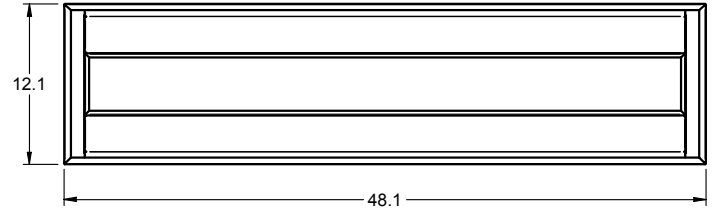
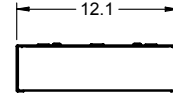
FLAT LENS VOLUMETRIC TROFFER

LINE DRAWINGS

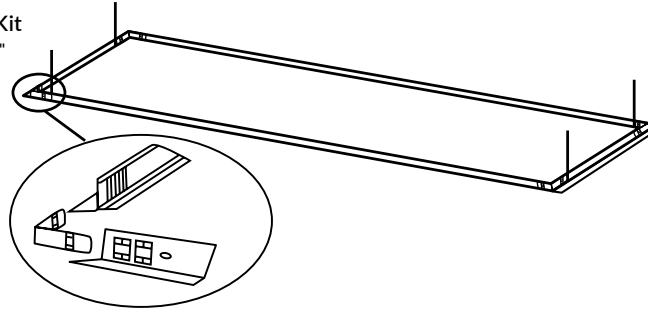
1x4 Dimensions



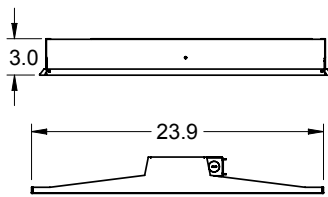
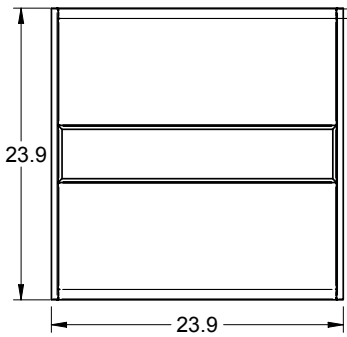
Surface Mount Housing



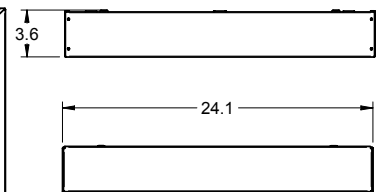
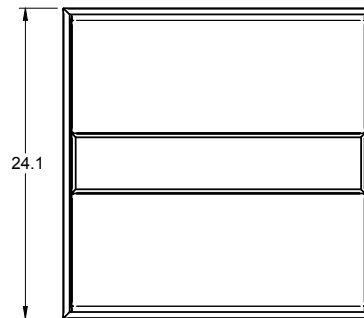
Dimensions with Flange Kit Ceiling opening is 12.25" x 48.25"



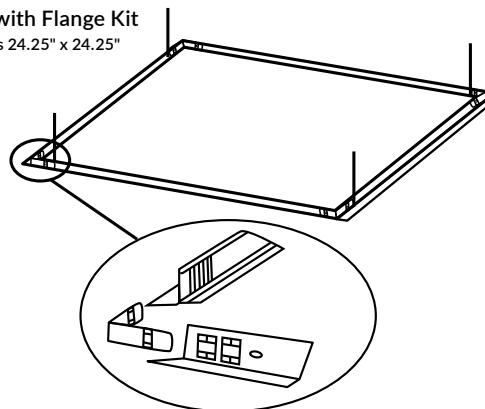
2x2 Dimensions



Surface Mount Housing



Dimensions with Flange Kit Ceiling opening is 24.25" x 24.25"

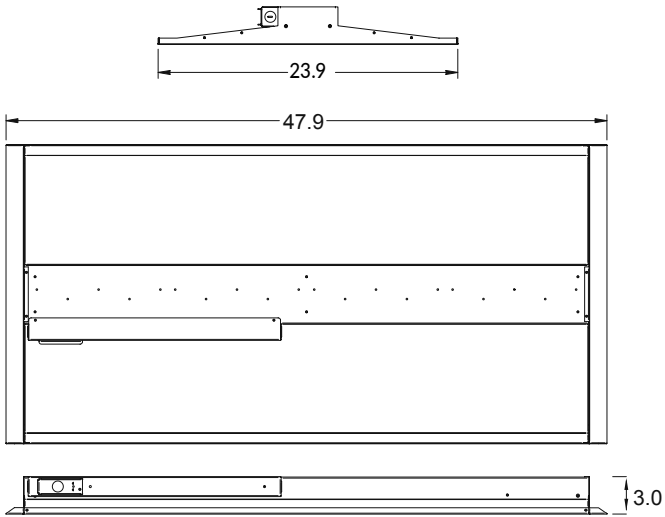


FLT

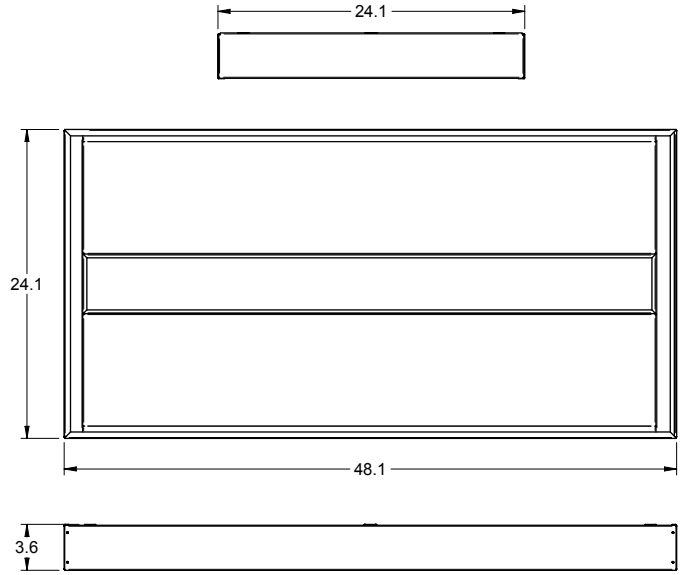
FLAT LENS VOLUMETRIC TROFFER

LINE DRAWINGS

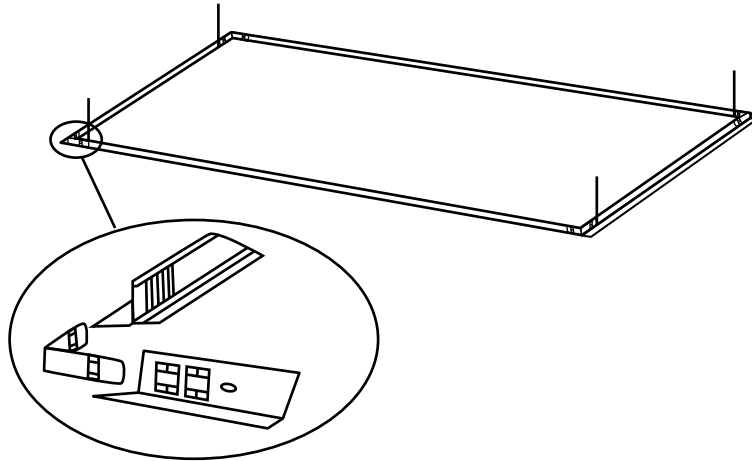
2x4 Dimensions



Surface Mount Housing



Dimensions with Flange Kit
Ceiling opening is 24.25" x 48.25"

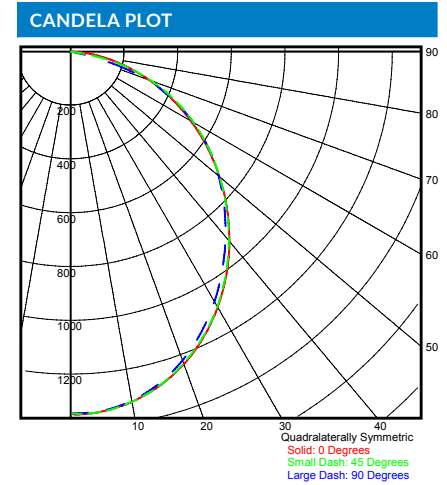


FLAT LENS VOLUMETRIC TROFFER

PHOTOMETRIC REPORTS

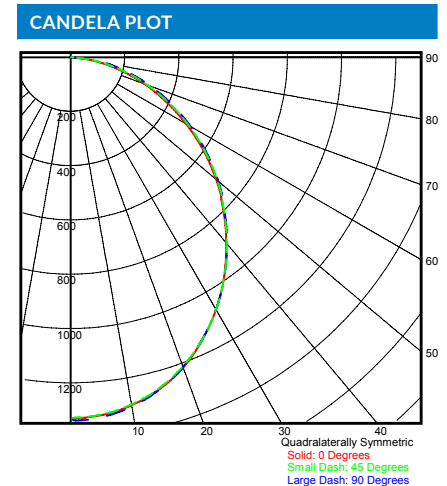
| LUMINAIRE DATA | |
|---------------------|-------------------------------------------------------------------------|
| Part Number | FLT14-30WLED-UNIV-40 |
| Description | 1' x 4' Flat Lens Troffer with a flat frosted acrylic lens 3,600 lumens |
| Fixture Lumens (lm) | 3,609 lm |
| Wattage (W) | 30 W |
| Efficacy (lm/W) | 120 lm/W |
| Mounting | Recessed |
| Spacing Criteria | 0° = 1.21, 90° = 1.19 |

| ZONAL LUMEN SUMMARY | | |
|---------------------|-------------|-----------|
| Zone | Lumens (lm) | % Fixture |
| 0° - 40° | 1,661 | 47% |
| 0° - 60° | 2,863 | 82% |
| 0° - 90° | 3,609 | 100% |
| 90° - 180° | 0 | 0% |
| 0° - 180° | 3,609 | 100% |



| LUMINAIRE DATA | |
|---------------------|-------------------------------------------------------------------------|
| Part Number | FLT22-30WLED-UNIV-40 |
| Description | 2' x 2' Flat Lens Troffer with a flat frosted acrylic lens 3,600 lumens |
| Fixture Lumens (lm) | 3,557 lm |
| Wattage (W) | 30 W |
| Efficacy (lm/W) | 119 lm/W |
| Mounting | Recessed |
| Spacing Criteria | 0° = 1.21, 90° = 1.19 |

| ZONAL LUMEN SUMMARY | | |
|---------------------|-------------|-----------|
| Zone | Lumens (lm) | % Fixture |
| 0° - 40° | 1,633 | 47% |
| 0° - 60° | 2,799 | 81% |
| 0° - 90° | 3,557 | 100% |
| 90° - 180° | 0 | 0% |
| 0° - 180° | 3,557 | 100% |



| LUMINAIRE DATA | |
|---------------------|-------------------------------------------------------------------------|
| Part Number | FLT24-35WLED-UNIV-40 |
| Description | 2' x 4' Flat Lens Troffer with a flat frosted acrylic lens 4,100 lumens |
| Fixture Lumens (lm) | 4,171 lm |
| Wattage (W) | 35 W |
| Efficacy (lm/W) | 119 lm/W |
| Mounting | Recessed |
| Spacing Criteria | 0° = 1.21, 90° = 1.19 |

| ZONAL LUMEN SUMMARY | | |
|---------------------|-------------|-----------|
| Zone | Lumens (lm) | % Fixture |
| 0° - 40° | 1,844 | 47% |
| 0° - 60° | 3,165 | 80% |
| 0° - 90° | 4,171 | 100% |
| 90° - 180° | 0 | 0% |
| 0° - 180° | 4,171 | 100% |

