

# LUXRITE®

## LED CANLESS - SPOTLIGHT TAMPA COLLECTION



7"



FRONT VIEW

CRI  
90

COLOR SELECTABLE  
2700K 3000K 3500K 4000K 5000K

DIMMABLE  
TRIAC

15°  
360°  
GIMBAL

HIGH  
OUTPUT

IC  
RATED

AIR  
TIGHT

WET  
LOCATION  
RATED

120V

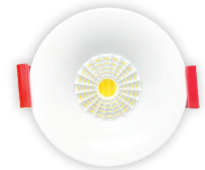
5  
YEAR  
WARRANTY

ETL  
C-UL  
Intertek

24  
PART 5

## LR23467

LED/DLMD1HO/5CCT/RD/WFL/WT



FRONT VIEW

APERTURE	1"
DISTRIBUTION	FIXED
APPLICATION	NEW CONSTRUCTION & REMODEL

### ELECTRICAL

POWER	9 WATTS
INPUT VOLTS	120V
INPUT CURRENT	0.075A
FREQUENCY	60Hz
DIMMING TYPE	TRIAC
DIMMING RANGE	10-100%
FEED WIRE GAUGE	18AWG
BREAKER SPECIFICATION *(15A @120V)	133pcs

\*Mathematically estimated value. Actual capacity may vary by breaker type and installation environment.

### PHOTOMETRIC

COLOR CCT	2700K/3000K/3500K/4000K/5000K
CRI	90
LUMEN	800lm
EFFICACY	88
BEAM ANGLE	60°

### CERTIFICATIONS & SAFETY

LR23467	ETL, TITLE 24
IP RATING	IP54 WET LOCATION
IC RATED	YES
AIR TIGHT	YES
OPERATING TEMP.	-4°F to 104°F
COST/YR	\$ 1.08
WARRANTY	5 YR

### MATERIAL & APPLICATION

HOUSING	ALUMINUM
HEAT SINK	DIE-CAST ALUMINUM
TRIM	ALUMINUM
LENS	PC ACRYLIC
CUTOUT	Ø2.12"
MOUNTING TYPE	RECESSED
AREA OF APPLICATION	RESIDENTIAL, COMMERCIAL
CEILING TYPE	DRYWALL, WOOD

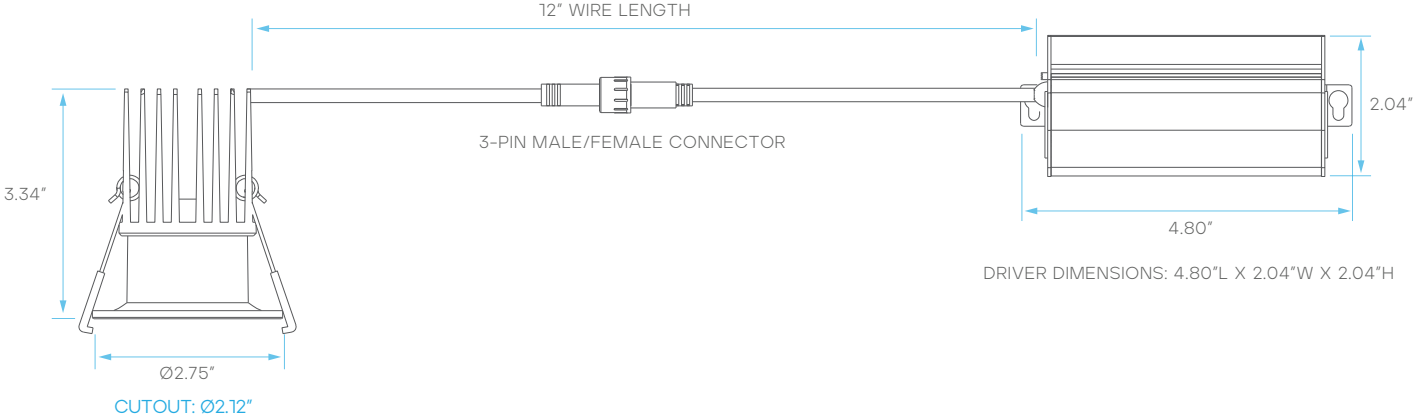
### DRIVER

	POWER	INPUT VOLTS	INPUT CURRENT	FREQUENCY	INPUT POWER	OUTPUT VOLTAGE	DIMENSIONS	KNOCKOUTS
INCLUDED DRIVER	9	120V	0.075A	60Hz	9W max	36V DC	4.80"L X 2.04"W X 2.04"H	2

MODEL	DESCRIPTION	EM POWER	INPUT VOLTS	INPUT CURRENT	FREQUENCY	INPUT POWER	OUTPUT VOLTAGE	RECHARGE TIME	EMERGENCY TIME
LR35126**	LED/EMR/15W/AC/SF/E	15	100-347V	100mA	50/60Hz	12W max	170V DC	24HR	90MINS

\*AMBIENT TEMPERATURE: 41°F ~ 122°F  
\*SOLD SEPARATELY

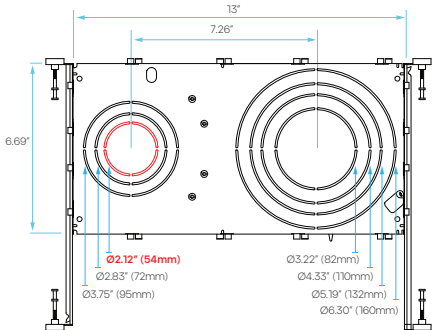
## DIMENSIONS



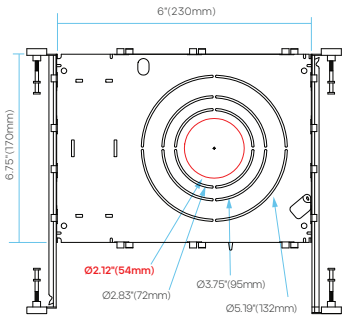
## PLATE COMPATIBILITY\*

\*SOLD SEPARATELY

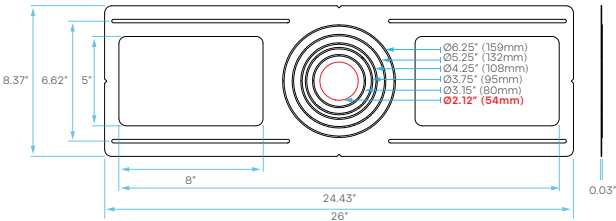
LR41010  
KNOCKOUT  
LO



LR41004  
KNOCKOUT  
O



LR41006  
KNOCKOUT  
O

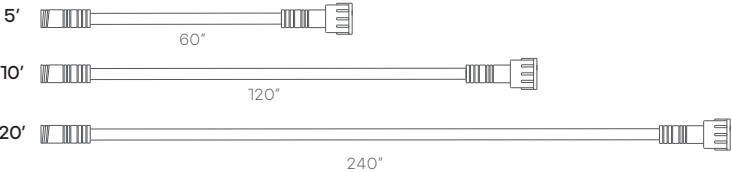


## WIRE EXTENDER OPTIONS

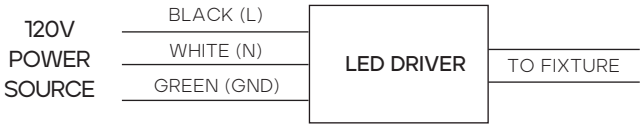
\*SOLD SEPARATELY



MODEL	TYPE	WIRE GAUGE
LR41051	5' - 3 PIN	22 AWG
LR41053	10' - 3 PIN	22 AWG
LR41055	20' - 3 PIN	22 AWG



## WIRING DIAGRAM



## SUGGESTED COMPATIBLE DIMMER\*

LUTRON	CTCL-153P
	DVCL-153PDH
LEVITON	DVCL-153P
	6672
PASS & SEYMOUR	6674
	HCL453PTCCCV6

\*Dimmer performance may vary based on load, wiring, and installation conditions. Inclusion on this chart does not guarantee compatibility for every installation, and omission does not indicate incompatibility. Refer to the dimmer manufacturer's installation instructions and verify minimum load requirements to avoid field issues

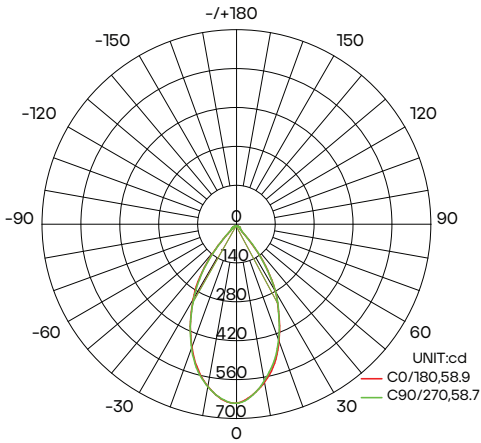
## PACKAGING

MODEL	STYLE	INNER BOX DIMENSIONS	MASTER CARTON DIMENSIONS	CASE	WEIGHT
LR23467	INNER BOX + MASTER CARTON	5.31" X 5.31" X 2.95"	16.54" X 11.22" X 9.84"	18	--lbs

## LuxiFlow™ PHOTOMETRICS

Luxrite® Luxiflow® tool is for informational purposes only, it is not intended to provide lighting or electrical advise.

### LUMINOUS INTENSITY DISTRIBUTION DIAGRAM



AVERAGE BEAM ANGLE(50%): 58.8 DEG

\*DIAGRAM SHOWING LR24925 AT 2700K - 9W

### C0 PLANE ISOLUX DIAGRAM (UNIT:lx)

