

# LUXRITE®

## LED CANLESS - SPOTLIGHT CINCINATTI COLLECTION



LR23320

3"



LR23321

3"



LR23322



LR23323



LR23325

4"



LR23326

4"



LR23327



LR23328

**CRI 90** **COLOR SELECTABLE** **DIMMABLE TRIAC** **IC RATED** **WET LOCATION RATED** **120V** **3 YEAR WARRANTY** **ETL LISTED** **Intertek**

2700K 3000K 3500K 4000K 5000K



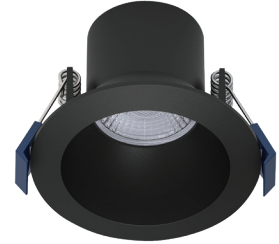
**LR23320**  
LED/RDL3/5CCT/RD/WT2



**LR23321**  
LED/RDL3/5CCT/RD/BK2



LR23320



LR23321

|              |                          |
|--------------|--------------------------|
| APERTURE     | 3"                       |
| DISTRIBUTION | FIXED                    |
| APPLICATION  | NEW CONSTRUCTION/REMODEL |

## ELECTRICAL

|                                      |         |
|--------------------------------------|---------|
| POWER                                | 8W      |
| INPUT VOLTS                          | 120V    |
| INPUT CURRENT                        | 0.70A   |
| FREQUENCY                            | 60Hz    |
| DIMMING TYPE                         | TRIAC   |
| DIMMING RANGE                        | 10-100% |
| FEED WIRE GAUGE                      | 22AWG   |
| BREAKER SPECIFICATION<br>(15A @120V) | 149pcs* |

\*Mathematically estimated value. Actual capacity may vary by breaker type and installation environment.

## PHOTOMETRIC

|            |                                     |
|------------|-------------------------------------|
| COLOR CCT  | 2700K/3000K/3500K/4000K/5000K       |
| CRI        | 90                                  |
| LUMEN      | LR23320: 840lm<br>LR23321: 640lm    |
| EFFICACY   | LR23320: 105lm/w<br>LR23321: 80lm/w |
| BEAM ANGLE | 45°                                 |

## CERTIFICATIONS & SAFETY

|                 |               |
|-----------------|---------------|
| LR23320         | ETL           |
| LR23321         | ETL           |
| IP RATING       | IP44          |
| WET LOCATION    | YES           |
| IC RATED        | YES           |
| AIR TIGHT       | YES           |
| OPERATING TEMP. | -4°F to 104°F |
| COST/YR         | \$ 0.96       |
| WARRANTY        | 3 YR          |

## MATERIAL & APPLICATION

|                     |                         |
|---------------------|-------------------------|
| HEAT SINK           | ALUMINUM                |
| TRIM                | ALUMINUM                |
| LENS                | PC                      |
| CUTOUT              | Ø3"                     |
| MOUNTING TYPE       | RECESSED                |
| AREA OF APPLICATION | RESIDENTIAL, COMMERCIAL |
| CEILING TYPE        | DRYWALL, WOOD           |

## DRIVER

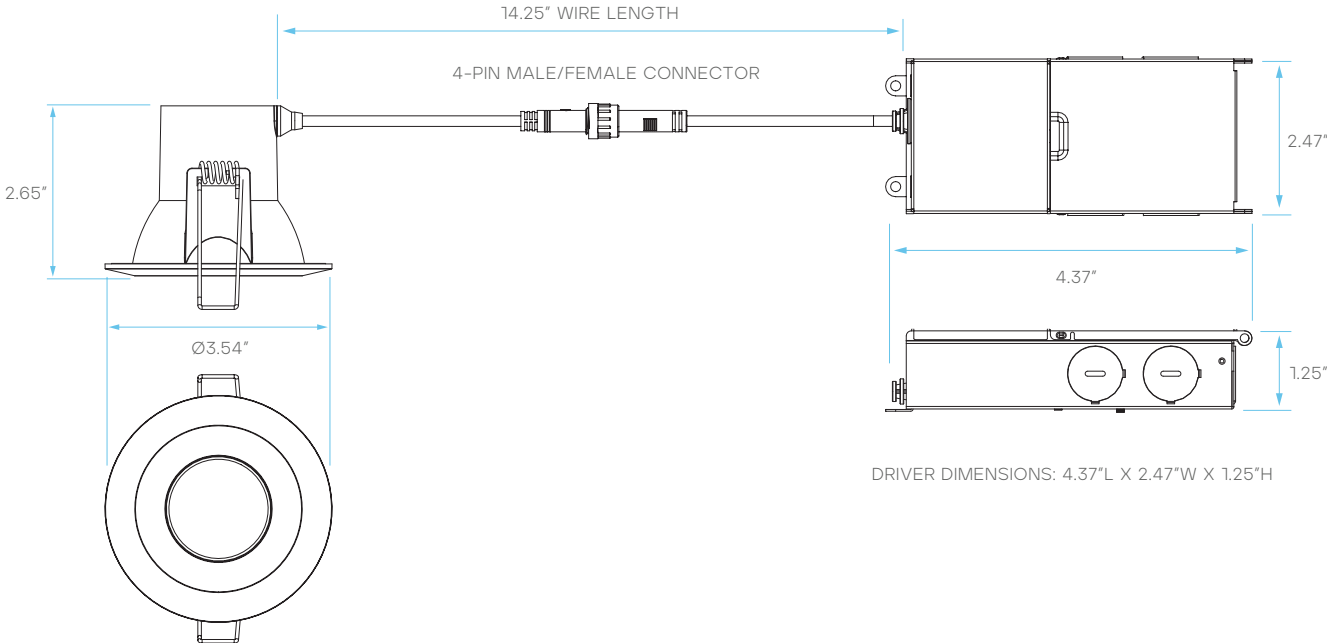
|                 | POWER | INPUT VOLTS | INPUT CURRENT | FREQUENCY | INPUT POWER | OUTPUT VOLTAGE | DIMENSIONS               | KNOCKOUTS |
|-----------------|-------|-------------|---------------|-----------|-------------|----------------|--------------------------|-----------|
| INCLUDED DRIVER | 8W    | 120V        | 0.70A         | 60Hz      | 8W max      | 36V DC         | 4.37"L X 2.47"W X 1.25"H | 4         |

| MODEL     | DESCRIPTION         | EM POWER | INPUT VOLTS | INPUT CURRENT | FREQUENCY | INPUT POWER | OUTPUT VOLTAGE | RECHARGE TIME | EMERGENCY TIME |
|-----------|---------------------|----------|-------------|---------------|-----------|-------------|----------------|---------------|----------------|
| LR35126** | LED/EMR/15W/AC/SF/E | 15       | 100-347V    | 100mA         | 50/60Hz   | 12W max     | 170V DC        | 24HR          | 90MINS         |

\*AMBIENT TEMPERATURE: 41°F ~ 122°F  
\*\*SOLD SEPARATELY

## DIMENSIONS

CUTOUT: Ø3"

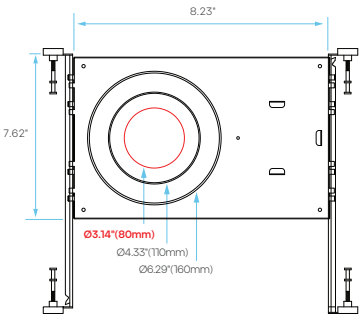


DRIVER DIMENSIONS: 4.37\"/>

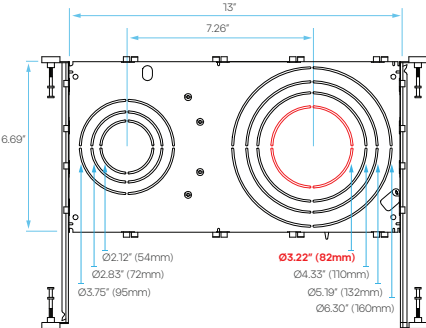
## PLATE COMPATIBILITY\*

\*SOLD SEPARATELY

**LR41002  
KNOCKOUT  
O**



**LR41010  
KNOCKOUT  
RO**



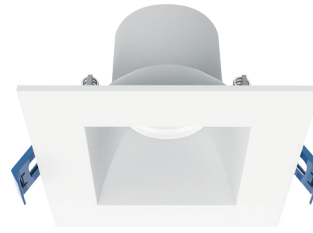
**LR23322**  
LED/RDL3/5CCT/SQ/WT2



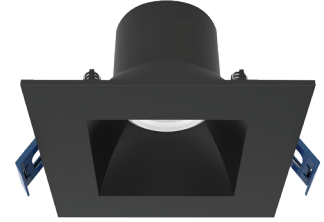
**LR23323**  
LED/RDL3/5CCT/SQ/BK2



|              |                          |
|--------------|--------------------------|
| APERTURE     | 3"                       |
| DISTRIBUTION | FIXED                    |
| APPLICATION  | NEW CONSTRUCTION/REMODEL |



LR23322



LR23323

## ELECTRICAL

|                                      |         |
|--------------------------------------|---------|
| POWER                                | 8W      |
| INPUT VOLTS                          | 120V    |
| INPUT CURRENT                        | 0.70A   |
| FREQUENCY                            | 60Hz    |
| DIMMING TYPE                         | TRIAC   |
| DIMMING RANGE                        | 10-100% |
| FEED WIRE GAUGE                      | 22AWG   |
| BREAKER SPECIFICATION<br>(15A @120V) | 149pcs* |

\*Mathematically estimated value. Actual capacity may vary by breaker type and installation environment.

## PHOTOMETRIC

|            |                               |
|------------|-------------------------------|
| COLOR CCT  | 2700K/3000K/3500K/4000K/5000K |
| CRI        | 90                            |
| LUMEN      | LR23322: 740lm                |
|            | LR23323: 530lm                |
| EFFICACY   | LR23322: 93lm/w               |
|            | LR23323: 66lm/w               |
| BEAM ANGLE | 45°                           |

## CERTIFICATIONS & SAFETY

|                 |               |
|-----------------|---------------|
| LR23322         | ETL           |
| LR23323         | ETL           |
| IP RATING       | IP44          |
| WET LOCATION    | YES           |
| IC RATED        | YES           |
| AIR TIGHT       | YES           |
| OPERATING TEMP. | -4°F to 104°F |
| COST/YR         | \$ 0.96       |
| WARRANTY        | 3 YR          |

## MATERIAL & APPLICATION

|                     |                         |
|---------------------|-------------------------|
| HEAT SINK           | ALUMINUM                |
| TRIM                | ALUMINUM                |
| LENS                | PC                      |
| CUTOUT              | Ø3"                     |
| MOUNTING TYPE       | RECESSED                |
| AREA OF APPLICATION | RESIDENTIAL, COMMERCIAL |
| CEILING TYPE        | DRYWALL, WOOD           |

## DRIVER

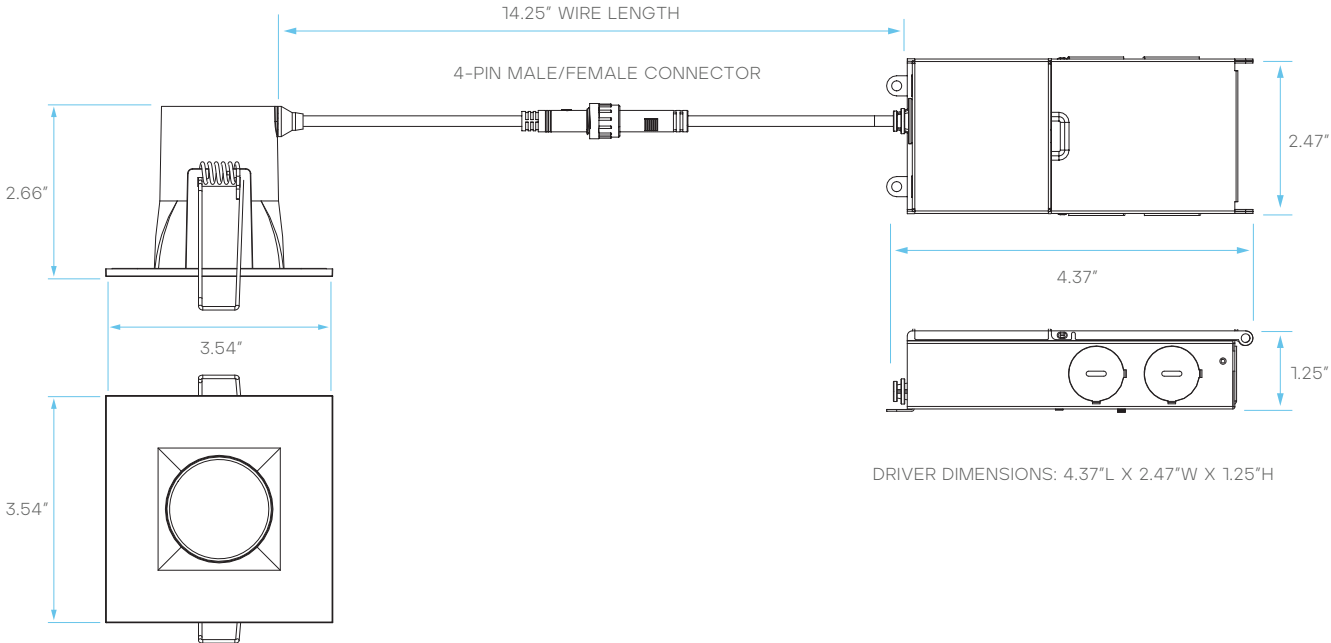
|                 | POWER | INPUT VOLTS | INPUT CURRENT | FREQUENCY | INPUT POWER | OUTPUT VOLTAGE | DIMENSIONS               | KNOCKOUTS |
|-----------------|-------|-------------|---------------|-----------|-------------|----------------|--------------------------|-----------|
| INCLUDED DRIVER | 8W    | 120V        | 0.70A         | 50/60Hz   | 8W max      | 36V DC         | 4.37"L X 2.47"W X 1.25"H | 4         |

| MODEL     | DESCRIPTION         | EM POWER | INPUT VOLTS | INPUT CURRENT | FREQUENCY | INPUT POWER | OUTPUT VOLTAGE | RECHARGE TIME | EMERGENCY TIME |
|-----------|---------------------|----------|-------------|---------------|-----------|-------------|----------------|---------------|----------------|
| LR35126** | LED/EMR/15W/AC/SF/E | 15       | 100-347V    | 100mA         | 50/60Hz   | 12W max     | 170V DC        | 24HR          | 90MINS         |

\*AMBIENT TEMPERATURE: 41°F ~ 122°F  
\*SOLD SEPARATELY

## DIMENSIONS

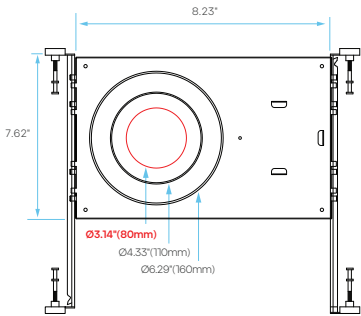
CUTOUT: Ø3"



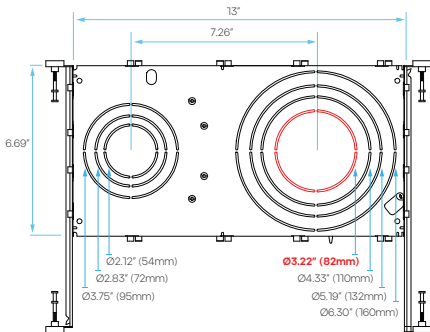
## PLATE COMPATIBILITY\*

\*SOLD SEPARATELY

LR41002  
KNOCKOUT  
O



LR41010  
KNOCKOUT  
RO





**LR23325**  
LED/RDL4/5CCT/RD/WT2



**LR23326**  
LED/RDL4/5CCT/RD/BK2



LR23325



LR23326

|              |                          |
|--------------|--------------------------|
| APERTURE     | 4"                       |
| DISTRIBUTION | FIXED                    |
| APPLICATION  | NEW CONSTRUCTION/REMODEL |

## ELECTRICAL

|                                      |         |
|--------------------------------------|---------|
| POWER                                | 12W     |
| INPUT VOLTS                          | 120V    |
| INPUT CURRENT                        | 0.10A   |
| FREQUENCY                            | 60Hz    |
| DIMMING TYPE                         | TRIAC   |
| DIMMING RANGE                        | 10-100% |
| FEED WIRE GAUGE                      | 22AWG   |
| BREAKER SPECIFICATION<br>(15A @120V) | 99pcs*  |

\*Mathematically estimated value. Actual capacity may vary by breaker type and installation environment.

## PHOTOMETRIC

|            |                               |
|------------|-------------------------------|
| COLOR CCT  | 2700K/3000K/3500K/4000K/5000K |
| CRI        | 90                            |
| LUMEN      | LR23325: 1160lm               |
|            | LR23326: 960lm                |
| EFFICACY   | LR23325: 97lm/w               |
|            | LR23326: 80lm/w               |
| BEAM ANGLE | 45°                           |

## CERTIFICATIONS & SAFETY

|                 |               |
|-----------------|---------------|
| LR23325         | ETL           |
| LR23326         | ETL           |
| IP RATING       | IP44          |
| WET LOCATION    | YES           |
| IC RATED        | YES           |
| AIR TIGHT       | YES           |
| OPERATING TEMP. | -4°F to 104°F |
| COST/YR         | \$ 1.44       |
| WARRANTY        | 3 YR          |

## MATERIAL & APPLICATION

|                     |                         |
|---------------------|-------------------------|
| HEAT SINK           | ALUMINUM                |
| TRIM                | ALUMINUM                |
| LENS                | PC                      |
| CUTOUT              | Ø4"                     |
| MOUNTING TYPE       | RECESSED                |
| AREA OF APPLICATION | RESIDENTIAL, COMMERCIAL |
| CEILING TYPE        | DRYWALL, WOOD           |

## DRIVER

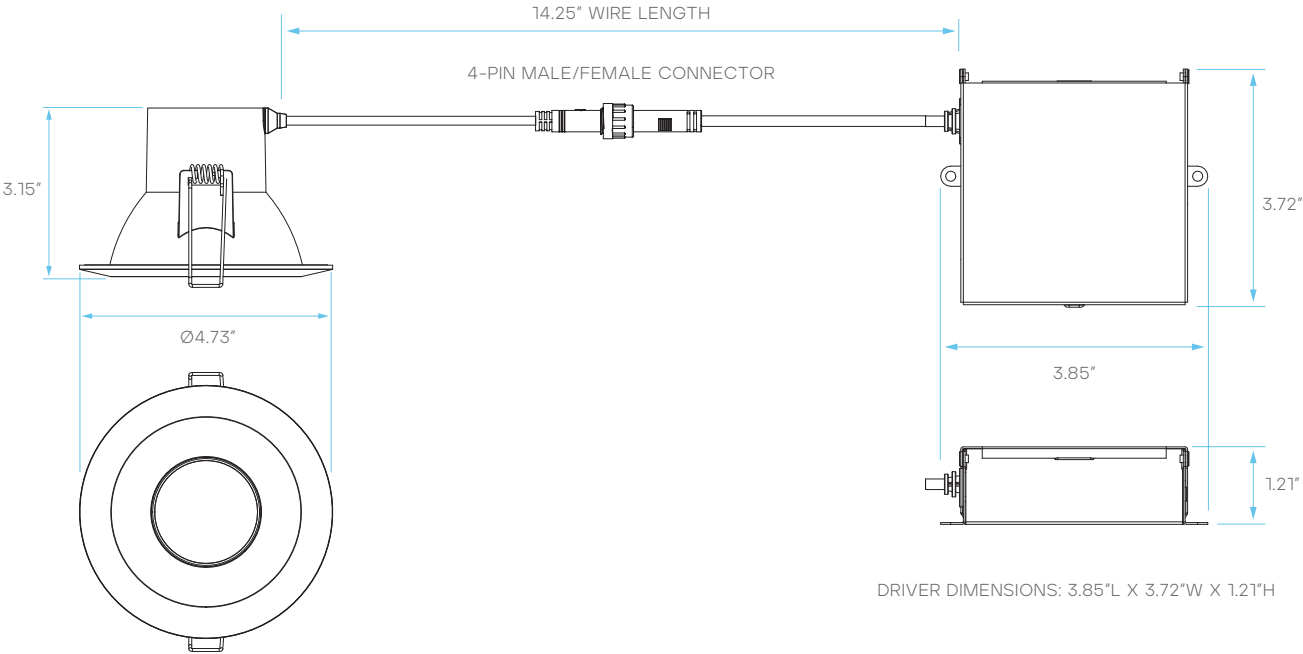
|                 | POWER | INPUT VOLTS | INPUT CURRENT | FREQUENCY | INPUT POWER | OUTPUT VOLTAGE | DIMENSIONS               | KNOCKOUTS |
|-----------------|-------|-------------|---------------|-----------|-------------|----------------|--------------------------|-----------|
| INCLUDED DRIVER | 12W   | 120V        | 0.10A         | 60Hz      | 8W max      | 36V DC         | 3.85"L X 3.72"W X 1.21"H | 4         |

| MODEL     | DESCRIPTION         | EM POWER | INPUT VOLTS | INPUT CURRENT | FREQUENCY | INPUT POWER | OUTPUT VOLTAGE | RECHARGE TIME | EMERGENCY TIME |
|-----------|---------------------|----------|-------------|---------------|-----------|-------------|----------------|---------------|----------------|
| LR35126** | LED/EMR/15W/AC/SF/E | 15       | 100-347V    | 100mA         | 50/60Hz   | 12W max     | 170V DC        | 24HR          | 90MINS         |

\*AMBIENT TEMPERATURE: 41°F ~ 122°F  
\*SOLD SEPARATELY

## DIMENSIONS

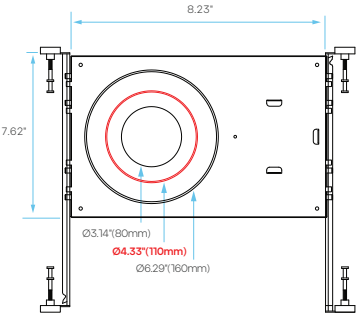
CUTOUT: Ø4"



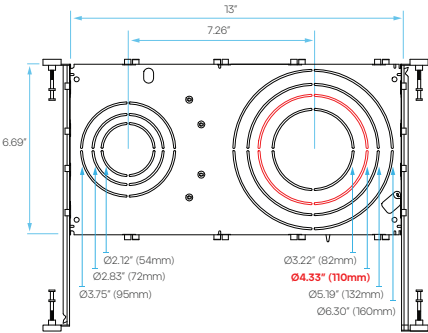
## PLATE COMPATIBILITY\*

\*SOLD SEPARATELY

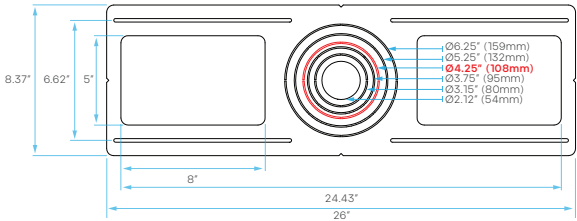
LR41002  
KNOCKOUT  
1



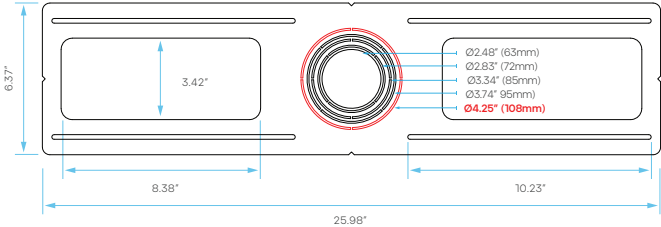
LR41010  
KNOCKOUT  
R1



LR41006  
KNOCKOUT  
3



LR41011  
KNOCKOUT  
4





**LR23327**  
LEDMTL2/6W/5CCT/BK/D



**LR23328**  
LEDMTL2/6W/5CCT/WT/D



LR23327

LR23328

|              |                          |
|--------------|--------------------------|
| APERTURE     | 4"                       |
| DISTRIBUTION | FIXED                    |
| APPLICATION  | NEW CONSTRUCTION/REMODEL |

## ELECTRICAL

|                                      |         |
|--------------------------------------|---------|
| POWER                                | 12W     |
| INPUT VOLTS                          | 120V    |
| INPUT CURRENT                        | 0.10A   |
| FREQUENCY                            | 60Hz    |
| DIMMING TYPE                         | TRIAC   |
| DIMMING RANGE                        | 10-100% |
| FEED WIRE GAUGE                      | 22AWG   |
| BREAKER SPECIFICATION<br>(15A @120V) | 99pcs*  |

\*Mathematically estimated value. Actual capacity may vary by breaker type and installation environment.

## PHOTOMETRIC

|            |                               |
|------------|-------------------------------|
| COLOR CCT  | 2700K/3000K/3500K/4000K/5000K |
| CRI        | 90                            |
| LUMEN      | LR23327: 1060lm               |
|            | LR23328: 840lm                |
| EFFICACY   | LR23327: 88lm/w               |
|            | LR23328: 70lm/w               |
| BEAM ANGLE | 45°                           |

## CERTIFICATIONS & SAFETY

|                 |               |
|-----------------|---------------|
| LR23327         | ETL           |
| LR23328         | ETL           |
| IP RATING       | IP44          |
| WET LOCATION    | YES           |
| IC RATED        | YES           |
| AIR TIGHT       | YES           |
| OPERATING TEMP. | -4°F to 104°F |
| COST/YR         | \$ 1.44       |
| WARRANTY        | 3 YR          |

## MATERIAL & APPLICATION

|                     |                         |
|---------------------|-------------------------|
| HEAT SINK           | ALUMINUM                |
| TRIM                | ALUMINUM                |
| LENS                | PC                      |
| CUTOUT              | Ø4"                     |
| MOUNTING TYPE       | RECESSED                |
| AREA OF APPLICATION | RESIDENTIAL, COMMERCIAL |
| CEILING TYPE        | DRYWALL, WOOD           |

## DRIVER

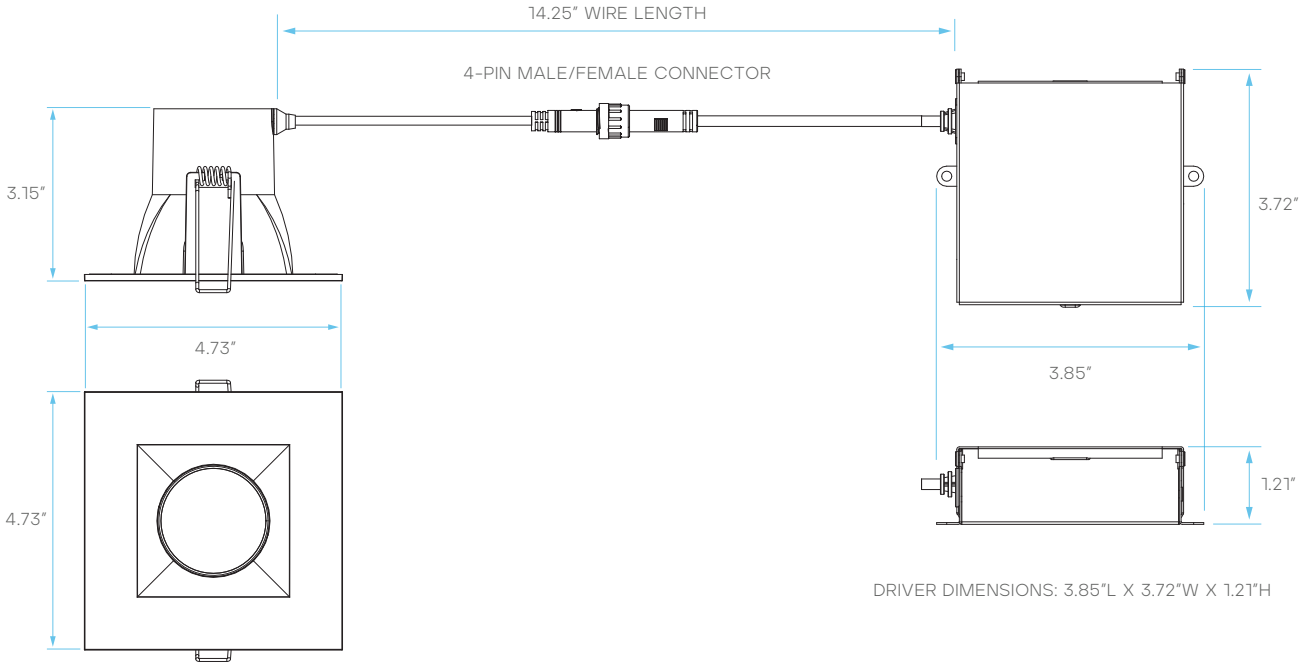
|                 | POWER | INPUT VOLTS | INPUT CURRENT | FREQUENCY | INPUT POWER | OUTPUT VOLTAGE | DIMENSIONS               | KNOCKOUTS |
|-----------------|-------|-------------|---------------|-----------|-------------|----------------|--------------------------|-----------|
| INCLUDED DRIVER | 12W   | 120V        | 0.10A         | 60Hz      | 8W max      | 36V DC         | 3.85"L X 3.72"W X 1.21"H | 4         |

| MODEL     | DESCRIPTION         | EM POWER | INPUT VOLTS | INPUT CURRENT | FREQUENCY | INPUT POWER | OUTPUT VOLTAGE | RECHARGE TIME | EMERGENCY TIME |
|-----------|---------------------|----------|-------------|---------------|-----------|-------------|----------------|---------------|----------------|
| LR35126** | LED/EMR/15W/AC/SF/E | 15       | 100-347V    | 100mA         | 50/60Hz   | 12W max     | 170V DC        | 24HR          | 90MINS         |

\*AMBIENT TEMPERATURE: 41°F ~ 122°F  
\*SOLD SEPARATELY

## DIMENSIONS

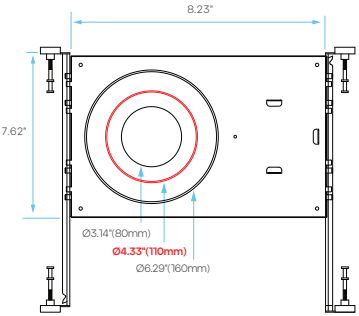
CUTOUT: Ø4"



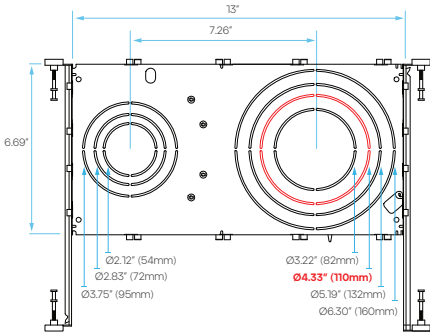
## PLATE COMPATIBILITY\*

\*SOLD SEPARATELY

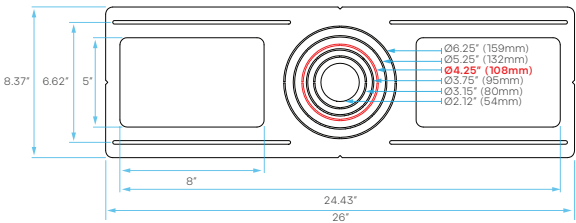
LR41002  
KNOCKOUT  
1



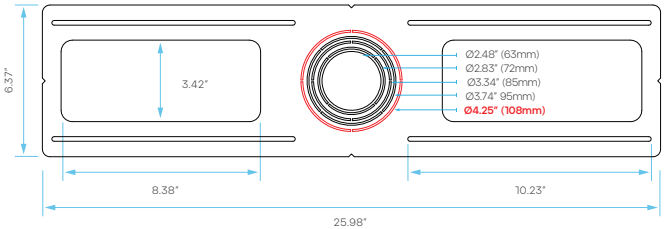
LR41010  
KNOCKOUT  
R1



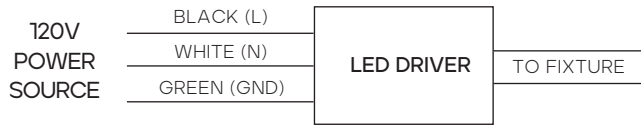
LR41006  
KNOCKOUT  
3



LR41011  
KNOCKOUT  
4



## WIRING DIAGRAM



## SUGGESTED COMPATIBLE DIMMER\*

|                |               |
|----------------|---------------|
| LUTRON         | CTCL-153P     |
|                | DVCL-153PDH   |
|                | DVCL-153P     |
| LEVITON        | 6672          |
|                | 6674          |
| PASS & SEYMOUR | HCL453PTCCCV6 |

\*Dimmer performance may vary based on load, wiring, and installation conditions. Inclusion on this chart does not guarantee compatibility for every installation, and omission does not indicate incompatibility. Refer to the dimmer manufacturer's installation instructions and verify minimum load requirements to avoid field issues.

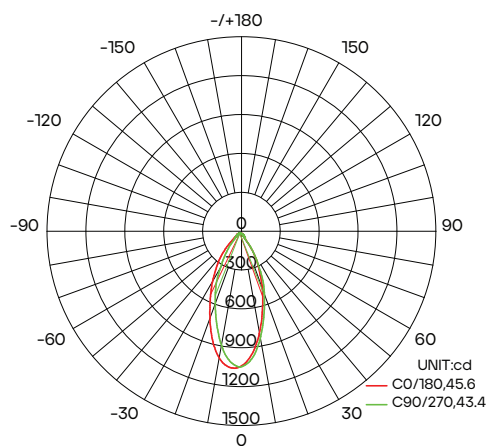
## PACKAGING

| MODEL   | STYLE                     | INNER BOX DIMENSIONS  | MASTER CARTON DIMENSIONS | CASE |
|---------|---------------------------|-----------------------|--------------------------|------|
| LR23220 | INNER BOX + MASTER CARTON | 5.59" X 3.74" X 4.60" | 17.51" X 15.95" X 9.84"  | 24   |
| LR23221 | INNER BOX + MASTER CARTON | 5.59" X 3.74" X 4.60" | 17.51" X 15.95" X 9.84"  | 24   |
| LR23222 | INNER BOX + MASTER CARTON | 5.59" X 3.74" X 4.60" | 17.51" X 15.95" X 9.84"  | 24   |
| LR23223 | INNER BOX + MASTER CARTON | 5.59" X 3.74" X 4.60" | 17.51" X 15.95" X 9.84"  | 24   |
| LR23225 | INNER BOX + MASTER CARTON | 4.92" X 4.92" X 5.31" | 20.67" X 15.55" X 11.42" | 24   |
| LR23226 | INNER BOX + MASTER CARTON | 4.92" X 4.92" X 5.31" | 20.67" X 15.55" X 11.42" | 24   |
| LR23227 | INNER BOX + MASTER CARTON | 5.43" X 4.92" X 5.31" | 20.67" X 17.13" X 11.42" | 24   |
| LR23228 | INNER BOX + MASTER CARTON | 5.43" X 4.92" X 5.31" | 20.67" X 17.13" X 11.42" | 24   |

## LuxiFlow™ PHOTOMETRICS

Luxrite® LuxiFlow® tool is for informational purposes only, it is not intended to provide lighting or electrical advice.

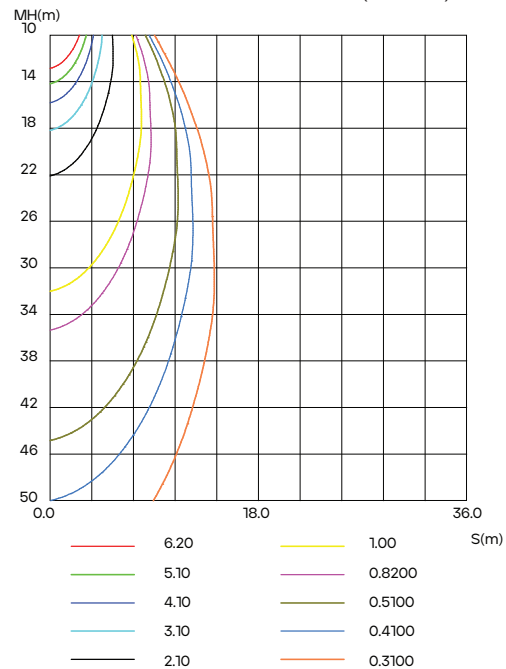
### LUMINOUS INTENSITY DISTRIBUTION DIAGRAM



AVERAGE BEAM ANGLE(50%): 44.5 DEG

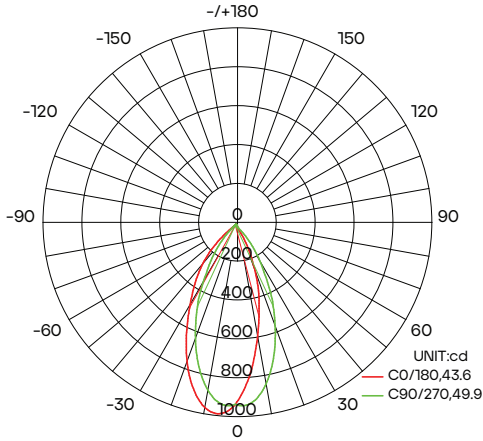
\*DIAGRAM SHOWING LR23320 AT 2700K

### C0 PLANE ISOLUX DIAGRAM (UNIT: lx)



Luxrite® Luxiflow® tool is for informational purposes only, it is not intended to provide lighting or electrical advise.

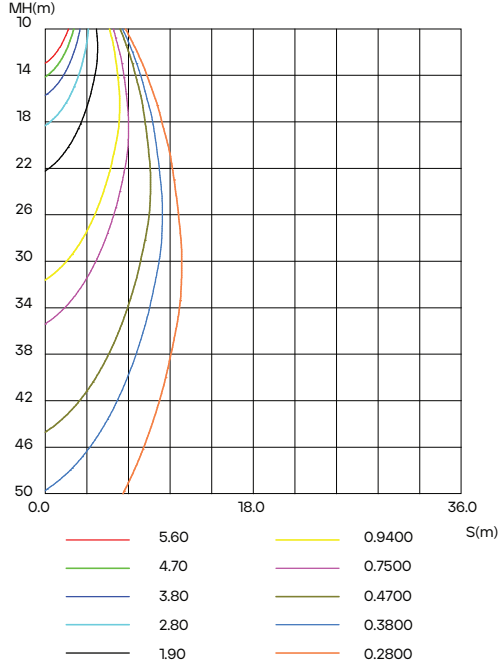
LUMINOUS INTENSITY DISTRIBUTION DIAGRAM



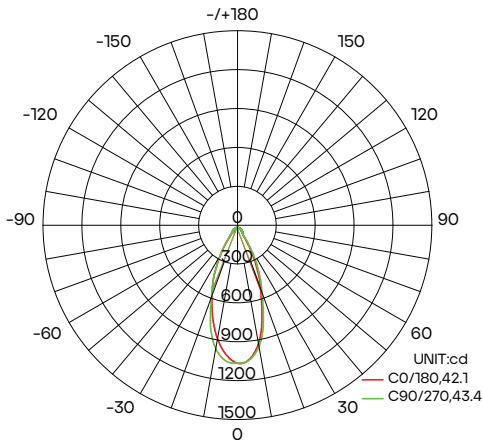
AVERAGE BEAM ANGLE(50%): 46.8 DEG

\*DIAGRAM SHOWING LR23321 AT 2700K

C0 PLANE ISOLUX DIAGRAM (UNIT: lx)



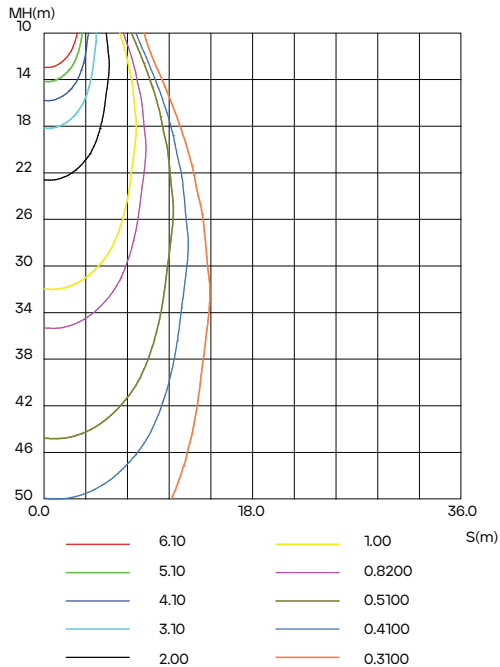
LUMINOUS INTENSITY DISTRIBUTION DIAGRAM



AVERAGE BEAM ANGLE(50%): 42.8 DEG

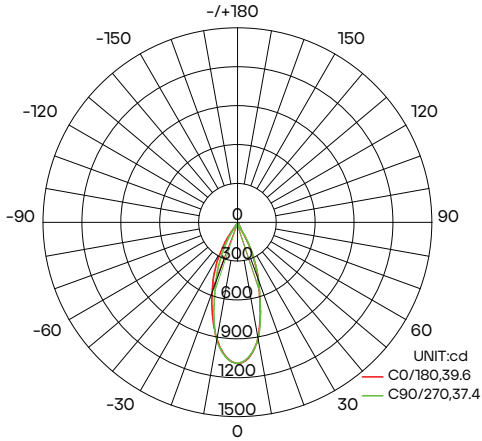
\*DIAGRAM SHOWING LR23322 AT 2700K

C0 PLANE ISOLUX DIAGRAM (UNIT: lx)



Luxrite® Luxiflow® tool is for informational purposes only, it is not intended to provide lighting or electrical advise.

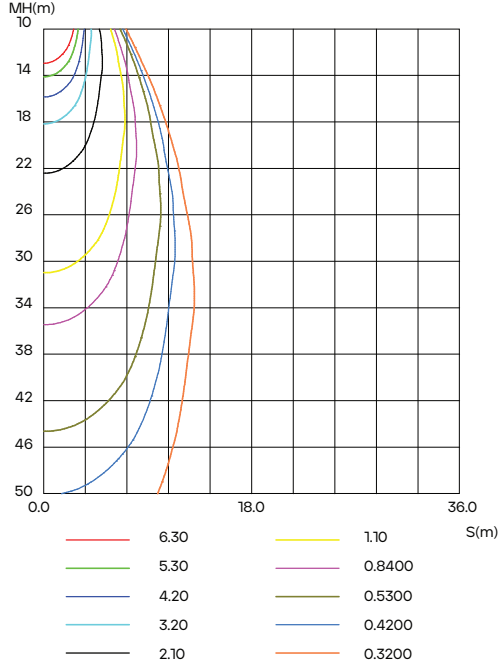
LUMINOUS INTENSITY DISTRIBUTION DIAGRAM



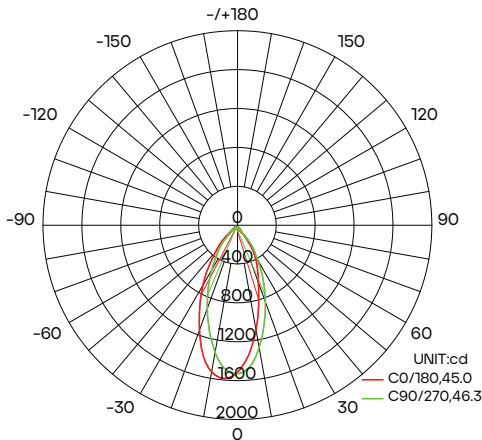
AVERAGE BEAM ANGLE(50%): 38.5 DEG

\*DIAGRAM SHOWING LR23323 AT 2700K

CO PLANE ISOLUX DIAGRAM (UNIT: lx)



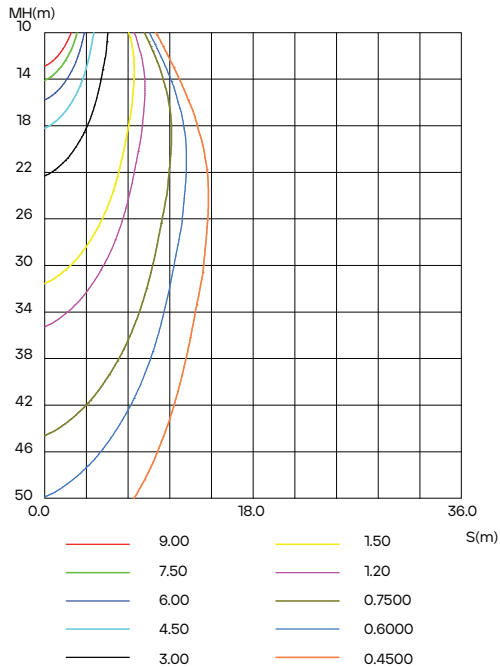
LUMINOUS INTENSITY DISTRIBUTION DIAGRAM



AVERAGE BEAM ANGLE(50%): 45.6 DEG

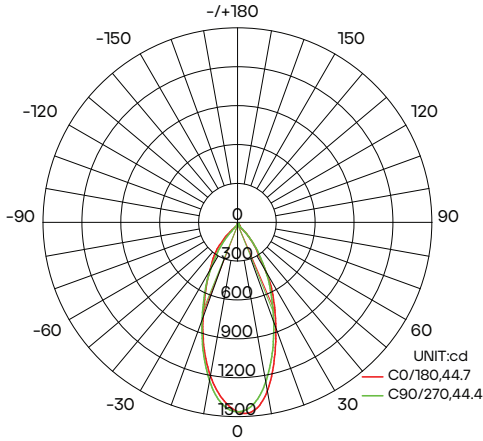
\*DIAGRAM SHOWING LR23325 AT 2700K

CO PLANE ISOLUX DIAGRAM (UNIT: lx)



Luxrite® Luxiflow® tool is for informational purposes only, it is not intended to provide lighting or electrical advise.

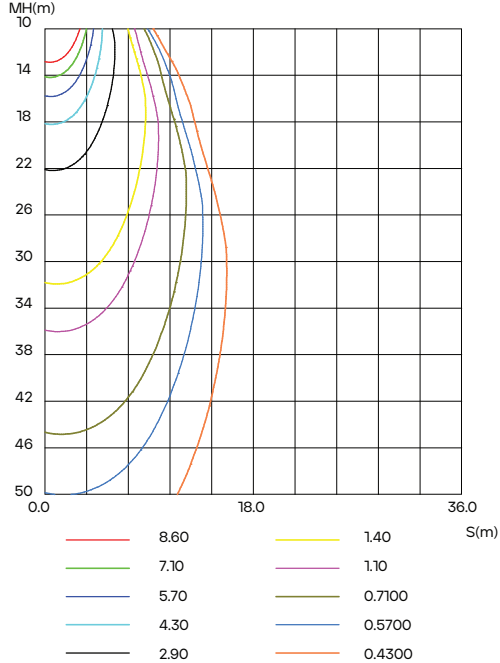
LUMINOUS INTENSITY DISTRIBUTION DIAGRAM



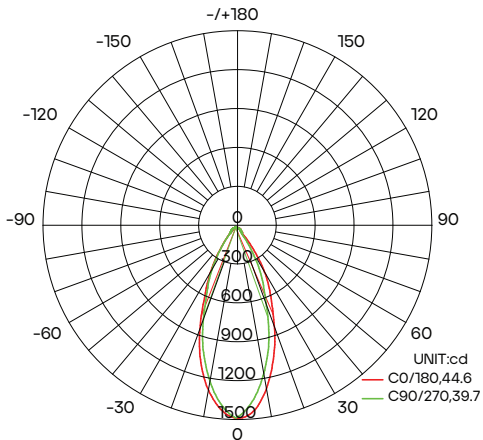
AVERAGE BEAM ANGLE(50%): 44.5 DEG

\*DIAGRAM SHOWING LR23326 AT 2700K

C0 PLANE ISOLUX DIAGRAM (UNIT: lx)



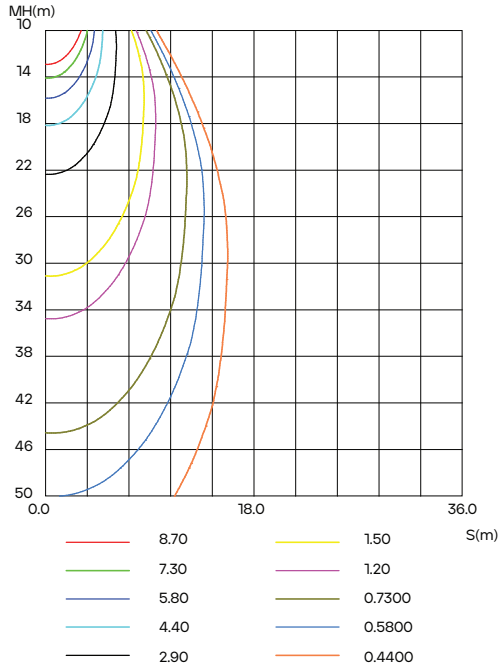
LUMINOUS INTENSITY DISTRIBUTION DIAGRAM



AVERAGE BEAM ANGLE(50%): 42.2 DEG

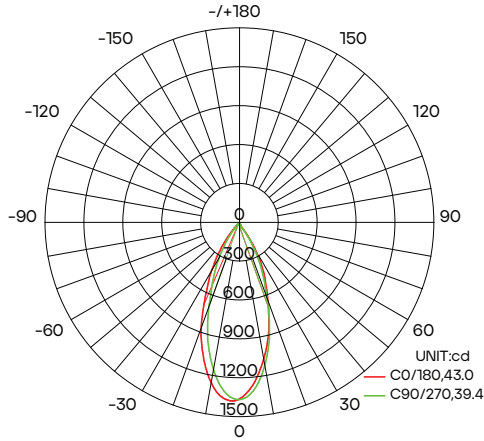
\*DIAGRAM SHOWING LR23327 AT 2700K

C0 PLANE ISOLUX DIAGRAM (UNIT: lx)



Luxrite® Luxiflow® tool is for informational purposes only, it is not intended to provide lighting or electrical advice.

LUMINOUS INTENSITY DISTRIBUTION DIAGRAM



AVERAGE BEAM ANGLE(50%): 41.2 DEG

\*DIAGRAM SHOWING LR23328 AT 2700K

C0 PLANE ISOLUX DIAGRAM (UNIT: lx)

