

Magnitude VersaDrive (96W)

1-Channel, Class 2
 5-Way Universal Dimming
 24V LED Driver

Specification Sheet

Key Features

- ▶ 5-way universal dimming
- ▶ Smooth flicker-free dimming, down to 1%
- ▶ Compatible with high density LED & COB products
- ▶ Universal input voltage – 120 to 277VAC
- ▶ Constant power overload protection
- ▶ Wire connectors pre-installed
- ▶ UL rated for wet locations
- ▶ 5-year warranty



Width	8.1" (206mm)
Overall Height	5.6" (142mm)
Height	4.3" (110mm)
Depth	1.7" (43mm)

Description: Constant voltage dimmable LED driver

Installation: Integrated junction box with multiple 7/8" knockouts

Driver Type: 1-Channel, Class 2

Dimming: 5-way dimming: forward phase (MLV), reverse phase (ELV), 0-10V, PWM, and potentiometer

Output Dimming Method: Uses Pulse Width Modulation (PWM)

Flicker: Meets California Title 24 / JA8

Input Voltage: Universal 120VAC to 277VAC, 50/60Hz

Output Voltage: 24VDC

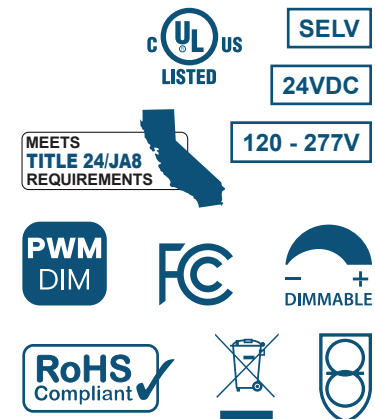
Wattage: 96W

Enclosure Rating: NEMA 3R

Listing: UL listed, wet location

Certifications: UL8750, FCC Consumer Limits (Class B)

Warranty: 5-Year



ORDERING GUIDE

1-Channel	Max Power	Listing	Output	Enclosure Type
VAD	96 – 96W	L – UL Listed	24DC – 24VDC	OD – NEMA 3R

Magnitude VersaDrive (96W)

1-Channel, Class 2
5-Way Universal Dimming
24V LED Driver

Specification Sheet

Customer Service

Phone: (714) 312-5080

Fax: (714) 312-5070

E-mail: CustomerCare@magnitudeinc.com

SPECIFICATIONS

Input	96W
Input Voltage Range	120 to 277VAC \pm 10%
Input Frequency	50 / 60Hz
Input Current	1.05A @ 120V, 0.45A @ 277V
Inrush Current	80A @ 277V
Efficiency	84% @120V, 87% @ 277V
Power Factor	277VAC, > 0.94 120VAC, > 0.94
THD	< 20%
Output	
Output Voltage	24VDC
Maximum Load	96W
Minimum Load	8W
Output Current @ Maximum Load	4.1A
Output Dimming Method	PWM
Flicker	California Title 24 / JA8
Output Ripple (Peak-to-Peak)	\leq 8%
Line Regulation	\pm 5%
Load Regulation	\pm 5%
Current Output Tolerance @ Maximum Load	N/A
Channel-to-Channel	N/A
Turn On Delay Time	< 0.5 sec
Environmental	
Ambient Operating Temperature	-40°C to 50°C (-40°F to 125°F)
Maximum Case Temp. (Tcase)	90°C (194°F)
Storage Temperature	-40°C to +85°C (-40°F to 185°F)
Enclosure	NEMA 3R Rated
Cover Screws	Stainless Steel
Expected Lifetime	\geq 80,000 hrs @Tc \leq 60°C
Dimming	
Dimming Style	Phase-Cut (120V) or 0-10V (120V to 277V)
Minimum Dimming Level	1%
Minimum Load for Dimming	8W
Dimming Curve	Linear
Compliance	0-10V Dimming Compliant with ANSI C137.1
Protection	
Over Current Protection	Yes
Over Voltage Protection	Yes
Over Temperature Protection	Yes / Auto-Recovery
Overload Protection	Yes / Current Limit
Short Circuit Protection	Yes / Auto-Recovery
Connectors	
Lever Style Connectors	Pre-installed, all wire leads
Connector Listing	UL

Magnitude VersaDrive (96W)

1-Channel, Class 2
5-Way Universal Dimming
24V LED Driver

Specification Sheet

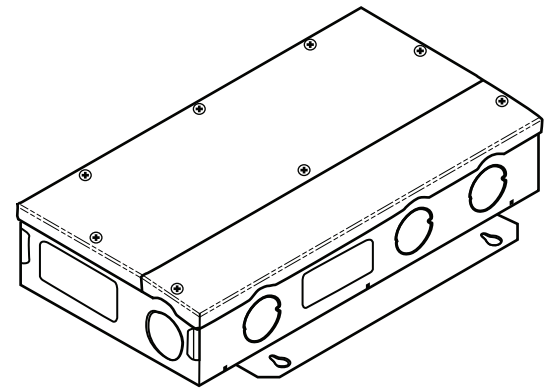
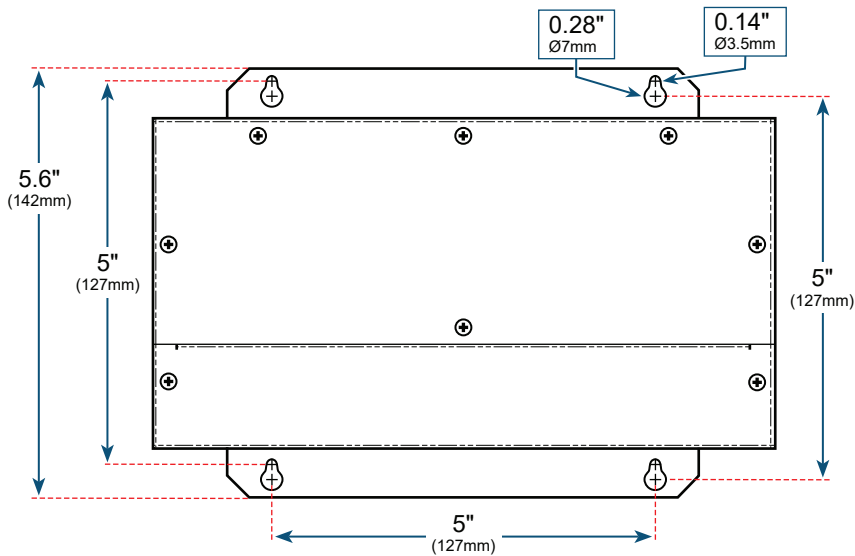
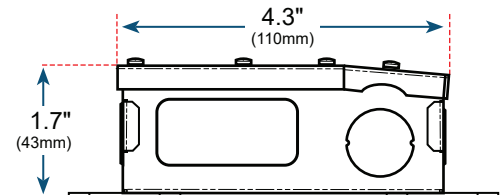
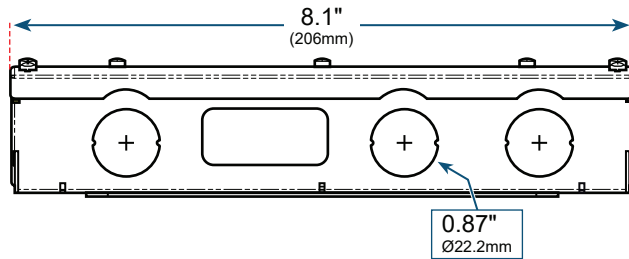
Customer Service

Phone: (714) 312-5080

Fax: (714) 312-5070

E-mail: CustomerCare@magnitudeinc.com

MECHANICAL DIAGRAMS



Magnitude VersaDrive (96W)

1-Channel, Class 2
5-Way Universal Dimming
24V LED Driver

Specification Sheet

Customer Service

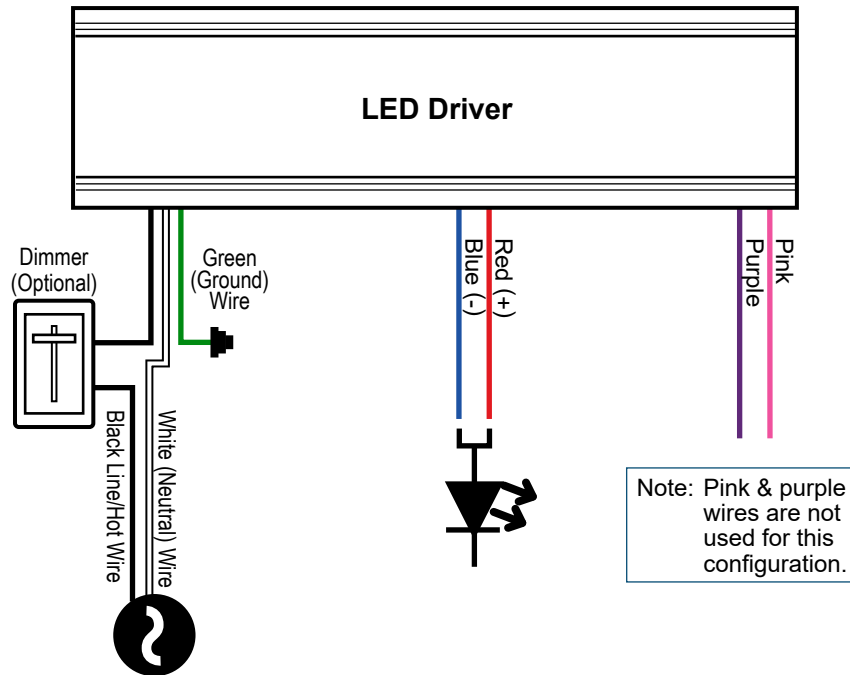
Phone: (714) 312-5080

Fax: (714) 312-5070

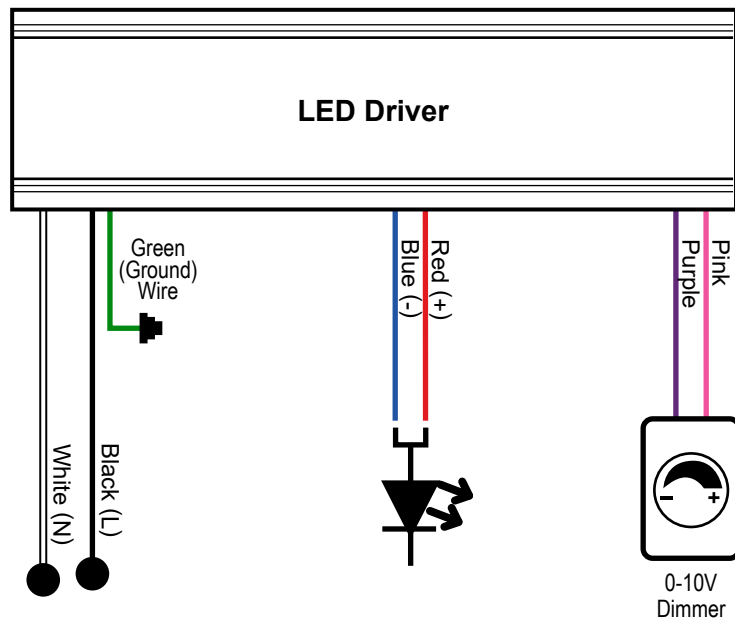
E-mail: CustomerCare@magnitudeinc.com

WIRING DIAGRAMS

↓ Phase-Cut Dimmable Configuration ↓



↓ 0-10V Dimmable Configuration ↓



Magnitude VersaDrive (96W)

1-Channel, Class 2
5-Way Universal Dimming
24V LED Driver

Specification Sheet

Customer Service

Phone: (714) 312-5080

Fax: (714) 312-5070

E-mail: CustomerCare@magnitudeinc.com

WIRING DIAGRAMS *(Continued)*

↓ Potentiometer Dimmable Configuration ↓

