

Bluetooth™
CONTROLS READY



JADLR SERIES

4FT & 8FT RECESSED

ARCHITECTURAL LINEAR WITH CCT & POWER SELECTABLE OPTION

PRODUCT DESCRIPTION

Introducing the groundbreaking JADLR series, a game-changer in the world of lighting solutions. With popular options in 4" and 6" widths and lengths stretching up to 8 feet, this series brings an unparalleled level of performance to a wide range of applications. For those grappling with inventory management challenges, the JADLR series offers a lifeline through its innovative wattage adjustability and CCT selection technology, enabling you to streamline operations with fewer SKUs.

Versatility is a hallmark of the JADLR series, as it seamlessly adapts to most ceiling types. Whether you're outfitting offices, schools, hospitals, corridors, light industrial spaces, or any setting where sleek, sophisticated lighting is sought, JADLR is your go-to choice.

STANDARD FEATURES

Construction and Materials

- Extruded aluminum housing
- Ultra-thin profile 0.59" (15mm)

Optical System

- Light Distribution: 120°

Electrical System

- Power: 4" (10W/7.5W/5W) and 6" (10)
- Input Voltage: 120-277VAC
- Efficacy: 138 lm/W
- Power Factor: >0.9
- CRI: >80
- Operating Temp: -40°F to 113°F (-40°C to 45°C)
- Total Harmonic Distortion: <15%
- Integral Surge Protection: 6kV Surge Protection Standard

Dimming and Controls

- 0-10V Dimming Standard

Certifications and Compliance

- UL Listed
- Ingress Protection: IP66 for Wet Locations
- RoHS Compliant
- Meets FCC Part 15, Subpart B, Class A limits for conducted and radiated Emissions

Lifetime Based on TM21: L70 ≥ 150,000 / L80 ≥ 120,000 / L90 ≥ 61,000 Hrs

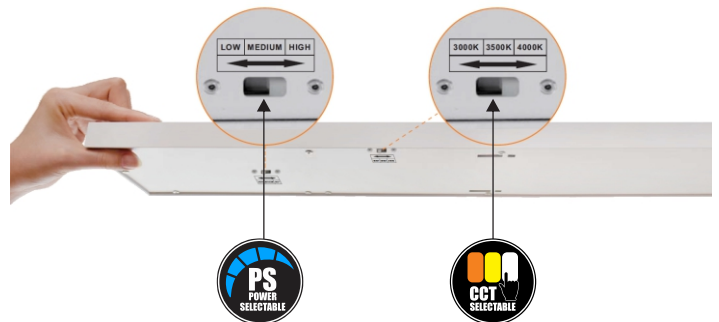
OPTIONAL FEATURES

- Bi-level Microwave Occupancy/Motion Sensor
- 3-Pin Photocell Receptacle
- Single or Double Arm Mounting
- Synapse DLC Listed Wireless Lighting Control System
- CASAMBI Bluetooth Wireless Lighting Control System
- TruBlu/Silvair DLC Listed SIG Certified Wireless Lighting Control System
- Custom Colors as Special Order - Identify RAL Color Code on order

PERFORMANCE SUMMARY

Sizes:	4FT Model (4' x 4" / 4' x 6") 8FT Model (8' x 4" / 8' x 6")
Wattage:	4FT Model (40W/30W/20W) / 8FT Model (80W)
Input Voltage:	120-277VAC
CCT Selectable:	3000K / 3500K / 4000K
CRI Options:	>80 CRI Standard / 90+ CRI Optional
Controls & Dimming:	0-10V Dimming and Bluetooth® Enabled
Mounting Options:	4" & 6" T-Grid Recessed
Lifetime Based on TM21:	L70 @ 158,000 Hrs.
Warranty:	10 Years

CERTIFICATIONS

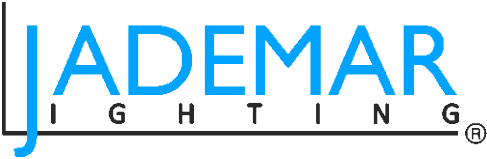


Miami, FL USA - info@jademar.com
T: 305.640.0465 - F: 305.640.0468
WWW.JADEMAR.COM



Information contained herein is subject to change without notice.
Values are nominal.
Revised 04/2024

SPECIFICATION SUBMITTAL DETAIL



PROJECT NAME:	
MODEL NUMBER:	
DATE:	

JADLR SERIES 4FT & 8FT T-GRID RECESSED MOUNTED ARCHITECTURAL LINEAR

Ordering Information / Example: **JADLR-44-40W-CPS-D-EM15**

Product Series	Size	Wattage	CCT	CRI	Dimming	Controls Options*	Emergency BB Unit
JADLR	44 4' x 4"	40W Power Selectable: 40W/30W/20W	CPS CCT Selectable: 3000K/3500K/4000K	Blank 80 CRI (Standard) 90 90 CRI	D 0-10V Dimming (Standard) 1PD 1% Dimming Driver Option	Blank No Sensor JICS-BT-SC Built-In Bluetooth® Controller CB-NLC CASAMBI Bluetooth® Network Lighting Control System SR-NLC TruBlu/Silvair Bluetooth® Network Lighting Control System	EM8 8W EM Battery Pack 720 lm
	46 4' x 6"						EM15 15W EM Battery Pack 1350 lm
JADLR	84 8' x 4"	80W Power Static 80W	CS CCT Selectable: 3000K/3500K/4000K				
	86 8' x 6"						

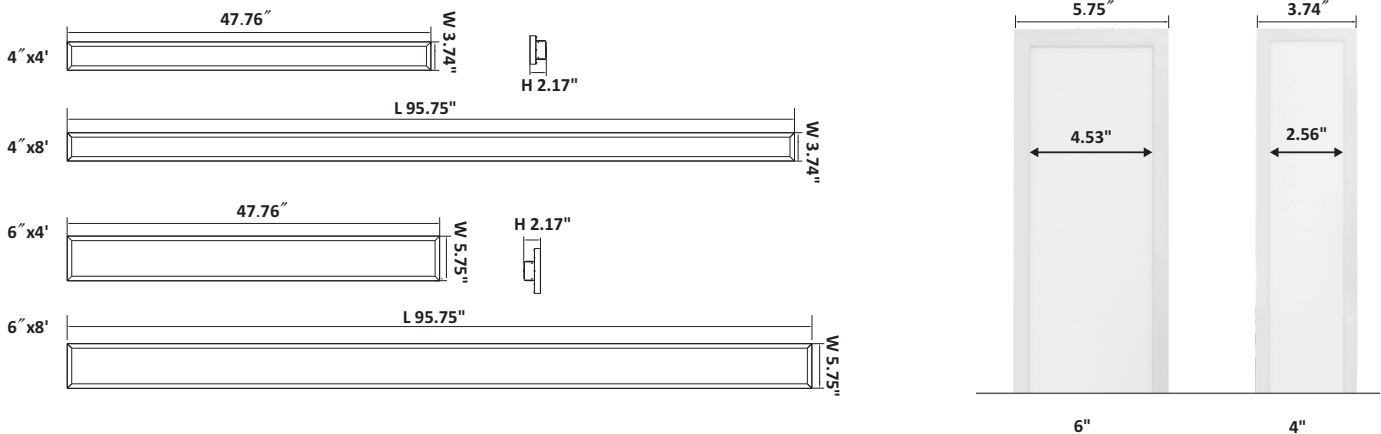
* For Field Installed Sensors and Other Control Options, please consult with your sales representative

LUMEN PERFORMANCE AND ELECTRICAL DATA

Model Numbers	JADLR-44			JADLR-46			JADLR-84			JADLR-86		
Sizes	47.8" X 3.7" X 2.2"			47.8" X 5.8" X 2.2"			95.8" X 3.7" X 2.2"			95.8" X 5.8" X 2.2"		
Selectable CCT	3000K	3500K	4000K	3000K	3500K	4000K	3000K	3500K	4000K	3000K	3500K	4000K
Nominal Wattage	40W			40W			80W			80W		
Lumen Output (Lms)	3372	3490	3513	3840	3960	4240	6744	6980	7026	7660	7928	8482
Average Efficacy (lms/W)	84	87	88	96	99	106	84	87	88	96	99	106
Nominal Wattage	30W			30W								
Lumen Output (Lms)	2520	2610	2740	2880	2970	3180						
Average Efficacy (lms/W)	63	65	69	72	74	80						
Nominal Wattage	20W			20W								
Lumen Output (Lms)	1680	1740	1760	1920	1980	2120						
Average Efficacy (lms/W)	42	44	44	48	50	53						
Input Voltage	120-277VAC											
THD	<15%											
CRI	>80 Standard / >90 Optional (Special Order)											
Dimming & Controls	0-10V Dimming (Standard) / Bi-Level Microwave Occupancy Sensor & Built-In Bluetooth Controller System Options											
Ambient Temperature	-35°C ~ 45°C (-31°F ~ 113°F)											
Certifications & Compliance	FCC/UL Listed											
Lifetime	L70 @ 158,000 Hrs.											
Limited Warranty	10 Years											

*Lumen values based on 80CRI, please use -6% factor for 90CRI

PRODUCT DIMENSIONS

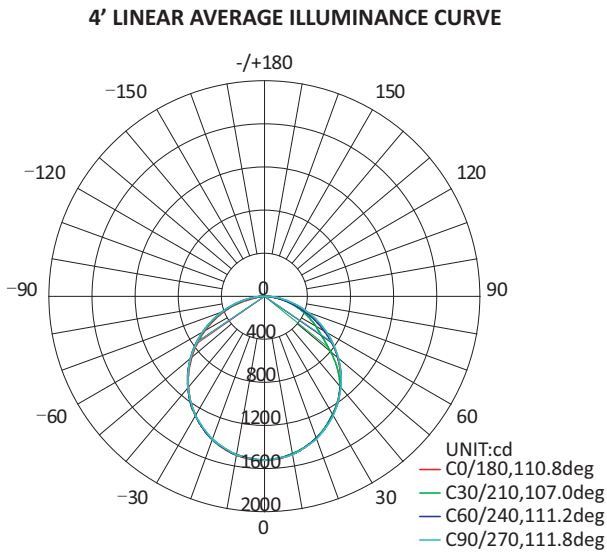


Miami, FL USA - info@jademar.com
 T: 305.640.0465 - F: 305.640.0468
WWW.JADEMAR.COM

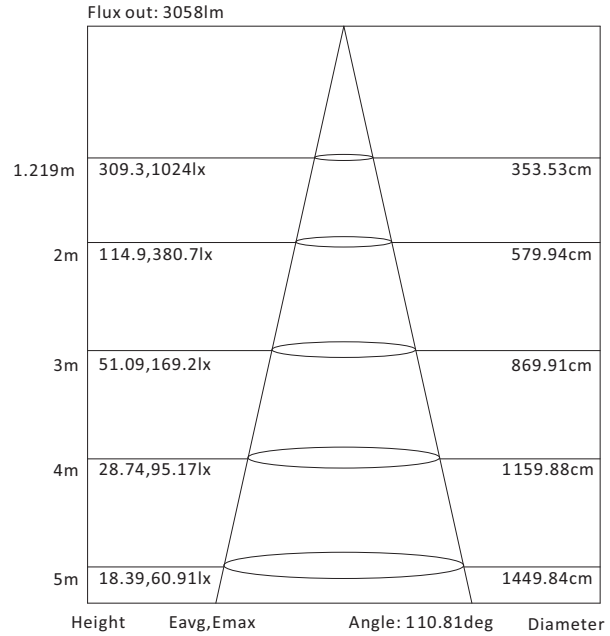


Information contained herein is subject to change without notice.
 Values are nominal.
 Revised 04/2024

PHOTOMETRIC DATA



Average beam angle(50%): 110.2 deg



Note: The Curves indicate the illuminated area and the average illumination when the luminaire is at different distance.

