

2x2 & 2x4 Center Basket Troffers



2X2



2X4

Detail Specification:

- Finish: White
- IP Rating: Damp Location (IP44)
- Beam Angle: 110°
- Material: PC
- Chip: SMD 2835, R9 >50, CRI >80
- Optional CRI >90 chip available
- Operating Temperature: -40° - 114° F
- Lens: Frosted, non-yellowing
- Average life (L70) of 50,000 hours

Applications:

- General Indoor Lighting
- Fluorescent Troffer Replacement
- Utility & Storage
- Garage Structures
- Office and Meeting Rooms
- Education, Healthcare, Retail, Hospitality
- Commercial and Industrial

Product Information:

- Aluminum housing finished with corrosion free power coat
- Even light distribution
- Lightweight for easier installation
- Select-n-Switch Technology: 4-CCT + 4-Power Selectable

Driver Options:

- UNV: 120-277V 0-10V Dimmable
- THD: <20% (+/-5% tolerance), PF >0.9, 50/60Hz
- Isolated Driver
- Flicker Free

Mounting & Installation:

- Replace existing fluorescent 2x2 & 2x4 fixtures
- See installation guide for full details

Certifications:

- UL Listed for USA and CA
- DLC Premium Listed
- 2X2 Product ID: P29092FQ
- 2X4 Product ID: PYC52BGJ
- Approved for CA T24
- 5 Year Limited Warranty
- FCC CFR 47, GCC Part 15, Subpart B:2017

LED-CBT-2X2-PC-CCT-HL

WATT	LUMENS
20	2,600
25	3,250
30	3,900
35	4,550

LED-CBT-2X4-PC-CCT-HL

WATT	LUMENS
35	4,550
40	5,200
45	5,850
50	6,500

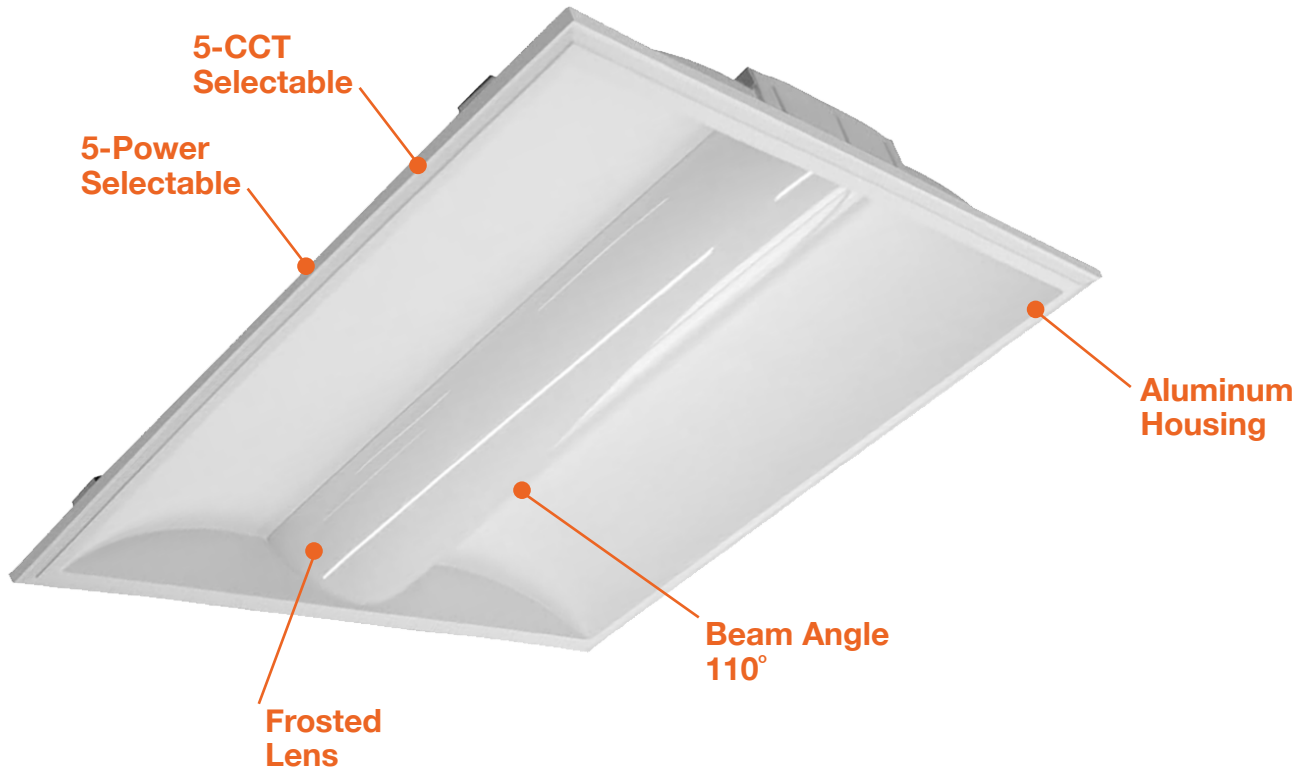
Item	Emergency	CRI
LED-CBT-2X2-PC-CCT-HL	(Blank)	(Blank)
LED-CBT-2X4-PC-CCT-HL	No Emergency Backup EMB Emergency Backup	>80 -90CRI

**Optional Accessories
(Order Separately)**

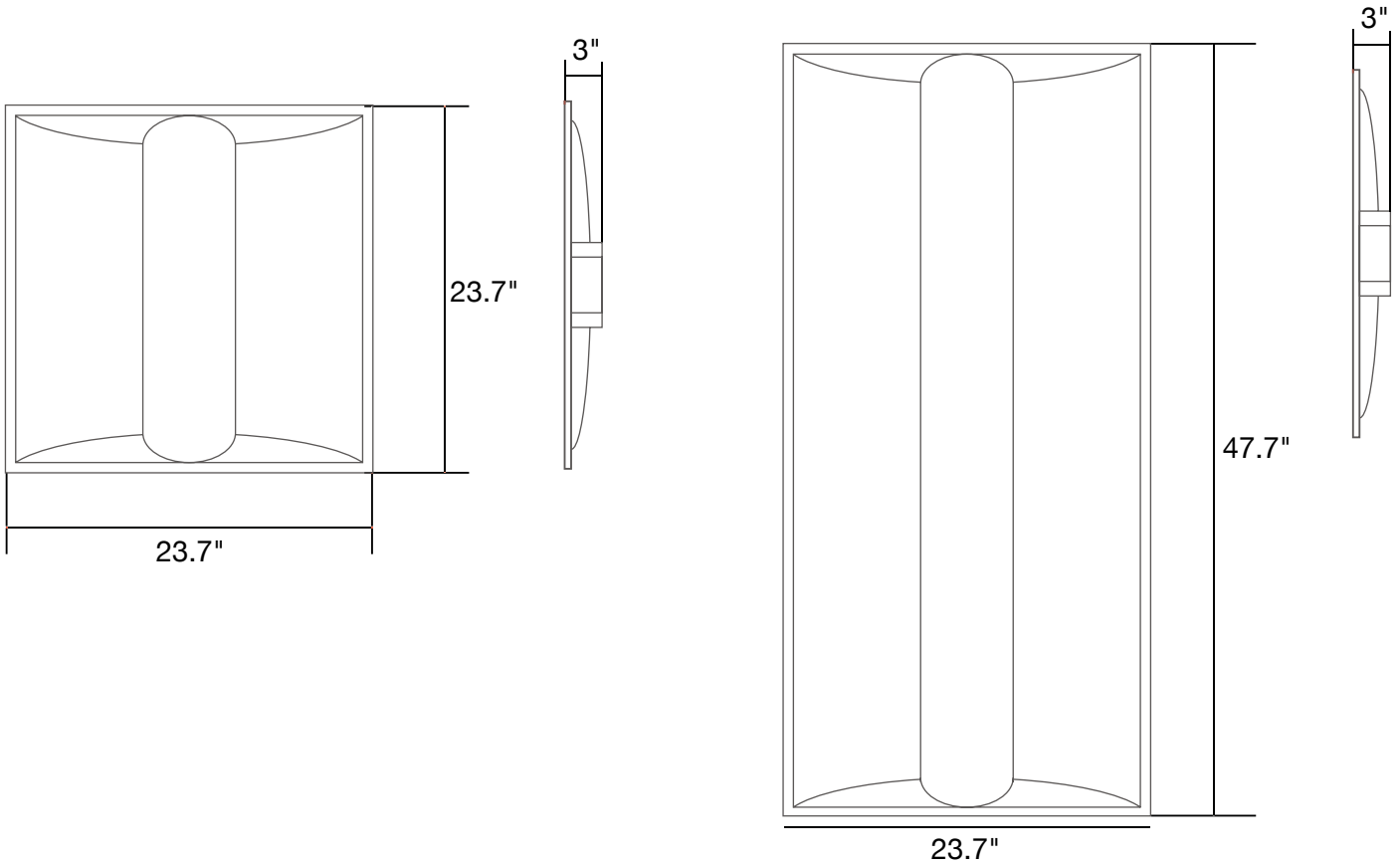
Suspension Kits	Surface Mount Kits	Drywall Kits
SK-10FT-Y-LC-CB	2X2-SM-3"	LED-PNL-2X2-FLNG
10' Suspension Kit	3" Height	Drywall Kit
SK-20FT-Y-LC-CB	2X4-SM-3"	LED-PNL-2X4-FLNG
20' Suspension Kit	3" Height	Drywall Kit
CK-6FT-V		
6' Chain Hanging Kit		

1. Custom height options available. Contact us.

Specs and model numbers are subject to change with or without notice. Customization of product is available.



DIMENSIONS

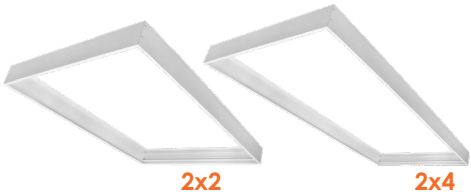


ACCESSORIES



SK-10FT-Y-LC-CB
SK-20FT-Y-LC-CB

CK-6FT-V



2x2

2x4



2x2

2x4

TROFFERS

Fixture Model	Voltage	Watts	Lumens	Color	CRI
LED-CBT-2X2-PC-CCT-HL	120-277V	35/30/25/20w	4,550/3,900/3,250/2,600	30/35/ 40/50k	>80
LED-CBT-2X4-PC-CCT-HL	120-277V	50/45/40/35w	6,500/5,850/5,200/4,550	30/35/ 40/50k	>80

SUSPENSION KITS

Accessory	Description
SK-10FT-Y-LC-CB	10' Suspension Kit
SK-20FT-Y-LC-CB	20' Chain Hanging Kit
CK-6FT-V	6' Chain Hanging Kit

SURFACE MOUNT KITS

Accessory	Description
2X2-SM-3"	2X2 Surface Mount Kit 3" Height for all Panels and Troffers
2X4-SM-3"	2X4 Surface Mount Kit 3" Height for all Panels and Troffers

DRYWALL KITS

Accessory	Description
LED-PNL-2X2-FLNG	Flange (Drywall) Kit for Panels for all 2X2 Fixtures
LED-PNL-2X4-FLNG	Flange (Drywall) Kit for Panels for all 2X4 Fixtures