



# KT-EM-STNC1-WHWL-SU-XX

## EMERGENCY LIGHT

### DESCRIPTION

Emergency Light | Dual Heads | Chicago & NYC Compliant |  
 White Finish | 6500K White Light | Surface Mount |  
 Battery Backup | Built-in Test Switch | 120-277V Input |  
 High Lumen Output Option Available

### APPLICATION

UL 924 Compliant Emergency Light Rated for Damp Locations, New York City and Chicago Code Compliant. Provides 90 Minutes of Emergency Power.



### PRODUCT FEATURES

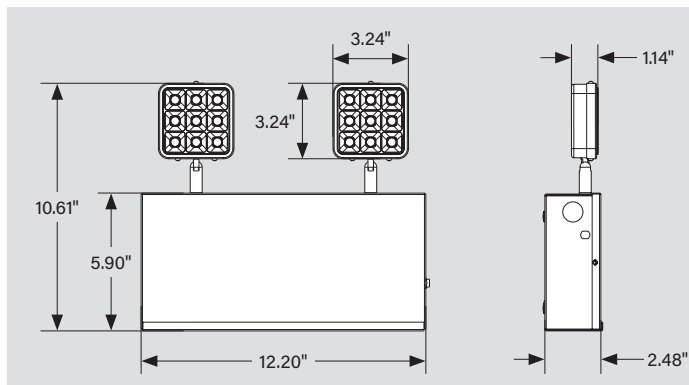
- 6500K White Light Dual Heads
- Surface Mount - Back
- Integrated Backup Battery
- 90 Minutes of Emergency Power
- Integrated Test Switch & Charge Indicator
- New York City & Chicago Code Compliant Design
- 20-Gauge Steel Housing
- Ambient Operating Temperature: 0°C/32°F to 40°C/104°F
- UL Certified for Damp Locations
- Universal J-Box Mounting Pattern

### PERFORMANCE SPECIFICATIONS

Catalog Number	Input Voltage	Input Power	CCT	Lumens	Housing Color	Mounting	Battery Type	Battery Capacity	Recharge Time	Remote Capable
KT-EM-STNC1-WHWL-SU	120-277V	4.5W	6500K	400	White	Surface: Back Mount	Nickel-Metal Hydride	900mAh	24 Hours	No
KT-EM-STNC1-WHWL-SU-HO				800				1500mAh		

\* See Ordering Information and Catalog Number Breakdown for more details.

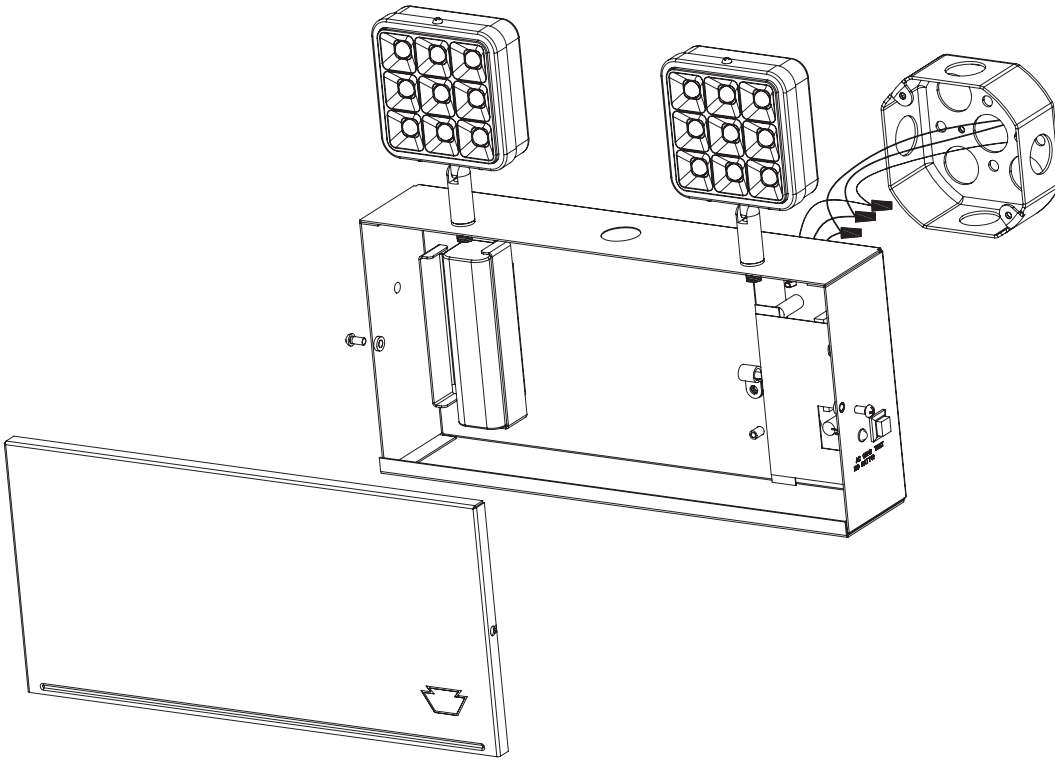
### PHYSICAL SPECIFICATIONS



### Weight

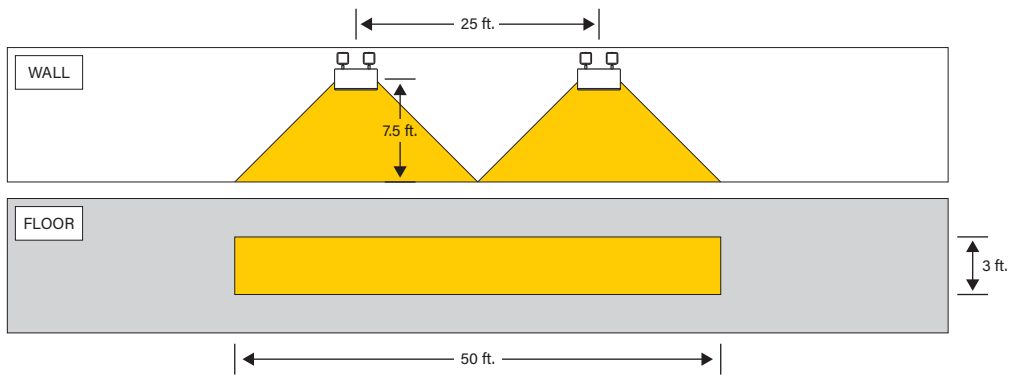
Catalog Number	Fixture Weight	Carton Weight
KT-EM-STNC1-WHWL-SU	4.2 lbs	20.3 lbs
KT-EM-STNC1-WHWL-SU-HO	4.3 lbs	20.6 lbs

**KT-EM-STNC1-WHWL-SU-XX**  
EMERGENCY LIGHT



**SPACING GUIDELINES**

**KT-EM-STNC1-WHWL-SU**



Multiple Unit Spacing	
Room Description	8' x 12' Hallway
Head Orientation	45° Rotation, 55° Tilt
Path of Egress	3' Wide
Illumination	1fc average, 0.1fc minimum

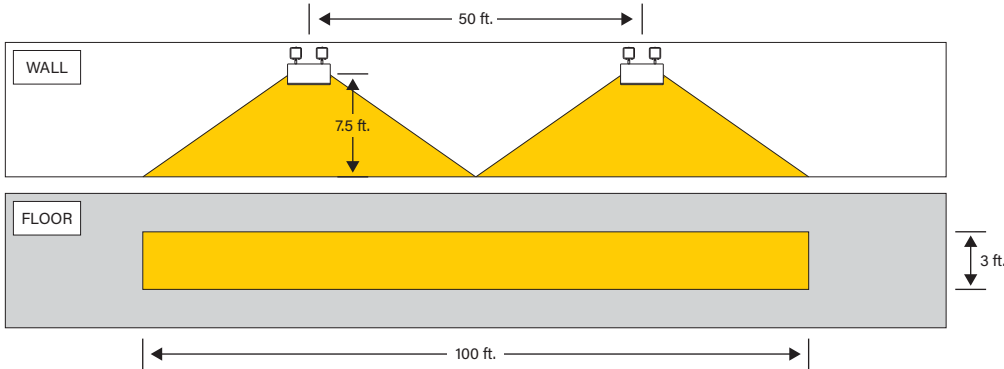
\*Spacing guidelines provided are for general reference only. Actual performance will vary based on each installation's unique dimensions, wall colors, floor type, and other factors. Please contact [lightinglayouts@keystonetech.com](mailto:lightinglayouts@keystonetech.com) for detailed layout assistance needs.

# KT-EM-STNC1-WHWL-SU-XX

## EMERGENCY LIGHT

### SPACING GUIDELINES (CONTINUED)

#### KT-EM-STNC1-WHWL-SU-HO



Multiple Unit Spacing	
Room Description	8' x 12' Hallway
Head Orientation	45° Rotation, 65° Tilt
Path of Egress	3' Wide
Illumination	1fc average, 0.1fc minimum

\*Spacing guidelines provided are for general reference only. Actual performance will vary based on each installations unique dimensions, wall colors, floor type, and other factors. Please contact [lightinglayouts@keystonetech.com](mailto:lightinglayouts@keystonetech.com) for detailed layout assistance needs.

### ORDERING INFORMATION

Catalog Number	Lumen Output	UPC	Easy Code
KT-EM-STNC1-WHWL-SU	400	843654165226	BEA-26
KT-EM-STNC1-WHWL-SU-HO	800	843654165233	OSS-40

### CATALOG NUMBER BREAKDOWN

# KT-EM-STNC1-WHWL-SU-XX

1 2 3 4 5 6 7 8 9

**1** Keystone Technologies

**2** Emergency Light

**3** Steel - NYC & Chicago Compliant

**4** Form Factor 1

**5** Housing Color

**6** Light Color

**7** Mounting

**8** Input Voltage

**9** High Lumen Output

**5** Housing Color

WH

White

**6** Light Color

WL

White Light

**7** Mounting

S

Surface Mount

**8** Input Voltage

U

120-277V

**9** Lumen Output

HO

High Output