

iPlayer 4

Date: _____
Type: _____
Firm Name: _____
Project: _____

500 Node

CONTROLLER

Author, configure, and control LED light shows in multiple zones with this next generation controller

Optimized for medium and large-scale LED lighting installations, iPlayer 4 is the successor to Light System Manager gen6 (Light System Engine) and works with Light System Composer software. With support for intricately designed installations containing thousands of LED nodes, iPlayer 4 offers the versatility to manage wide-ranging architectural, entertainment, and retail lighting environments. iPlayer 4 features a slim form factor, durable solid-state drive, and brackets for easy rack mounting installations.



- Easy to use - Featuring Ethernet-based (KiNET) control and automatic lighting system discovery, iPlayer 4 dramatically simplifies installation. A sophisticated new interface, including simple Zone, Scene, and Show management, an intuitive color pallet, and easy-to-use responsive UI allows simple configuration and operation with fewer clicks.
- Perfect for medium to large environments - iPlayer 4 processes simultaneous light output data for up to 15,000 individually controllable LED nodes within 90 universes, depending on configuration. Native control of Color Kinetics luminaires in 8 or 16-bit bit mode, including IntelliHue and Intelligent White luminaires means greater gamut control and flexibility.
- Zone and Scene management - Quickly upload Zones, Scenes, and Shows from Light System Composer. Create scenes in a specific zone and easily apply effects, tweak, and adjust as needed. Rename, update, or delete Shows or Scenes.
- Powerful palettes - Build the perfect color palette for any occasion, add, or delete colors, and apply colors throughout Scenes and Shows.
- Easy scheduling - Schedule and playback light shows, set event triggers, create show schedules, and easily select point-and-click static color scenes using the newly designed interface. Create and manage calendar events to automatically trigger show playback at a specific date/time or based on an astronomical event, such as sunrise or sunset, viewable by month or day.
- Dual configurable network ports - Two network ports support integration into existing network environments, while maintaining connectivity to a separate dedicated lighting network.
- Sophisticated API support - iPlayer 4 Device and Light Control API allows external system integration of Light Control, Calendar, and System settings possibilities.
- Interact Landmark integration - Interact Landmark is a cloud-hosted connected lighting system for architectural LED lighting installations. iPlayer 4 is fully integrated with Interact Landmark allowing you to remotely monitor, manage, and maintain multiple sites and iPlayer 4 devices from anywhere in the world, using a secure web connection. Trigger shows via Interact Landmark Content App.

For more information, please refer to <https://www.colorkinetics.com/global/products/controllers/iplayer4>

Specifications

Due to continuous improvements and innovations, specifications may change without notice.

Electrical

Input Voltage	100 to 240 VAC, auto-switching*
Power Consumption	180 W maximum

Control

Ethernet	Two configurable network ports
Network Data	KiNET Ethernet* protocol via standard Ethernet switch
Remote Management	Works with Interact Landmark
Remote Monitoring	Works with Landmark Gateway via Interact Landmark

Capability

Supported LED Nodes	Up to 500 nodes
Light Show Playback	> 100
API	Light Control API, and Device API
Multiple Zones	Supported

Authoring Software[‡]

ColorPlay 4 is our award winning next-generation creative authoring software features a powerful, easy-to-use creative authoring environment with timeline-based show creation, quick commissioning, and intuitive scheduling. See www.colorkinetics.com/global/products/controllers/colorplay4 for more information.

Show Designer is included with Light System Manager and is a legacy light show authoring software. See www.colorkinetics.com/global/products/controllers/light-system-composer for more information.

* KiNET is the Ethernet lighting protocol from Color Kinetics.

† Use PoE (Power-over-Ethernet) switches, or PoE injectors, when installing a lighting system containing one or more Antumbra Ethernet Keypads.

‡ ColorPlay 4, or Show Designer: Requires 64-bit Windows 10 or newer, or macOS 11 or newer, with at least 200 MB of free storage space, 1GB RAM

Physical

Dimensions	88 x 335 x 280 mm (3.46 x 13.2 x 11.0 in)
	88.0 x 481.8 x 280.0 mm (3.46 x 18.97 x 11.0 in) (Including rack mounting brackets)

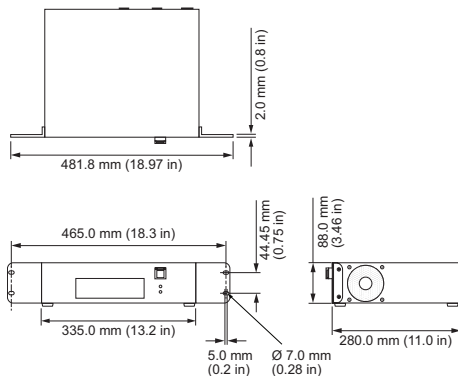
(Height x Width x Depth)

Weight	4.6 kg (10.1 lb)
Housing	Aluminium enclosure
Connector/Cable	(2) RJ45 ports, shielded. Cat. 5e or better data cable (not included)
Operating Temperature	0 to 35 °C (32 to 95 °F)
Humidity	0 to 90%, relative humidity, non-condensing

Certification and Safety

Certification	UL/cUL, FCC, CE, RCM, BIS
Environment	Dry Location

Dimensions



Part Numbers

Use Item Number when ordering in North America.

Controller	Item Number	Item 12NC
iPlayer 4, 500 Node Rack Mounting Brackets, North American and European power cords included.	103-000042-21	912400138004
Accessories		
Antumbra Ethernet Keypad	Visit www.colorkinetics.com/ls/controllers/ for ordering details	
Power over Ethernet Switch	120-000084-01	910503702557
Power over Ethernet Injector, North America Power Cord	109-000029-00	910503700383
Power over Ethernet Injector, Europe Power Cord	109-000029-01	910503700384



© 2024 Signify Holding. All rights reserved. Specifications are subject to change without notice. No representation or warranty as to the accuracy or completeness of the information included herein is given and any liability for any action in reliance thereon is disclaimed.

Color Kinetics
www.colorkinetics.com