

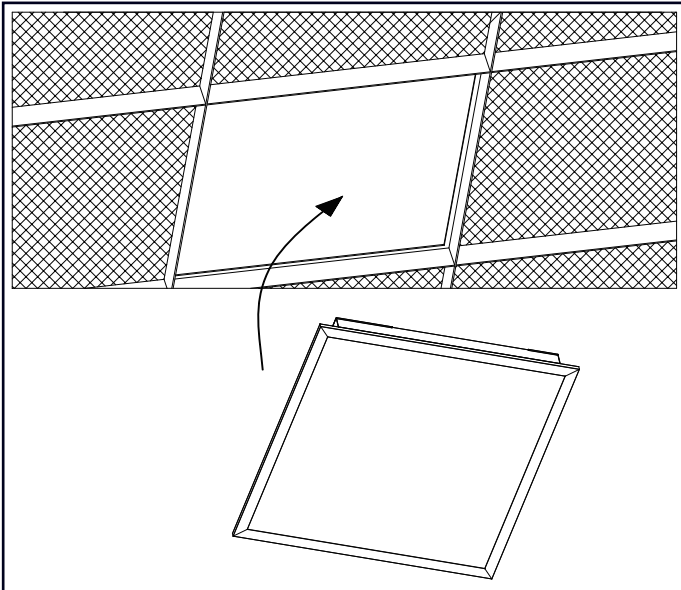
LED SENSOR READY BACKLIT PANEL - 5CCT & 5 WATTAGE SELECT LR24240, LR24243, LR24245

WARNING

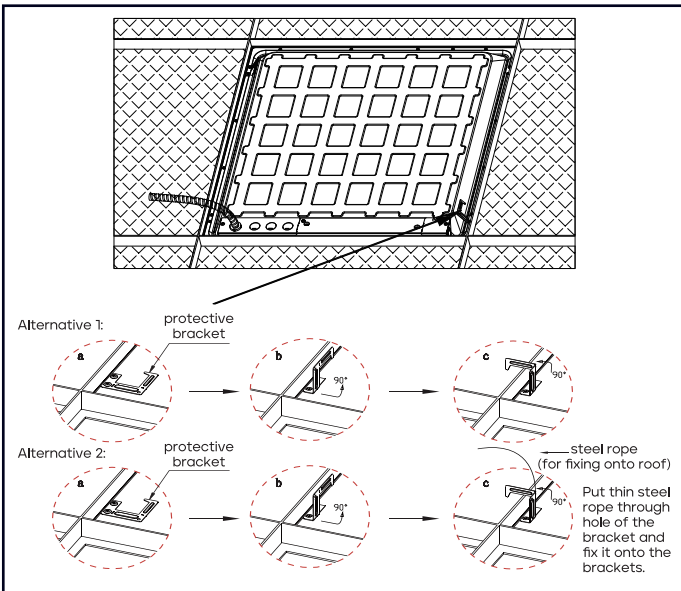
- * LED PANELS ARE NOT SUITABLE FOR USING IN WET LOCATIONS
- * PLEASE KEEP THE LED PANEL AWAY FROM ANY CORROSIVE SUBSTANCE, AND PLEASE USE DRY CLOTH WHEN YOU CLEAN IT
- * LED PANEL CAN ONLY BE INSTALLED BY A QUALIFIED ELECTRICIAN.
- * BEFORE INSTALLATION OR MAINTENANCE, PLEASE DISCONNECT THE POWER TO PREVENT ELECTRIC SHOCK.

RECESSED INSTALLATION

1. REPLACE EXISTING LIGHTING FIXTURE FROM CEILING WITH LED PANEL.



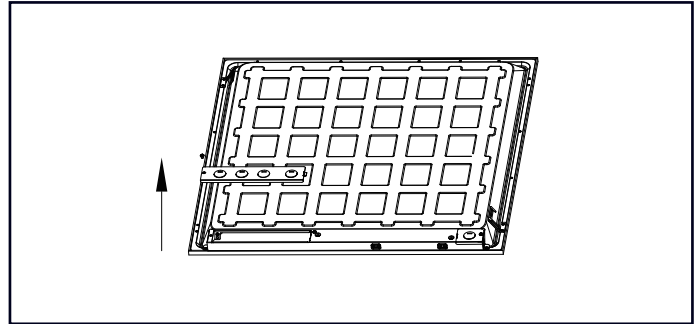
2. USE THE PROTECTIVE BRACKETS FOR THE SAKE OF SAFETY.



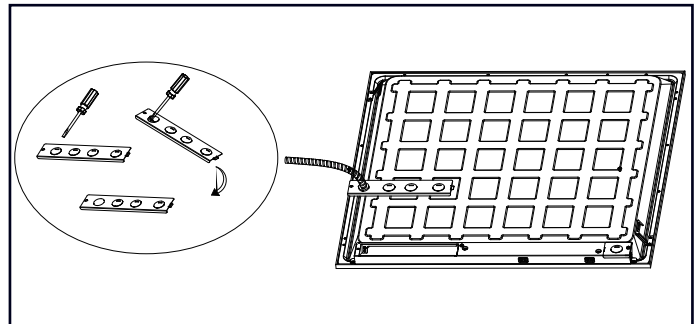
INSTALLATION GUIDE

IF SENSORS NEED TO BE INSTALLED, PLEASE REFER TO STEPS 5 AND 6.

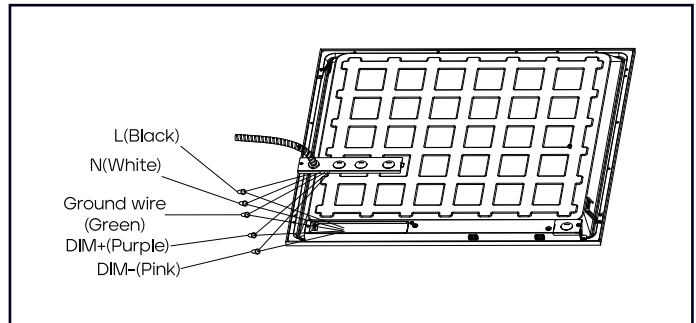
1. UNSCREW THE DRIVER COVER.



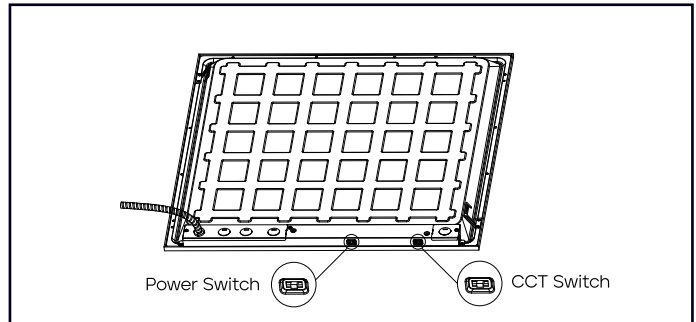
2. CONNECT THE CONDUIT TO THE DRIVER BOX.



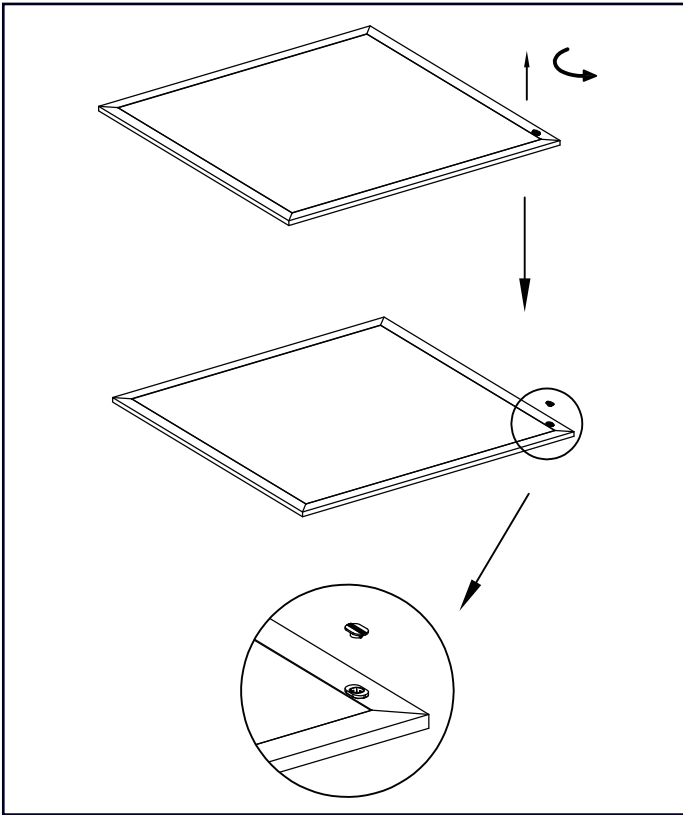
3. CONNECT OTHER WIRES SEPARATELY.



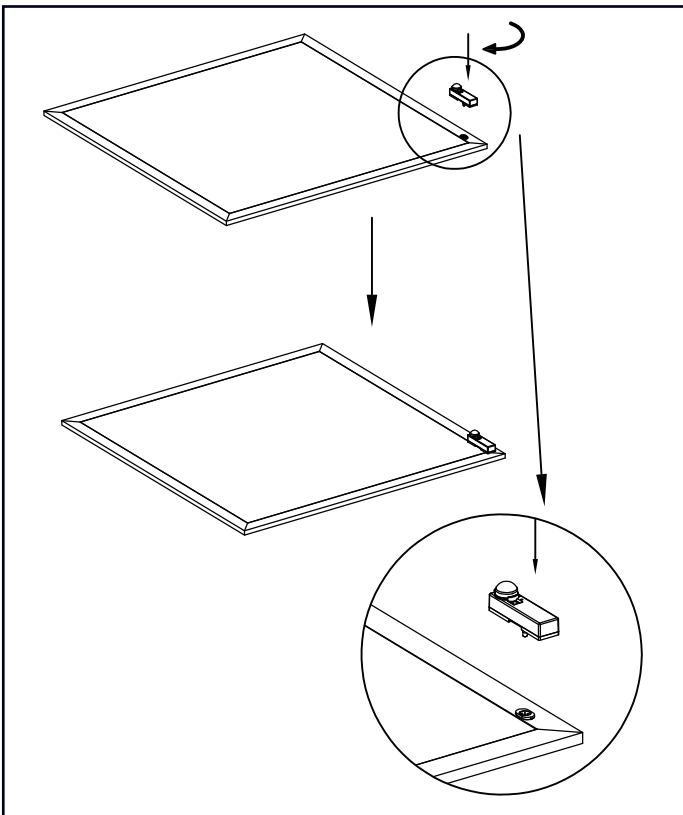
4. PUT BACK THE DRIVER COVER AND FIX IT BY SCREW.
SELECT ADJUSTABLE POWER AND COLOR TEMPERATURE.



5. ROTATE TO OPEN THE CAP OF SENSOR RECEPTACLE

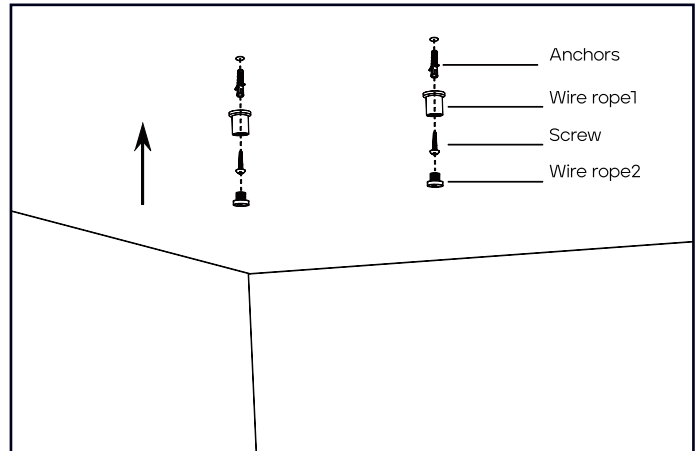


6. ROTATE AND SNAP INTO THE SENSOR

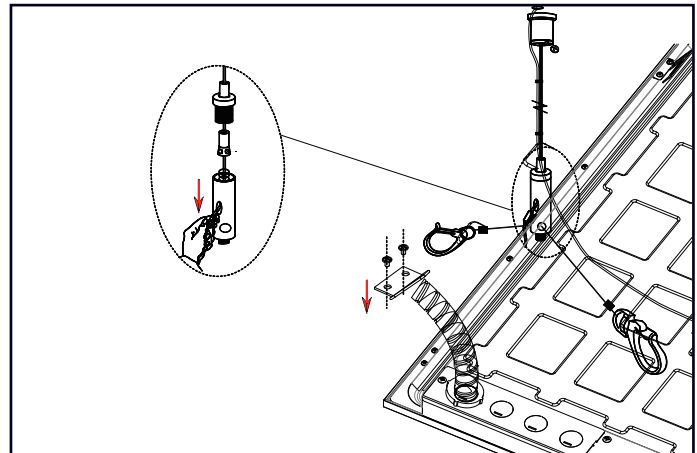


SUSPENSION KIT INSTALLATION

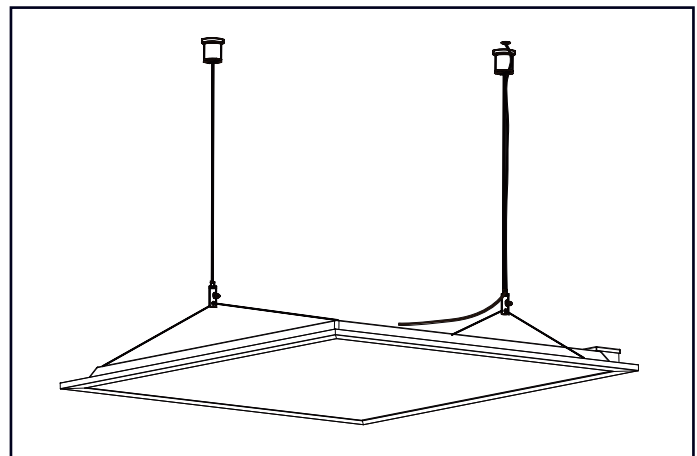
1. DRILL TWO HOLES IN THE CEILING, AND PUT THE ANCHORS INTO HOLE, THEN INSERT THE WIRE ROPE AND SCREW.



2. ADJUSTING THE HANGING ROPE MAKING THE PANEL IN A HORIZONTAL STATE.



3. THE INSTALLATION IS FINISHED.



NOTE: 2*2/1*4/2*4FT: 2 PCS SUSPENSION KITS NEEDED FOR INSTALLATION.

THE INSTALLATION MUST BE CARRIED OUT BY A QUALIFIED ELECTRICIAN.