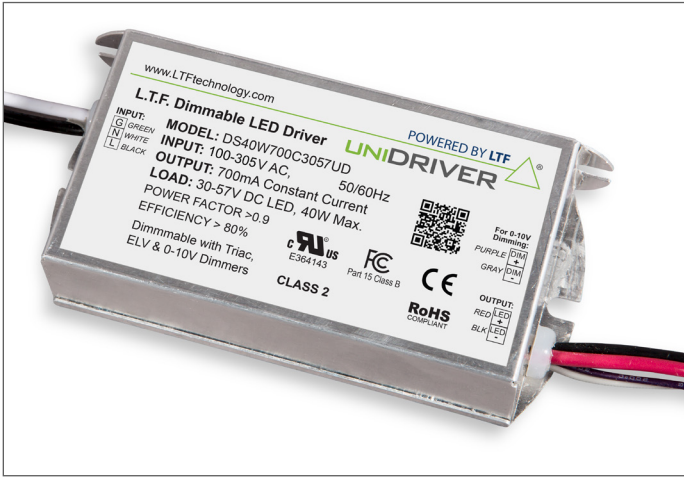


DS40W UniDriver 100-305V Series

Constant current-Constant voltage

UNIDRIVER[®]



Efficiency	>85%
Power Factor	>95%
Case TC	90°C Max.
Protection	Input / Output
Storage	-30°C / +90°C
Humidity	95% RH Max.
IP Rating	IP67
Class	Class 2 Power Supply
Dimming	Triac / ELV / 0-10V
Constant Voltage or Constant Current	12V - 57V or 700 - 2100 mA



- All-In-One dimming; Triac, ELV, and 0-10V dimming
- Universal input voltage; 100-305V AC
- Isolated output power per NEC and UL safety requirements
- UL recognized/Listed, UL8750, UL1310
- Auto-reset; Short circuit, overload and thermal protection
- Superior thermal performance
- Aluminum case with high W/m.K encapsulating material

FEATURES

- Low profile, small form factor, junction box mountable
- <30% flicker with excellent dimming range
- Class 2 power supply and other than Class 2 options
- Efficient, high power factor, low THD, FCC Class B

ELECTRICAL SPECIFICATIONS

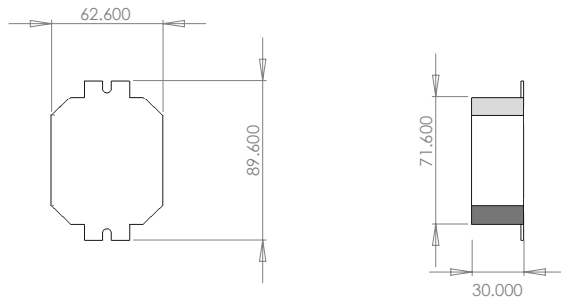
Constant Current				
Model Number	Input Voltage	Output Voltage	Output Current	Available Form Factor
DS40W700C3057UD	100-305V AC 50/60 Hz >0.90 PF <20% THD	30V - 57VDC	700 mA	BF2, SM2, LI2, F3, BF21
DS40W750C3054UD		30V - 54VDC	750 mA	BF2, SM2, LI2, F3, BF21
DS40W900C2545UD		25V - 45VDC	900 mA	BF2, SM2, LI2, F3, BF21
DS40W1000C2540UD		25V - 40VDC	1000 mA	BF2, SM2, LI2, F3, BF21
DS40W1050C2538UD		25V - 38VDC	1050mA	BF2, SM2, LI2, F3, BF21
DS40W1100C2536UD		25V - 36VDC	1100 mA	BF2, SM2, LI2, F3, BF21
DS40W1200C1534UD		15V - 34VDC	1200 mA	BF2, SM2, LI2, F3, BF21
DS40W1400C2028UD		20V - 28VDC	1400 mA	BF2, SM2, LI2, F3, BF21
DS40W2100C1219UD		12V - 19VDC	2100 mA	BF2, SM2, LI2, F3, BF21

Constant Voltage				
Model Number	Input Voltage	Output Voltage	Output Current	Available Form Factor
DS40W12VUD	100 - 305V AC 50/60 Hz > 0.90 PF < 20% THD	12VDC	3330mA	BF2, LS3, SM2, F3, BF21
DS40W24VUD		24VDC	1660mA	BF2, LS3, SM2, F3, BF21

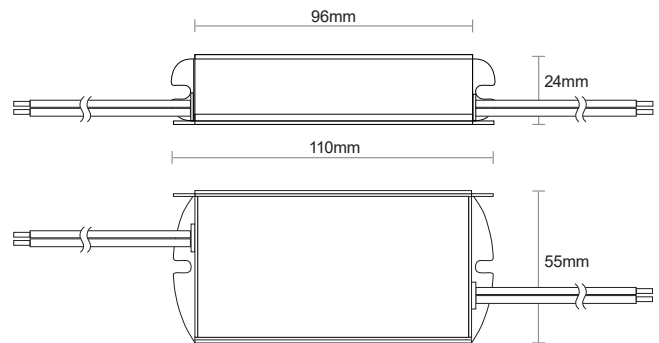
MECHANICAL SPECIFICATIONS

FORM FACTORS	DIMENSIONS
F3	71.6 x 62.6 x 30mm
SM2	110 x 55 24mm
LI2	132 x 40 x 22mm
BF2	92 x 52 x 30mm
BF21	92 x 52 x 30mm
LS3	282 x 30 x 20mm

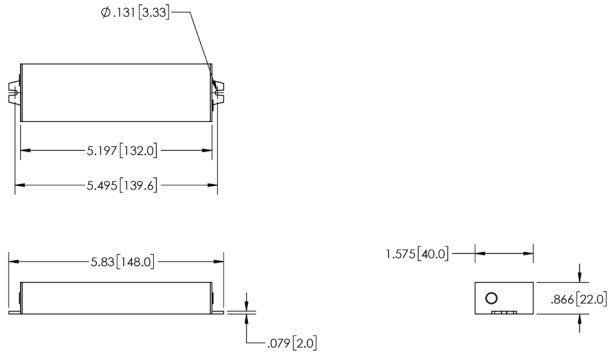
F3



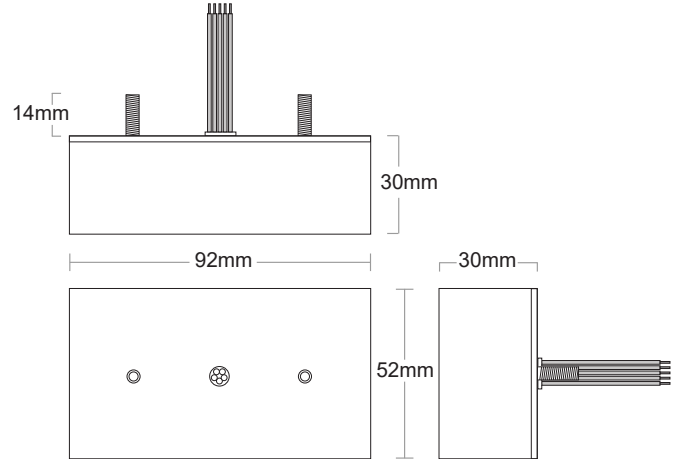
SM2



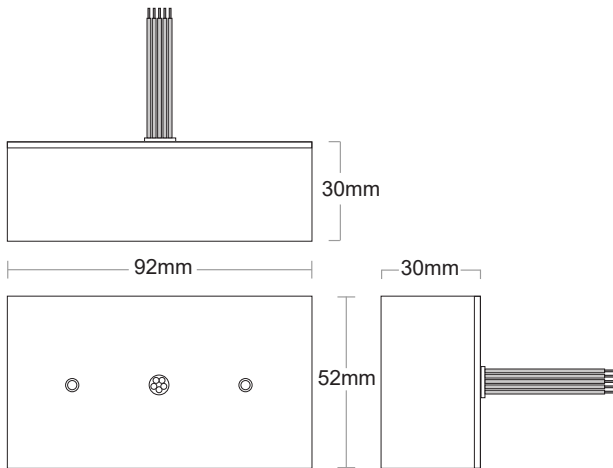
LI2



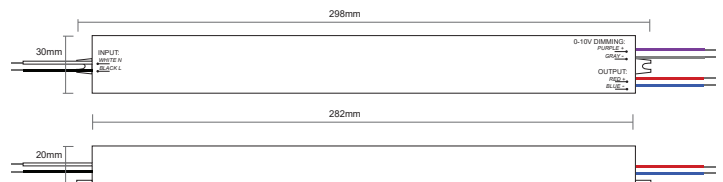
BF2



BF21

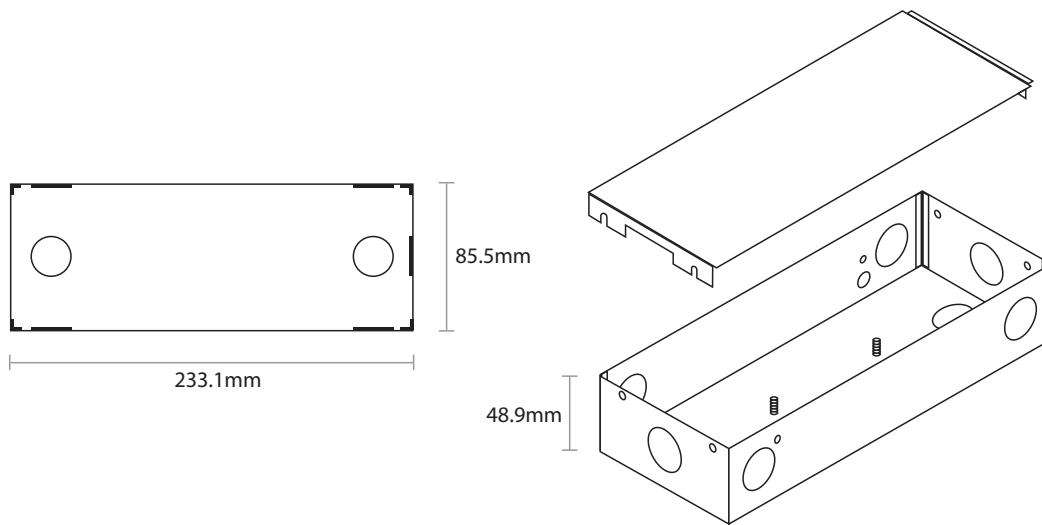


LS3



REMOTE ENCLOSURE OPTIONS		
Model Number	Remote Enclosure	DIMENSIONS
LDS40WXXXXRE	G2	233.1 x 85.5 x 48.9mm
LDS40WXXXXREO	G3	242 x 103 x 56mm

G2



G3

