

NXSMDT Series

INDOOR CEILING MOUNT SENSOR - OMNI

FEATURES

- Integrated 2.4GHz Wireless Mesh and Bluetooth radio for easy commissioning and communication
- Digitally configurable Dual Technology Ultrasonic (US) and Passive Infrared (PIR) detection technologies
- Adjustable coverage area up to 2,000 square feet
- Integrated Hybrid Daylight Sensor for daylight harvesting
- Device configuration through NX Lighting Controls Mobile App and NX Area Controller
- Patented IntelliSCOPETM technology enabled providing real time visibility of motion (US and PIR) for improved accuracy of sensor sensitivity and time delay adjustments
- Simple plug-and-play connection to NX Room Controllers
- Five-year limited warranty



SPECIFICATIONS

CONSTRUCTION

- Housing: Rugged injection molded plastic, PolyLac FR-ABS, (UL-94 5VA) flame class rating
- Color: White, Black, Gray
- 5.0oz (141.7g)
- Dimensions: 4.0" (101.60mm) W x 1.5" (38.10mm) H

MOUNTING

- Mounting base provided
- Recommended Mounting Height: 8 ft (2.44m) with a max mounting height of 12ft (3.66m)

ELECTRICAL

- Input
 - Input Voltage: 12-24VDC supplied by NX Room Controller (p/n NXRCFX -not included)
 - Power Consumption: 55mA

OPERATING ENVIRONMENT

- Rated for Indoor Use Only
- Operating temperature: 32°F to 104°F (0°C to 40°C)
- Relative humidity (non-condensing) 0% to 95%

WIRELESS

- 2.4GHz: IEEE 802.15.1 based
- Bluetooth® Version V5.2

SENSOR

- Detection Technology: Passive Infrared and Ultrasonic (Selectable)
- 1:2.75 Coverage Pattern (mounting height: coverage radius)
- Coverage: Adjustable up to 2,000 square feet
- Max Mounting Height 12ft
- LED Indicator (Red) indicates infrared motion detection
- LED Indicator (Green) indicates ultrasonic motion detection

PROGRAMMING INTERFACE

- NX Lighting Controls Mobile App
- NX Area Controller (NXAC2) for Network Applications

CERTIFICATIONS

- cULus Listed
- Complies with FCC Part 15.247
 - FCC ID: YH9NXSMDT-OMNI
 - IC: 9044A-NXSMDTOMNI
- This product meets federal procurement law requirements under the Buy American Act (FAR 52.225-9). See [Buy America\(n\) Solutions](#).

WARRANTY

- 5 year limited warranty
- See website for additional information

NXSMDT Series

INDOOR CEILING MOUNT SENSOR - OMNI

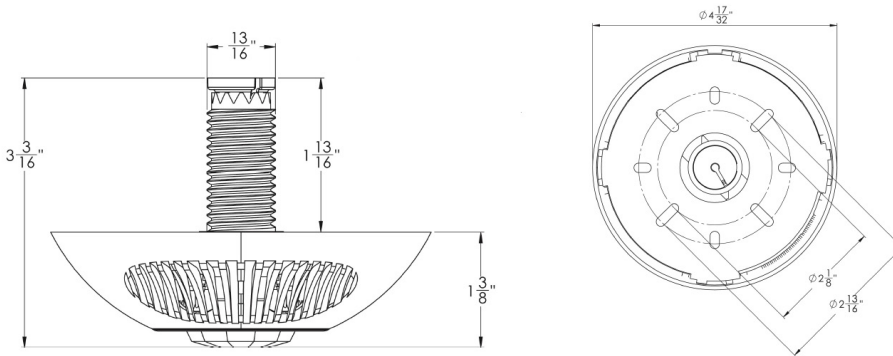
ORDERING GUIDE

Example: NXSMDT-OMNI-BK

 CATALOG #

NXSMDT	OMNI	Color	BAA*
Model	Sensor Type	Blank White BK Black ¹ GY Gray ¹	Blank Standard Product * See Buy American Solutions below
NXSMDT	OMNI² Indoor Ceiling Mount Sensor		

DIMENSIONS



*Buy American Solutions
BAA FAR §52.225-9
NXSMDT-OMNI-U

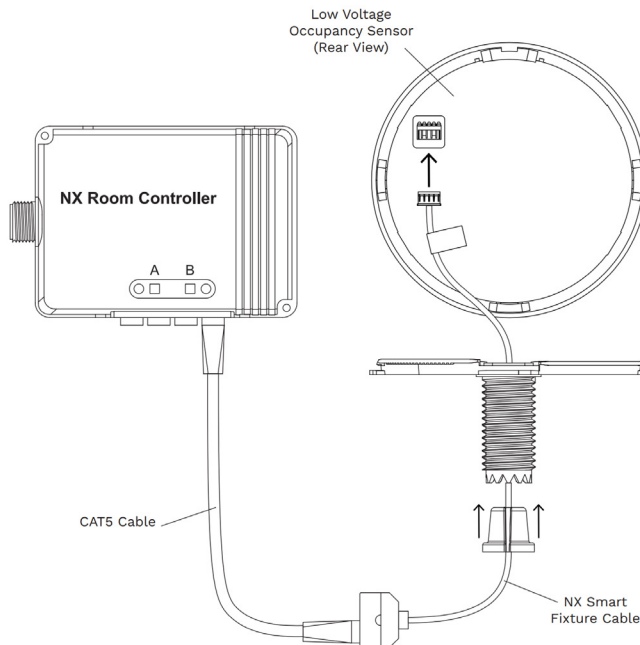
Notes:

- Made to Order Options; Consult Factory for Lead Times
- Dual RJ45 NXCBL Cable included with NXSMDT OMNI

*Please see Buy American Solutions table above

ADDITIONAL INFORMATION

Wiring Diagrams

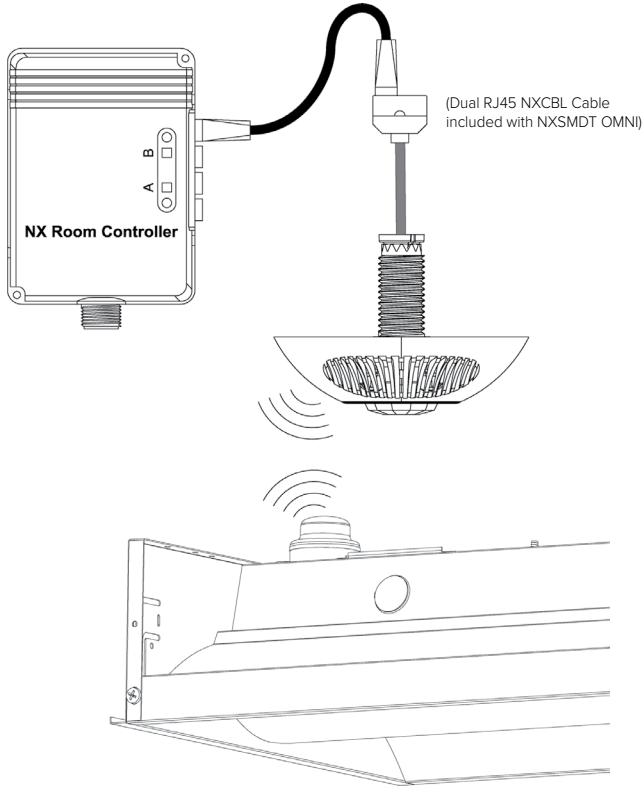

NXSMDT-OMNI with NXRCFX2 Room Controller

NXSMDT Series

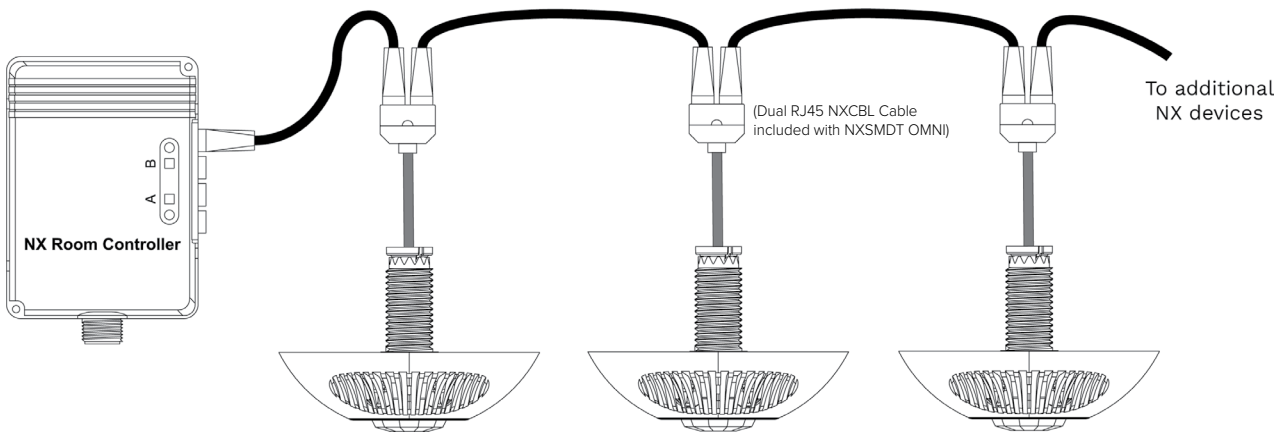
INDOOR CEILING MOUNT SENSOR - OMNI

ADDITIONAL INFORMATION (CONTINUED)

Wiring Diagrams (continued)



NXSMDT-OMNI Wireless Configuration with NX Enabled Luminaires



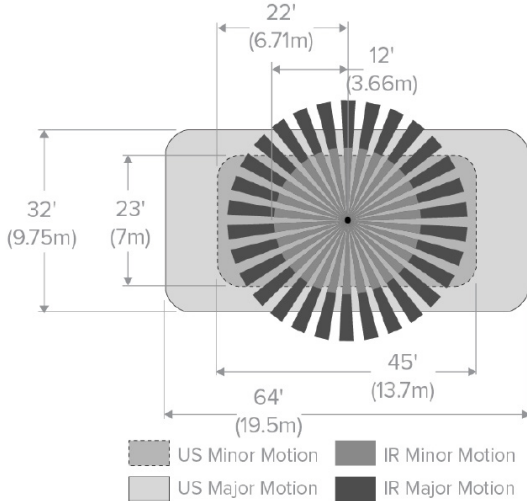
NXSMDT-OMNI Wired Configuration with NX Room Controller and Multiple NXSMDT Sensors

NXSMDT Series

INDOOR CEILING MOUNT SENSOR - OMNI

ADDITIONAL INFORMATION (CONTINUED)

Coverage Pattern



***NOTE:** Coverage pattern dimensions shown is based on 2,000 sq ft. (Sensor coverage is adjustable)

Default Settings

Occupancy Sensor Modes	PIR & US; PIR Only; US Only; Default: PIR & US
Occupancy Sensor Sensitivity	Levels 1 (Low) - 10 (High); Default: PIR 7, US 7
Occupancy Sensor Timeout	1 Sec - 20 Minutes 59 Seconds; Default: 15 Minutes
Occupied When	Motion detected by PIR AND US; Motion detected by PIR OR US; Default: Motion detected by PIR AND US
Unoccupied When	No motion detected by PIR AND US; No motion detected by PIR OR US; Default: No motion detected by PIR AND US
Daylight Sensor Modes:	Closed Loop Full Range Dimming; Closed Loop On/Off; On/Off; Disabled; Default: Disabled
Bluetooth Radio Modes:	Enabled; Disabled; Default: Enabled
LED Status Modes:	Off; Passive Infrared (Red); Ultrasonic (Green); Both Enabled; Default: Both Enabled
Passcode	Enabled; Disabled; Default: Enabled (Factory Passcode: HubbN3T!)